

# はじめに

1. 本パーツカタログは、超ミニバックホー・ヤンマースコッピー B08の追補版(最終版)パーツカタログです。
2. パーツカタログ来歴

	パーツカタログNo.	完成年月	記載形式数	備考
初 版	000Y00K2690	1991年 5月	8形式	廃却願います
追 補 版	000Y00K2691	1996年 1月	13形式	廃却願います
追 補 版	000Y00K2692	1999年11月	20形式	廃却願います
追補板(最終板)	000Y00K2693	2002年12月	20形式	

3. 記載形式

SECTION	記載欄	記載形式	M/#	生産年月
I (本機)	(A) 欄	B08 G (国内: グリーン)	00501~	91/ 1~
	(B) 欄	B08 Y (国内: イエロー)	00504~	91/ 2~
	(C) 欄	B08 EX (欧州除く海外)	02660~	93/10~
	(D) 欄	B08 AY (欧州)	03629~	95/ 7~
II (エンジン)	(A) 欄	3TN66A-(E) UB	24995~	90/10~

4. 本パーツカタログは、整備要領などを示した技術資料ではありません。イラストは一部簡略化したものを使用しております。又、ヤンマー製品の整備には必ず、『ヤンマー純正部品』をご使用下さい。市販の類似品を使用し修理されると早期破損などの原因となりますのでご注意ください。

# P R E F A C E

1. This Parts Catalog carries the parts of Super-mini backhoe, Yanmar Scopy B08.
2. Parts catalog history

	Parts catalog NO.	Published	Remarks
1st edition	000Y00K2690	May., 1991	Disuse old edition
1st revised	000Y00K2691	Jan., 1996	Disuse old edition
2nd revised	000Y00K2692	Nov., 1999	Disuse old edition
last edition	000Y00K2693	Dec., 2002	

3. Model name

SECTION	Column	Model name	M/#	Manufactured
I (Vehicle)	(A)	B08 G (GREEN)	00501~	91/ 1~
	(B)	B08 Y (YELLOW)	00504~	91/ 2~
	(C)	B08 EX (EXPORT)	02660~	93/10~
	(D)	B08 AY (EUROPE)	03629~	95/ 7~
II (Engine)	(A)	3TN66A-(E) UB	24995~	90/10~

4. Your understanding is asking that this parts catalog is not a technical data manual setting forth as servicing procedures, This parts catalog is using simplified illustration. Be sure to use Yanmar Genuine Parts in your maintenance servicing of Yanmar products. Be careful not to use the simple parts available in the market, otherwise their use in repairing causes such as an early breakage, for instance.

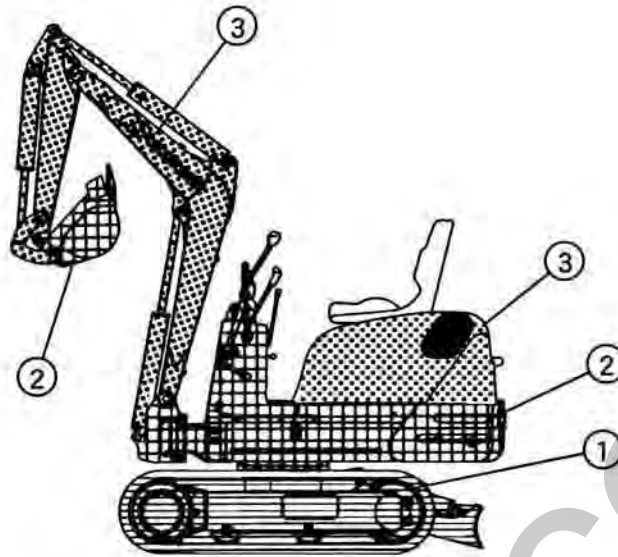
## 要目表

名 称		ヤンマークローラバックホー		
形 式		<b>B08</b>		
		固定脚仕様	可変脚仕様	
エンジン	名 称	3TN66L-UB		
	形 式	立形水冷3気筒ディーゼル		
寸 法	輸 送 時 全 長	mm	2820	
	輸 送 時 全 幅	mm	780	
	輸 送 時 全 高	mm	1320	
性 能	バケット容量 (標準)	m <sup>3</sup>	0.022 (旧JIS表示 0.02)	
	バケット幅 (標準)	mm	350	
	最大掘削深さ	mm	1550 (1650: ブレード使用時)	
	最大掘削高さ	mm	2770	
	最大ダンプ高さ	mm	1980	
	床面最大掘削半径	mm	2750	
	フロント最小旋回半径 (スイング時)	mm	1040 (780: 右ブームスイング時)	
	ブームスイング角	度	左50・右90	
	最大掘削力 (バケット)	kN (kgf)	11.8 (1200) [旧JIS表示 9.8 (1000)]	
	走 行 速 度	km/h	2.0	
	登 板 能 力	度	30	
	接 地 圧	kPa (kgf/cm <sup>2</sup> )	22.6 (0.23)	25.5 (0.26)
ブレード	履 帯 幅 ( 標 準 )	mm	180	
	幅 × 高さ	mm	780×180	
	排 土 量	m <sup>3</sup>	0.025	
機 械 質 量		kg	780	890
バ ッ テ リ ー 形 式 容 量		46B24L (NS60-L) / 12V・36Ah (5時間率容量)		

## SPECIFICATIONS

Name			YANMAR CRAWLER BACKHOE
Model			<b>B08</b>
Engine	Model		3TN66L—UB
	Type		Vertical 3-cylinder water-cooled diesel
Dimensions	Transport length	mm	2820
	Transport width	mm	780
	Transport height	mm	1320
Std. bucket capacity		m <sup>3</sup>	0.022
Std. bucket width (Outside)		mm	350
Max. digging depth		mm	1550 (1650 : Blade)
Max. cutting depth		mm	2770
Max. dump height		mm	1980
Max. reach at ground level		mm	2750
Min. swing radius		mm	1040 (780 Boom swing)
Boom swing angle		degree	Left 50 · Right 90
Max. digging force (Bucket)		kN (kgf)	11.8 (1200)
Travel speed		km/h	2.0
Gradability		degree	30
Average ground pressure		kPa (kgf/cm <sup>2</sup> )	22.6 (0.23)
Track shoe width		mm	180
Blade	Width × height	mm	780×180
	Capacity	m <sup>3</sup>	0.025
Machine mass		kg	780
Battery			46B24L (NS60-L) / 12V. 36Ah

# 1 [ 本機塗装色 VEHICLE PAINTED COLOR ]



部所 Part	表示 Desc- ription	塗装色 マンセル記号	Painted Color Munsel No.	色区分 Color Code	
①		ヤンマーチャコールグレー N2.0	YANMAR Charcoal Gray N2.0	71	(注1) (Note1)
		ヤンマーディープグリーン 6.36BG 2.11/1.76	YANMAR Deep Green 6.36BG 2.11/1.76	82	(注2) (Note2)
②		ヤンマーウォームグレー 7Y5.3/0.8	YANMAR Warm Gray 7Y5.3/0.8	73	
③		ヤンマーエメラルドグリーン 1BG6.4/8.5	YANMAR Emerald Green 1BG6.4/8.5	76	(注3) (Note3)
		ヤンマーミントグリーン 1BG7/8	YANMAR Mint Green 1BG7/8	85	(注4) (Note4)
		ヤンマーサフランイエロー 1.0Y7.5/11	YANMAR Saffron Yellow 1.0Y7.5/11	70	

(注1) (Note1)	旧塗装色 PREVIOUS COLOR	実施号機 Effective Machine No.	M/#00501~M/#01374
(注2) (Note2)	新塗装色 NEW COLOR	実施号機 Effective Machine No.	M/#01375~
(注3) (Note3)	旧塗装色 PREVIOUS COLOR	実施号機 Effective Machine No.	M/#00501~M/#01830
(注4) (Note4)	新塗装色 NEW COLOR	実施号機 Effective Machine No.	M/#01831~

## 2 [ 塗料部品番号 ] PAINT PART NO.

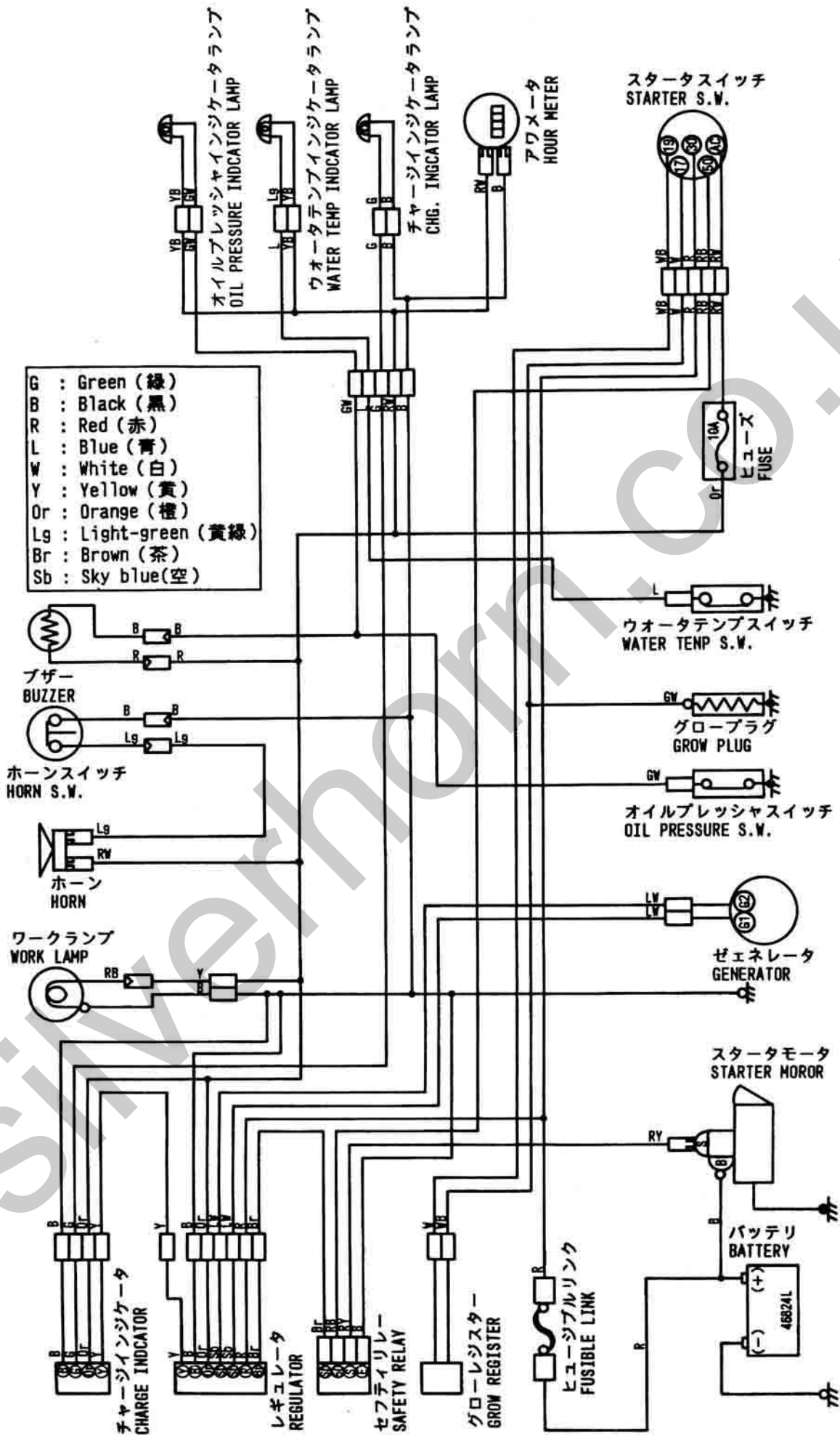
部所 Part	塗装色 Paint Color	塗料部品番号 (Paint Part No.)			
		16L缶(16L Can)	4L缶(4L Can)	スプレー(SPRAY)	
①	ヤンマーチャコールグレー YANMAR Charcoal Gray	981101-09516	977620-40710	977620-30371	(注1) (Note1)
	ヤンマーディープグリーン YANMAR Deep Green	981101-09517	977620-40820	977620-30N31	(注2) (Note2)
②	ヤンマーワームグレー YANMAR Warm Gray	-----	-----	TOR-90450003	
③	ヤンマーエメラルドグリーン YANMAR Emerald Green	933110-91764	-----	977620-30761	(注3) (Note3)
	ヤンマーミントグリーン YANMAR Mint Green	981101-09700	977620-40850	977620-30851	(注4) (Note4)
	ヤンマーサフランイエロー YANMAR Saffron Yellow	933110-91603	-----	977620-30381	

## 3 [ 主要部品の塗装色 ] COLOR OF MAIN PARTS

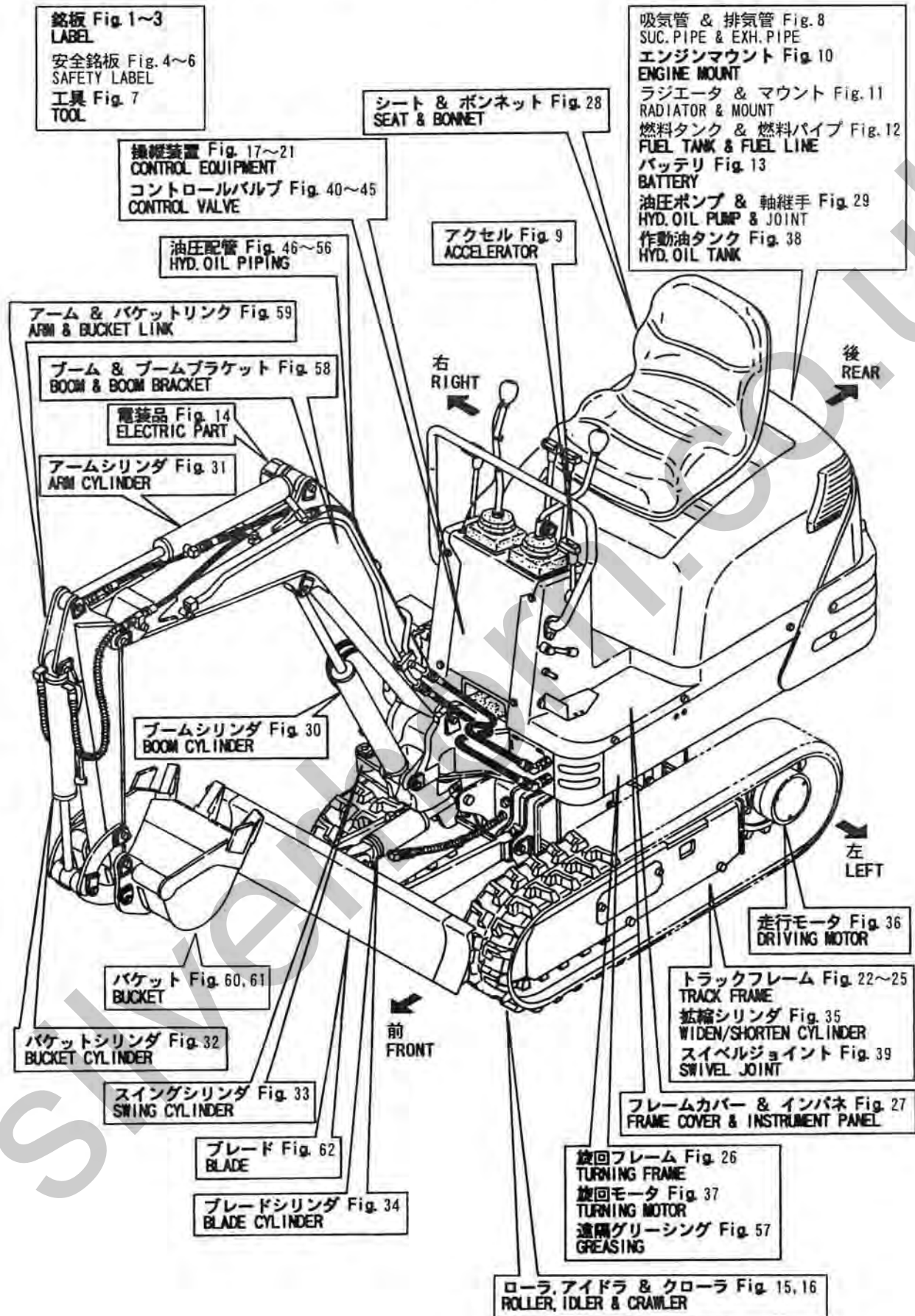
部所 Part	塗装色 Paint Color	主な部品	Main Parts	
①	ヤンマーチャコールグレー YANMAR Charcoal Gray	走行フレーム部 プレート トラックシュー	driving frame part blade track shoe	(注1) (Note1)
	ヤンマーディープグリーン YANMAR Deep Green			(注2) (Note2)
②	ヤンマーワームグレー YANMAR Warm Gray	操作部、バケット エンジン廻り 燃料タンク、リザーブ 旋回フレーム部	operation part, bucket engine related fuel tank, reserver turning frame part	
③	ヤンマーエメラルドグリーン YANMAR Emerald Green	作業機部 ボンネット	operation machine part bonnet	(注3) (Note3)
	ヤンマーミントグリーン YANMAR Mint Green			(注4) (Note4)
	ヤンマーサフランイエロー YANMAR Saffron Yellow			(注4) (Note4)

(注1) (Note1)	旧塗装色 PREVIOUS COLOR	実施号機 Effective Machine No.	M/#00501~M/#01374
(注2) (Note2)	新塗装色 NEW COLOR	実施号機 Effective Machine No.	M/#01375~
(注3) (Note3)	旧塗装色 PREVIOUS COLOR	実施号機 Effective Machine No.	M/#00501~M/#01830
(注4) (Note4)	新塗装色 NEW COLOR	実施号機 Effective Machine No.	M/#01831~

# 配線図 WIRING DIAGRAM

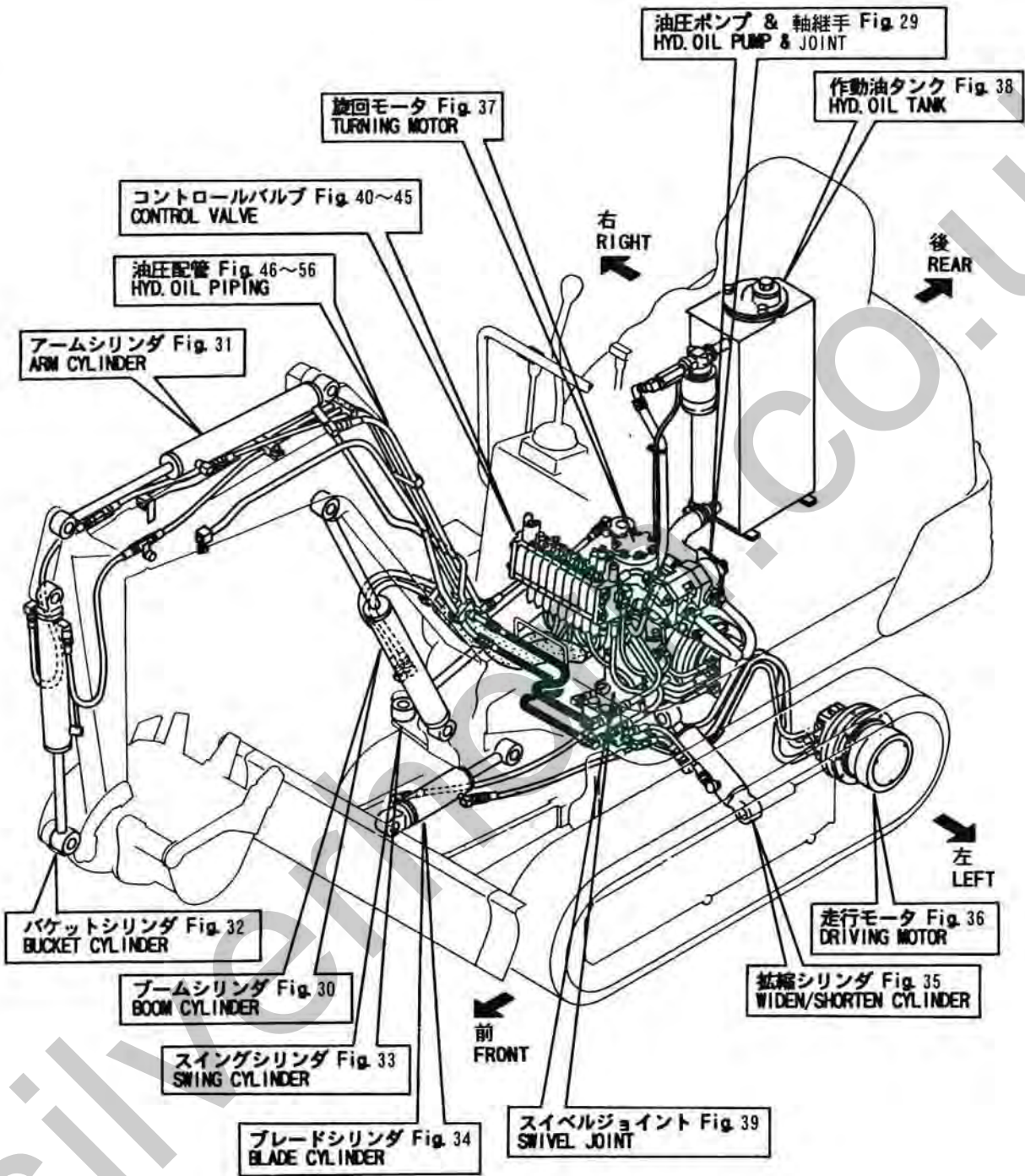


絵目次 (1) . . . . . 主要部分  
 PICTURESQUE INDEX(1) . . . MAIN PARTS

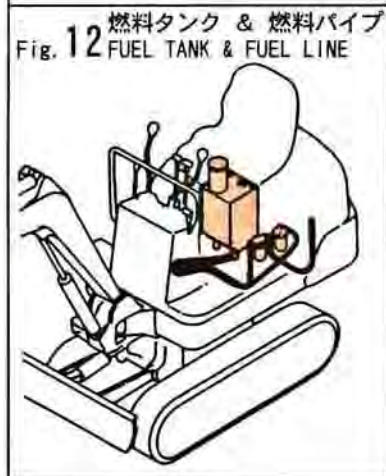
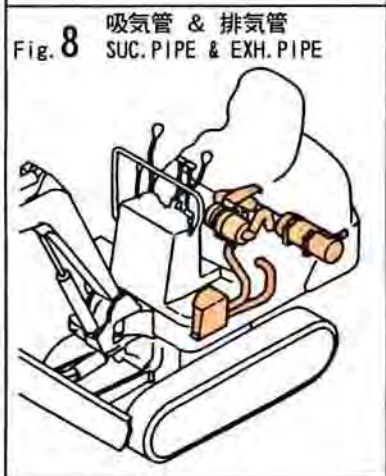
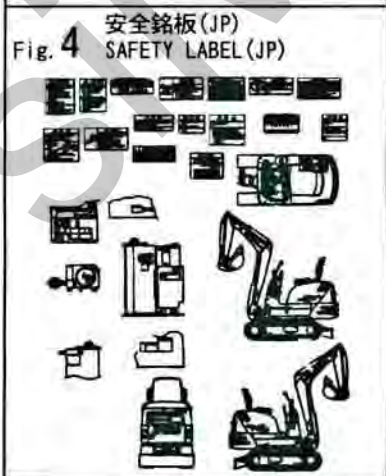
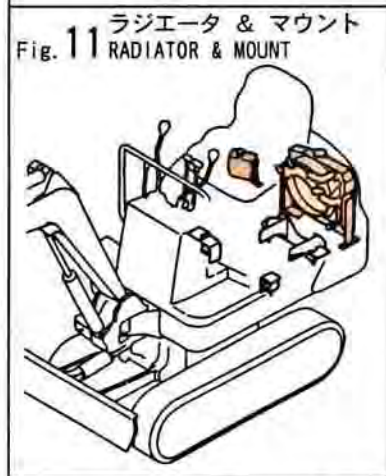
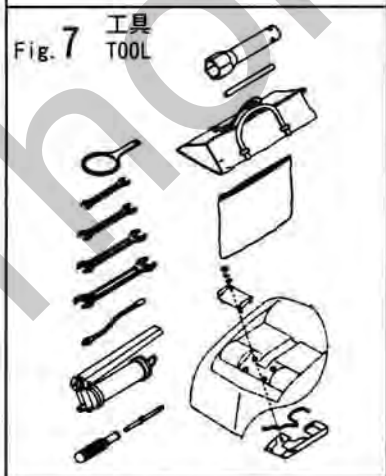
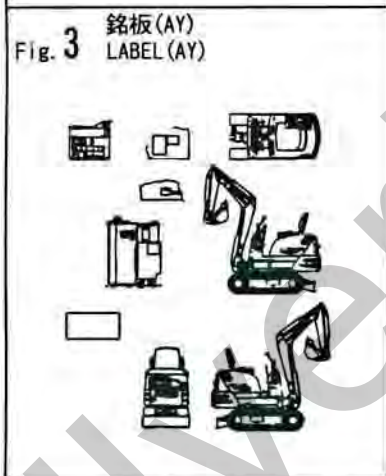
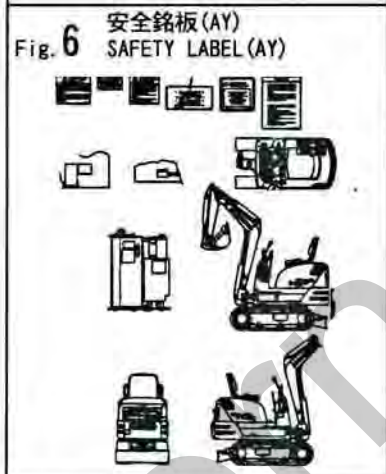
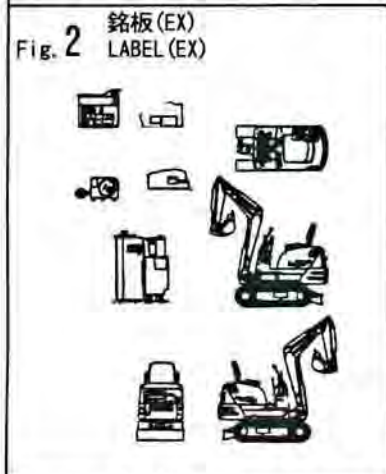
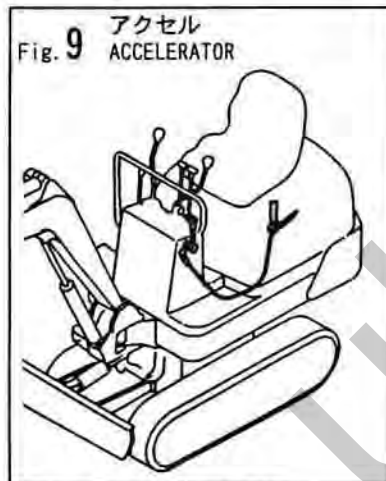
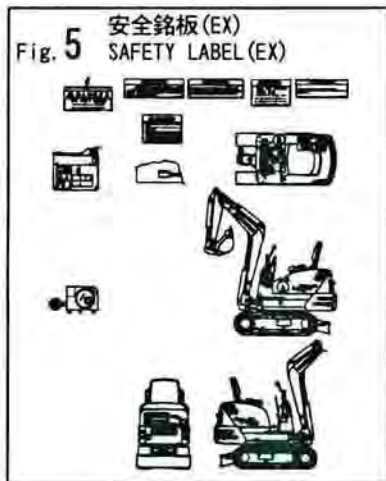
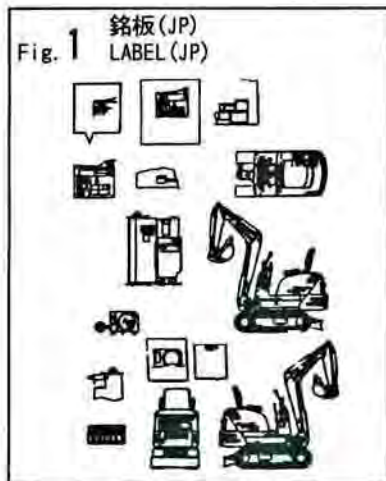




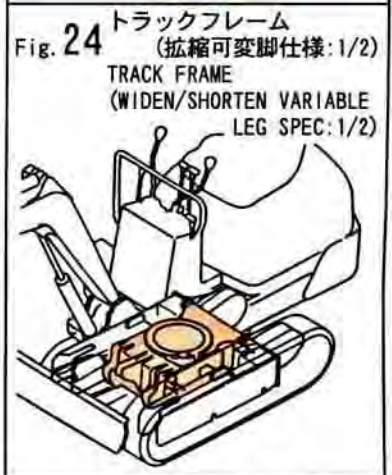
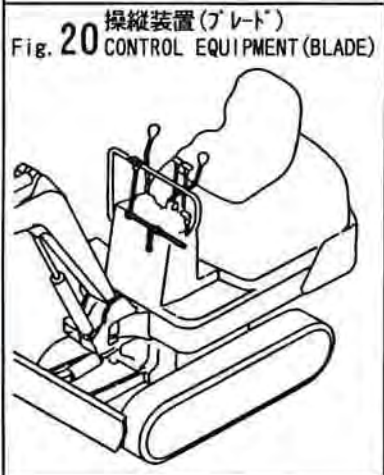
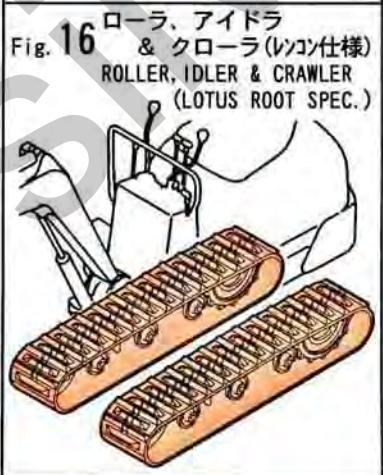
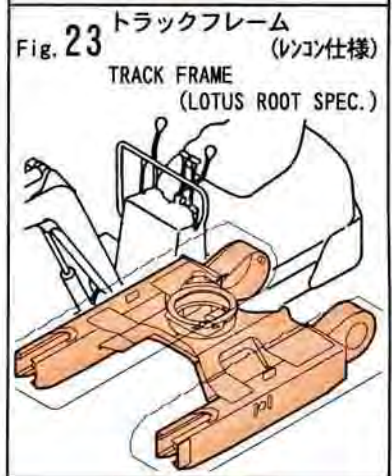
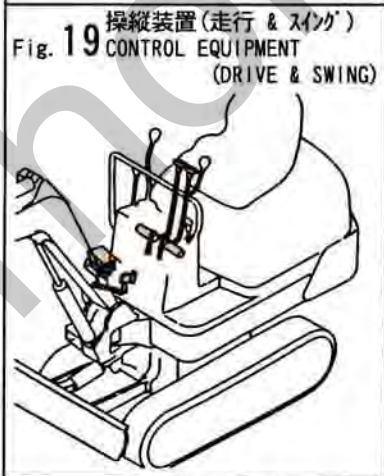
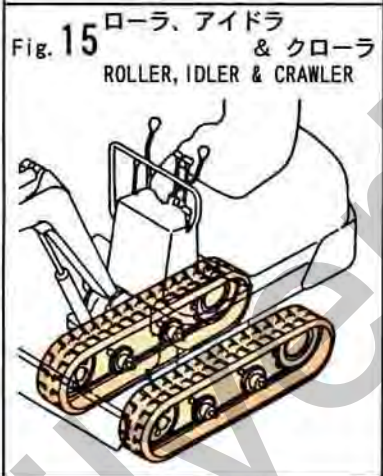
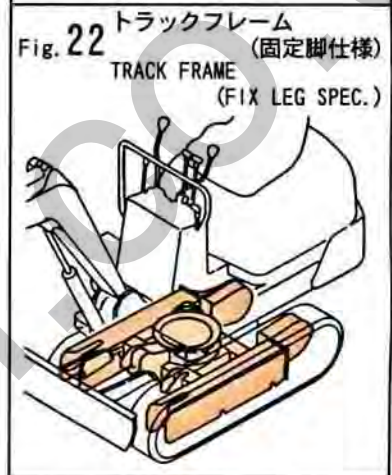
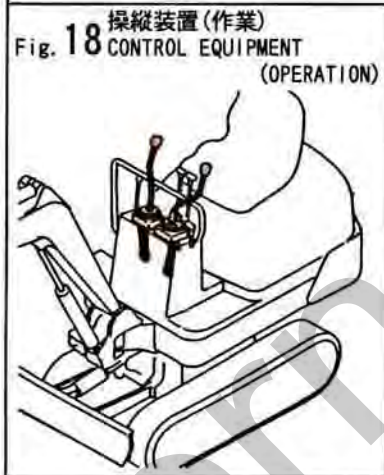
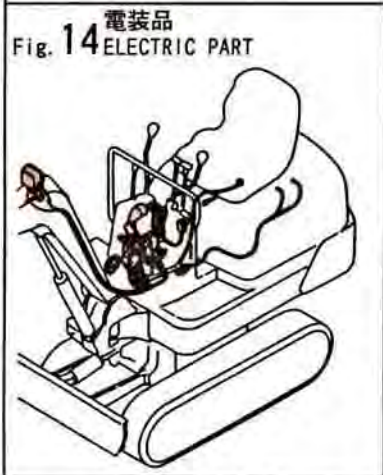
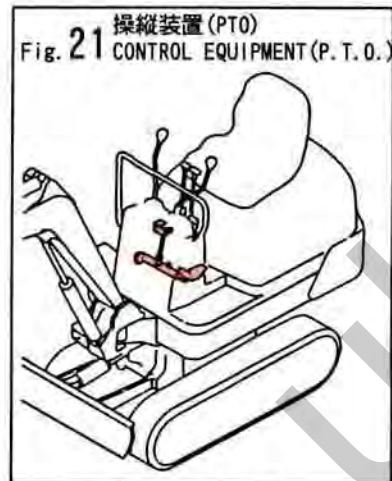
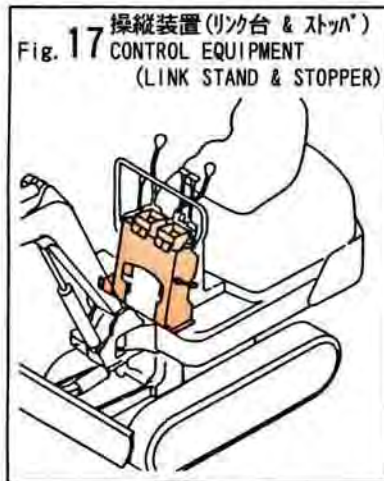
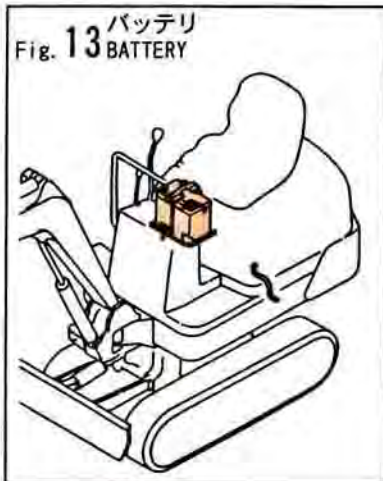
絵目次 (2) . . . . . 油圧関係  
PICTURESQUE INDEX(2) . . . . . HYDRAULIC SECTION



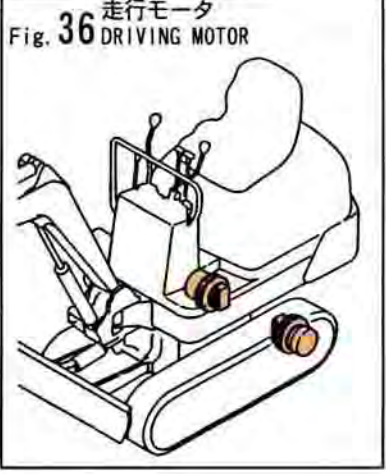
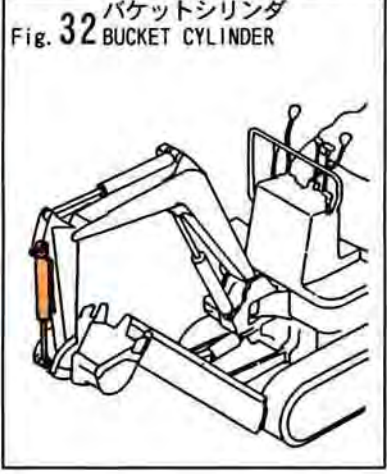
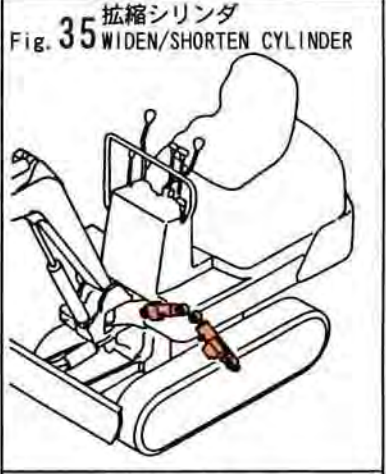
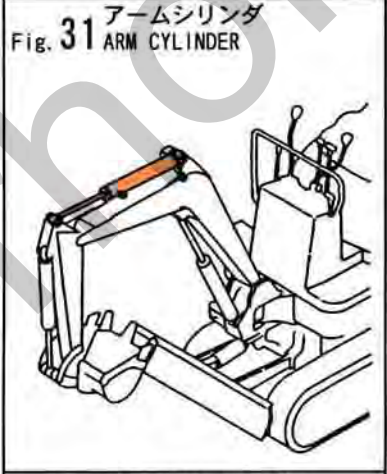
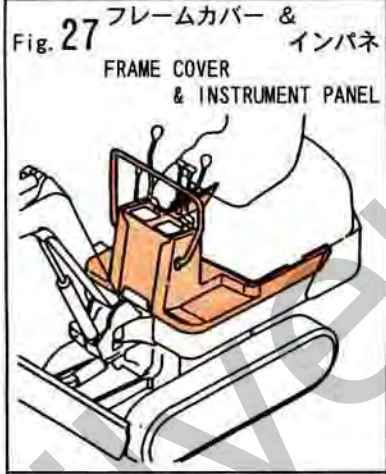
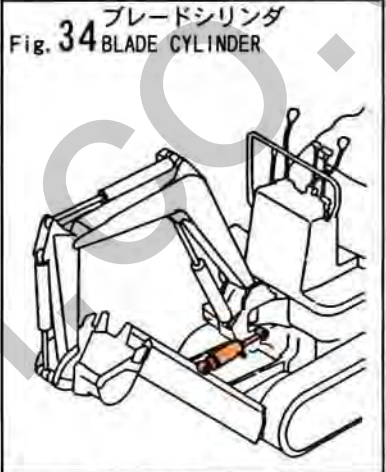
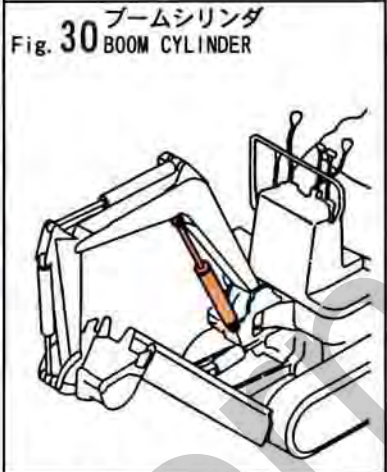
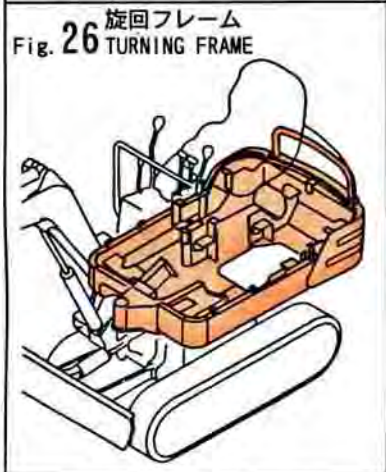
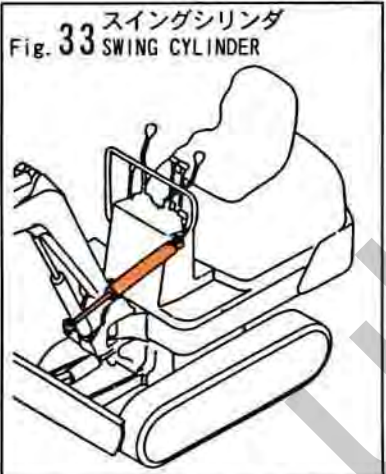
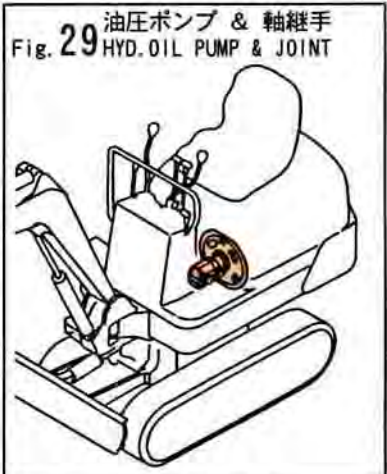
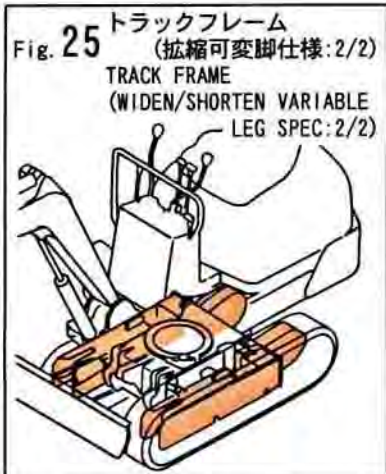




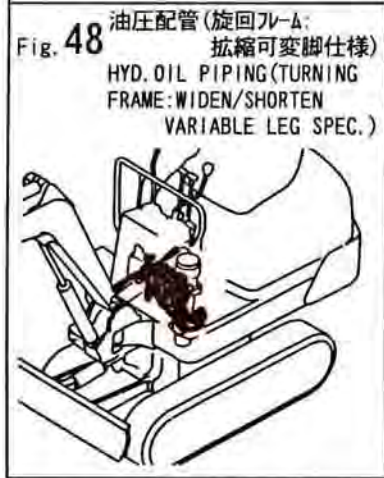
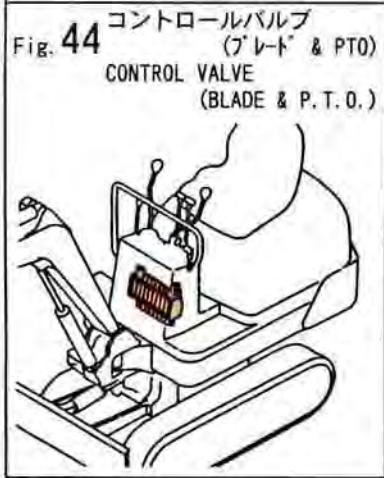
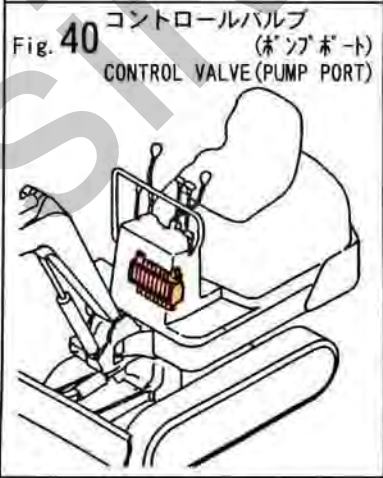
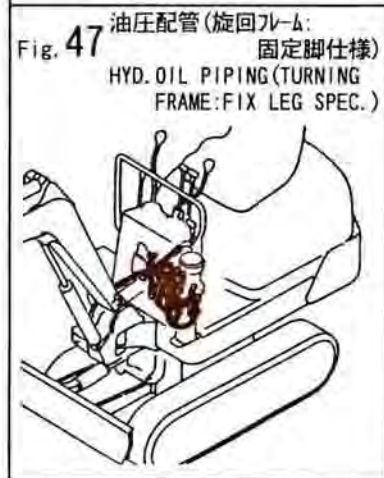
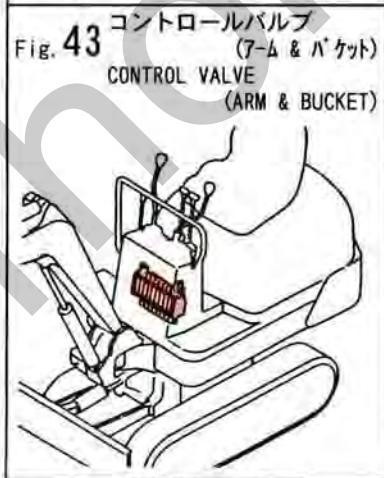
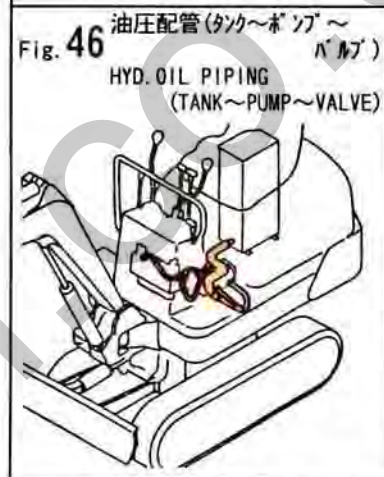
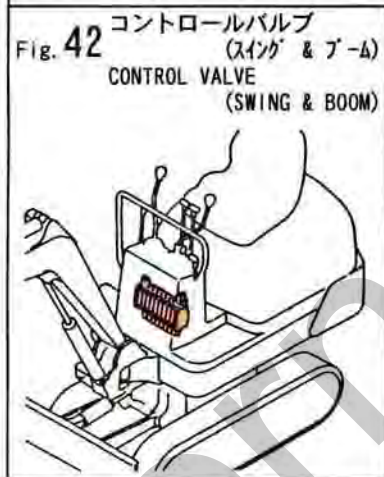
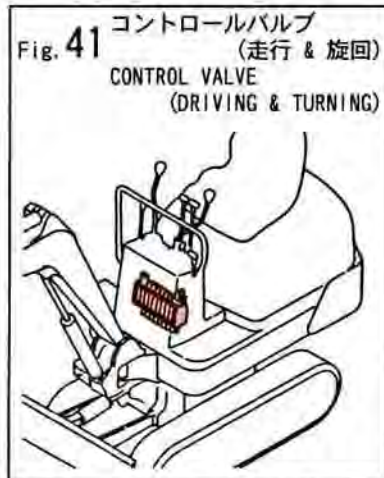
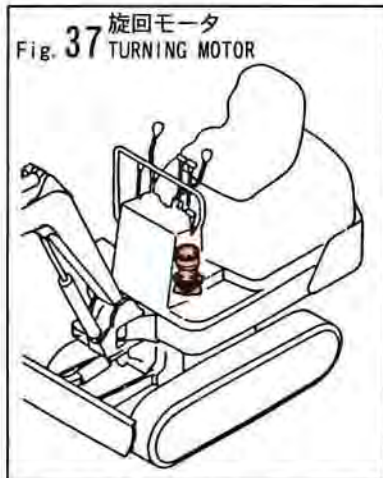














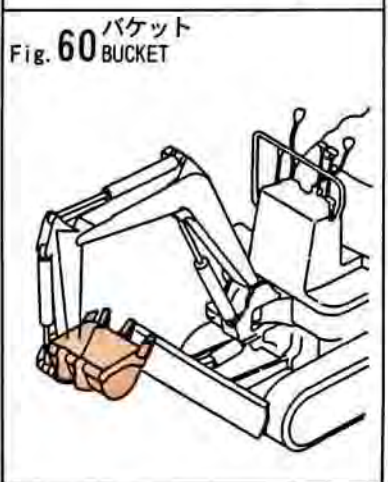
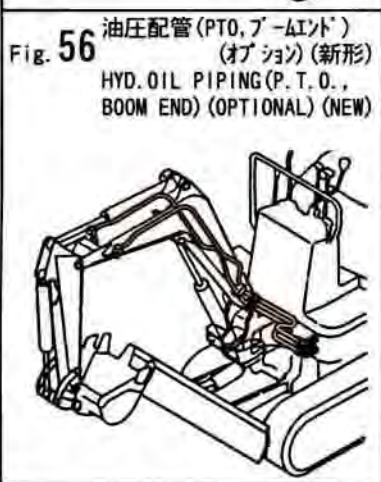
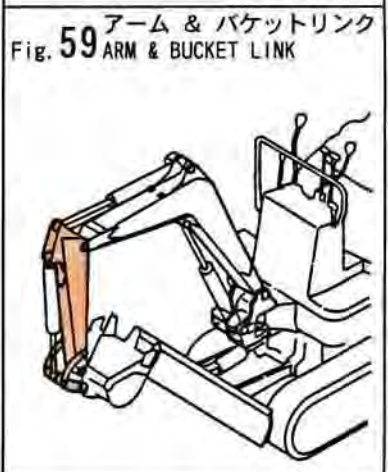
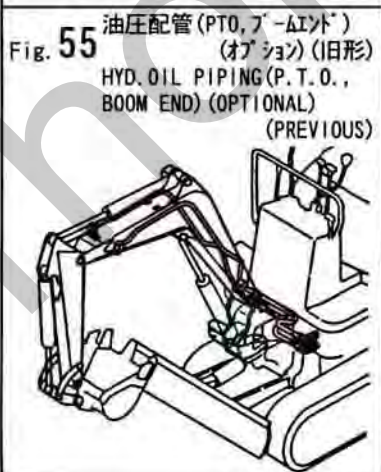
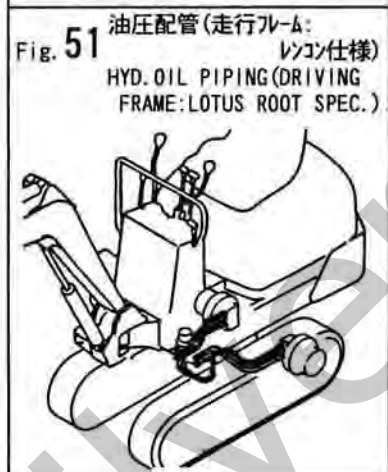
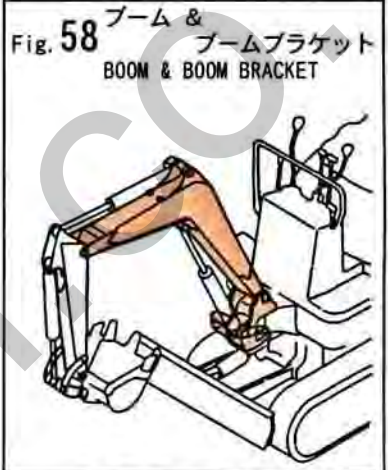
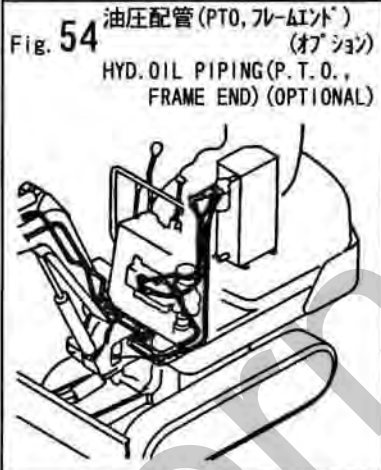
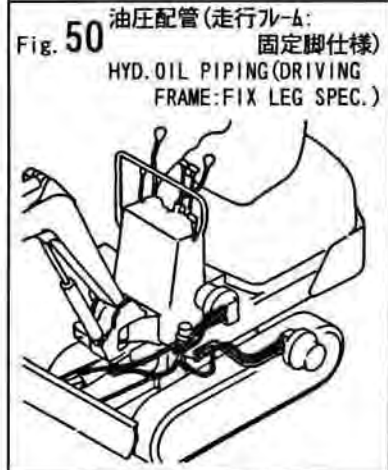
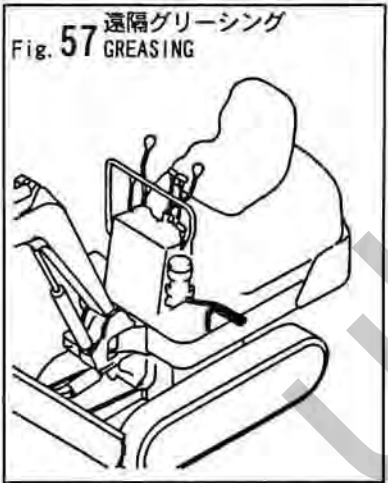
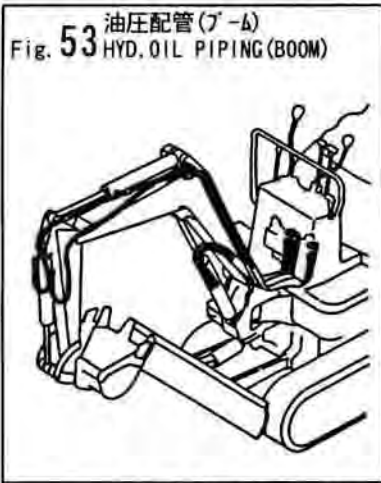
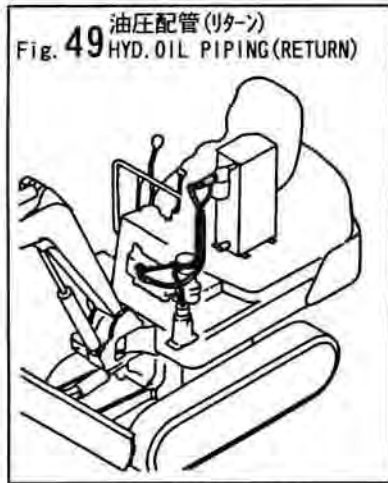


Fig. 61 バケット(レコン仕様)  
BUCKET (LOTUS ROOT SPEC.)

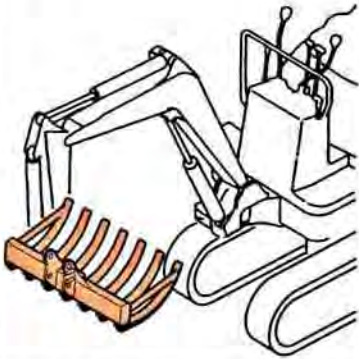
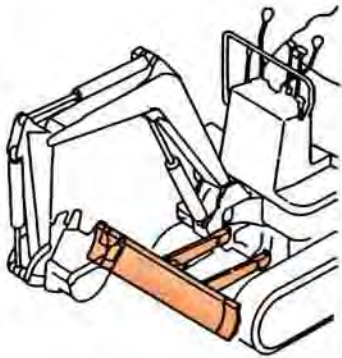


Fig. 62 ブレード  
BLADE

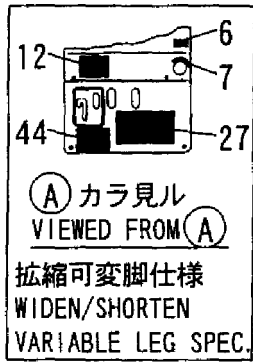




1,1,,772157-03100,, "LABEL SET",1,1,,,,,,,,,,,,,,,,,  
1-1,1,,772157-03101,, "LABEL  
SET",1,1,,,,,S,,72149172,M/#01727,72149172,M/#01727,,,,,  
1-2,1,,772157-03102,, "LABEL  
SET",1,1,,,,,N,,72164368,M/#03540,72164368,M/#03540,,,,,  
2,2,,172157-03120,, "LABEL, OILING",1,1,,,,,,,,,,,,,,,,,  
3,2,,172157-03130,, "LABEL, GREASE",1,1,,,,,,,,,,,,,,,,,  
4,2,,172157-03150,, "LABEL",1,1,,,,,,,,,,,,,,,,,  
4-1,2,,172157-03151,, "LABEL",1,1,,,,,N,,72157184,M/#05319,72157184,M/#05319,,,,,  
5,2,,172155-03160,, "LABEL, GREASE-SWING",1,1,,,,,,,,,,,,,,,,,  
6,2,,172141-03170,, "LABEL, RESTART",1,1,,,,,,,,,,,,,,,,,  
7,2,,172157-03170,, "LABEL, KEY SWITCH",1,1,,,,,,,,,,,,,,,,,  
8,2,,172156-03191,, "LABEL, (A)",1,1,,,,,,,,,,,,,,,,,  
8-1,2,,172156-03280,, "LABEL",1,1,,,,,S,,72164368,M/#03540,72164368,M/#03540,,,,,  
9,2,,172519-03290,, "LABEL, ENG.COVER",1,1,,,,,,,,,,,,,,,,,  
9-1,2,,172519-  
04180,, "LABEL,WARNING",1,1,,,,,S,,72164368,M/#03540,72164368,M/#03540,,,,,  
10,2,,172155-03310,, "LABEL, OILING",1,1,,,,,,,,,,,,,,,,,  
11,2,,172141-03181,, "LABEL, RESERVER(C)",1,1,,,,,,,,,,,,,,,,,  
11-1,2,,172141-  
03182,, "LABEL",1,1,,,,,S,,72164368,M/#03540,72164368,M/#03540,,,,,  
12,2,,172141-03350,, "LABEL,  
QUICK(C)",1,1,,,,,Z,,72149172,M/#01727,72149172,M/#01727,,,,,  
13,2,,172137-03780,, "LABEL, THROTTLE",1,1,,,,,,,,,,,,,,,,,  
14,2,,933112-52400,, "LABEL, FUEL",1,1,,,,,,,,,,,,,,,,,  
14-1,2,,172183-  
03250,, "LABEL",1,1,,,,,S,,72164368,M/#03540,72164368,M/#03540,,,,,  
15,2,,172141-03370,, "LABEL, PROTECTOR",1,1,,,,,,,,,,,,,,,,,  
15-1,2,,172141-  
03372,, "LABEL",1,1,,,,,S,,72164368,M/#03540,72164368,M/#03540,,,,,  
16,2,,172183-  
03280,, "LABEL,LOCK",1,1,,,,,W,,72183132,M/#02861,72183132,M/#02861,,,,,  
17,2,,172141-  
03202,, "LABEL,CAUTION",1,1,,,,,W,,72164368,M/#03540,72164368,M/#03540,,,,,  
18,2,,172142-  
03302,, "LABEL,CAUTION",1,1,,,,,W,,72164368,M/#03540,72164368,M/#03540,,,,,  
19,2,,172964-03481,, "LABEL",1,1,,,,,W,,72964011,M/#03540,72964011,M/#03540,,,,,  
20,2,,172164-03500,, "LABEL",1,1,,,,,W,,72164368,M/#03540,72164368,M/#03540,,,,,  
21,2,,172164-03510,, "LABEL",1,1,,,,,W,,72164368,M/#03540,72164368,M/#03540,,,,,  
22,2,,172164-03540,, "LABEL",1,1,,,,,W,,72164368,M/#03540,72164368,M/#03540,,,,,  
23,2,,172964-03610,, "LABEL  
A",1,1,,,,,W,,72164368,M/#03540,72164368,M/#03540,,,,,  
24,2,,172165-  
03661,, "LABEL,DANGER",1,1,,,,,W,,72164368,M/#03540,72164368,M/#03540,,,,,  
25,2,,172519-04300,, "LABEL",1,1,,,,,W,,72164368,M/#03540,72164368,M/#03540,,,,,  
26A,1,,772157-03110,, "LABEL SET 2,GREEN",1,,,,,W,,\*,M/#00501,,,,,  
26B,1,,772157-03120,, "LABEL SET 2,YELLOW",1,,,,,W,,,,\*,M/#00501,,,,,  
27,2,,172157-03140,, "LABEL, OPERATION",1,1,,,,,,,,,,,,,,,,,  
27-1,2,,172157-03450,, "LABEL,  
OPERATION",1,1,,,,,S,,72149172,M/#01727,72149172,M/#01727,,,,,  
28A,2,,172157-03200,, "LABEL, B08G(R)",1,,,,,,,,,,,,,,,,,  
28B,2,,172157-03240,, "LABEL, STRIPE(R)",1,,,,,M,,,,,,,,,,,,,  
28B-1,2,,172157-03260,, "LABEL, B08Y(R)",1,,,,,,,,,,,,,,,,,  
29A,2,,172157-03210,, "LABEL, B08G(L)",1,,,,,,,,,,,,,,,,,  
29B,2,,172157-03250,, "LABEL, STRIPE(L)",1,,,,,M,,,,,,,,,,,,,  
29B-1,2,,172157-03270,, "LABEL, B08Y(L)",1,,,,,,,,,,,,,,,,,  
30A,2,,172157-03220,, "LABEL, BOOM(R)",1,,,,,,,,,,,,,,,,,  
30B,2,,172157-03260,, "LABEL, B08Y(R)",1,,,,,M,,,,,,,,,,,,,  
30B-1,2,,172157-03280,, "LABEL, BOOM Y(R)",1,,,,,,,,,,,,,,,,,  
31A,2,,172157-03230,, "LABEL, BOOM(L)",1,,,,,,,,,,,,,,,,,  
31B,2,,172157-03270,, "LABEL, B08Y(L)",1,,,,,M,,,,,,,,,,,,,  
31B-1,2,,172157-03290,, "LABEL, BOOM Y(L)",1,,,,,,,,,,,,,,,,,  
32,2,,172157-03240,, "LABEL, STRIPE(R)",1,1,,,,,,,,,,,,,,,,,

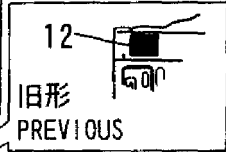
33,2,,172157-03250,, "LABEL, STRIPE(L)",1,1,,,,,,,,,,,,,  
34,2,,172137-03300,, "LABEL, TURNING LOCK",1,1,,,,,2,,,,,,,,,  
35,2,,172157-03110,, "LABEL, SPECIFICATION",1,1,,,,,3,,,,,,,,,  
35-1,2,,172157-03111,, "LABEL,  
SPECIFICATION",1,1,,,,,N,3,72422137,M/#05786,72422137,M/#05786,,,,,  
36,2,,172157-03460,, LABEL,1,1,,,,,W,5,72176167,M/#03758,72176167,M/#03758,,,,,  
37,2,,172157-03050,, LABEL,1,1,,,,,W,5,\*M/#00501,\*M/#00501,,,,,  
40,2,,172453-03110,, "LABEL, SPECIFICATION",1,,,,,4,,,,,,,,,  
41,2,,172183-03140,, "LABEL,ADJUST CRAWLER",1,,,,,4,,,,,,,,,  
42,2,,172964-03390,, "LABEL,ADJUST",1,,,,,4,,,,,,,,,  
43,2,,172157-03320,, "LABEL, OPERATION(C)",1,,,,,1,,,,,,,,,  
43-1,2,,172157-03321,, LABEL,1,,,,,S,,72164368,M/#03540,,,,,  
44,2,,172157-03310,, "LABEL, OPERATION",1,,,,,1,,,,,,,,,

Silverhorn.CO.UK

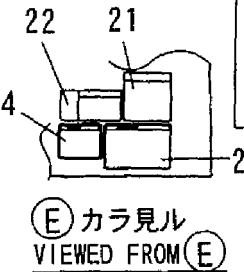
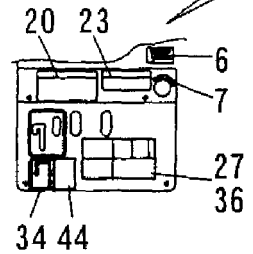
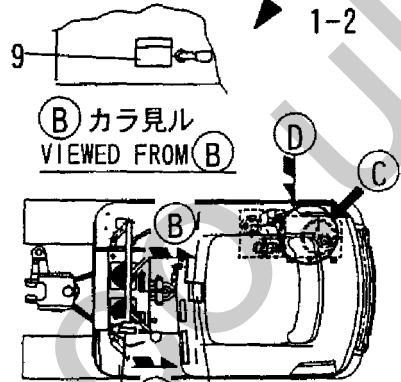


見出しNo. 26Aは  
見出しNo. 27から44を含みます。  
見出しNo. 26Bは  
見出しNo. 27から37を含みます。  
26A INC. 27~44.  
26B INC. 27~37.

見出しNo. 1及び1-1は  
見出しNo. 2から16を含みます。  
見出しNo. 1-2は  
見出しNo. 2から25を含みます。  
1, 1-1 INC. 2~16.  
1-2 INC. 2~25.

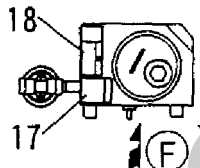


37  
適所貼付  
PUT OF RIGHT  
PLACE



(A) カラ見ル  
VIEWED FROM (A)

リザーバ部  
PARTS OF RESERVOIR  
燃料タンク部  
PARTS OF FUEL TANK

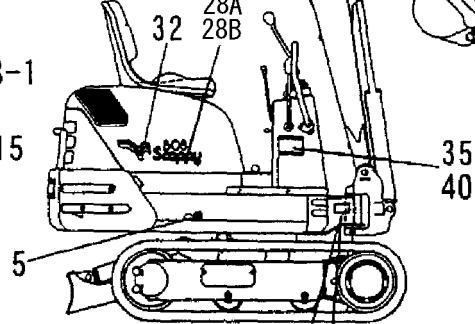
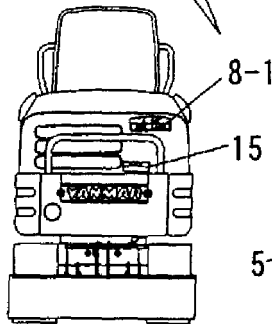


機体、機関NO. 打刻位置  
MACHINE SERIAL NO. &  
ENGINE SERIAL NO.  
IS STAMPED INTO  
THIS LOCATION.

(F) カラ見ル  
VIEWED FROM (F)

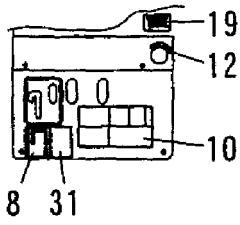


取説収納庫在中  
IN THE OPERATION  
MANUAL CASE

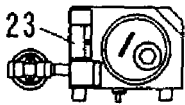


機体NO. 打刻位置  
MACHINE SERIAL NO.  
IS STAMPED INTO THIS LOCATION.

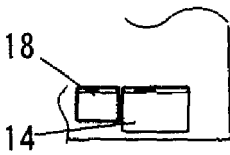




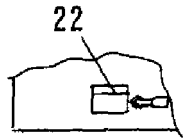
① カラ見ル  
VIEWED FROM ①



③ 部詳細  
DETAILS OF ③

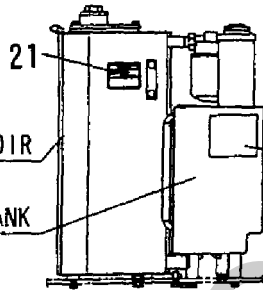


⑤ カラ見ル  
VIEWED FROM ⑤



② カラ見ル  
VIEWED FROM ②

リザーバ部  
PARTS OF RESERVOIR  
燃料タンク部  
PARTS OF FUEL TANK



④ カラ見ル  
VIEWED FROM ④



24

取説収納庫在中  
IN THE OPERATION  
MANUAL CASE

AY向け英文銘板貼替キット  
ENGLISH LABEL KIT FOR AMMANN YANMAR  
銘板キット(E, 固定)  
LABEL KIT, E FIX

172157-03180

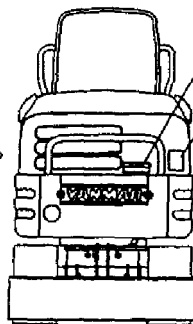
見出しNo. 32は  
見出しNo. 14から28を含みます。  
32 INC. 14~28.

銘板キット(E, 可変)  
LABEL KIT, E VARIABLE

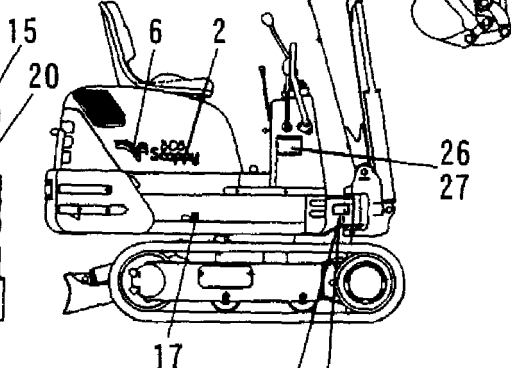
172157-03190

見出しNo. 33は  
見出しNo. 14から27と29, 30を含みます。  
33 INC. 14~27, 29, 30.

33

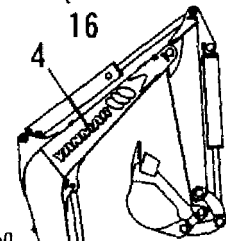
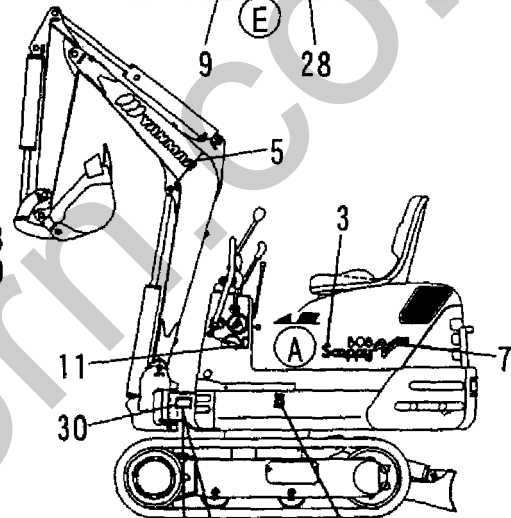
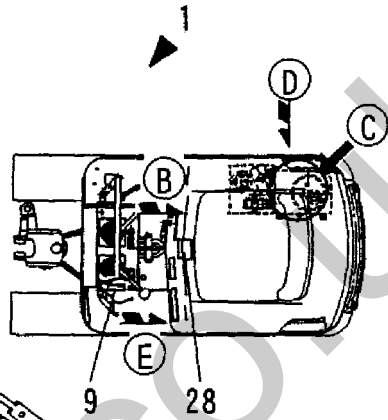


機体、機関NO. 打刻位置  
MACHINE SERIAL NO. &  
ENGINE SERIAL NO.  
IS STAMPED INTO  
THIS LOCATION.



機体NO. 打刻位置  
MACHINE SERIAL NO.  
IS STAMPED INTO THIS LOCATION.

見出しNo. 1は  
見出しNo. 2から24を含みます。  
1 INC. 2~24.



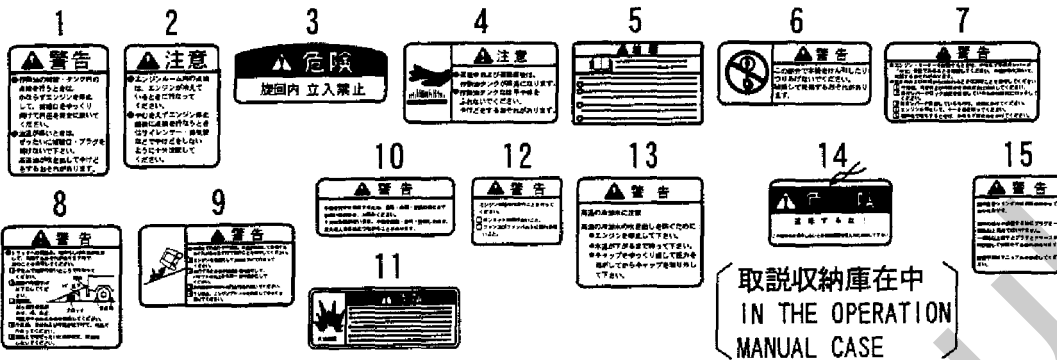




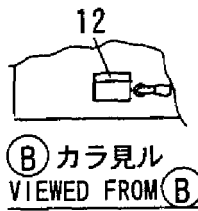
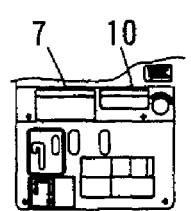


1,1,,172141-03182,,LABEL,1,1,,,,,,,,,,,,,  
2,1,,172141-03202,,,"LABEL,CAUTION",1,1,,,,,,,,,,,,,  
3,1,,172156-03280,,LABEL,1,1,,,,,,,,,,,,,  
4,1,,172142-03302,,,"LABEL,CAUTION",1,1,,,,,,,,,,,,,  
5,1,,172157-03321,,LABEL,1,1,,,,,1,,,,,,,,,,,,,  
6,1,,172141-03372,,LABEL,1,1,,,,,,,,,,,,,  
7,1,,172164-03500,,LABEL,1,1,,,,,,,,,,,,,  
8,1,,172164-03510,,LABEL,1,1,,,,,,,,,,,,,  
9,1,,172164-03540,,LABEL,1,1,,,,,,,,,,,,,  
10,1,,172164-03610,,,"LABEL A",1,1,,,,,M,,,,,,,,,,,,,  
10-1,1,,172964-03610,,,"LABEL A",1,1,,,,,,,,,,,,,  
11,1,,172165-03661,,,"LABEL,DANGER",1,1,,,,,,,,,,,,,  
12,1,,172519-04180,,,"LABEL,WARNING",1,1,,,,,,,,,,,,,  
13,1,,172519-04300,,LABEL,1,1,,,,,,,,,,,,,  
14,1,,172964-03480,,LABEL,1,1,,,,,,,,,,,,,  
14-1,1,,172964-  
03481,,LABEL,1,1,,,,,N,,72964011,M/#03540,72964011,M/#03540,,,,,  
15,1,,172964-03390,,,"LABEL,ADJUST",1,,,,,2,,,,,,,,,,,,,  
16,1,,172157-03050,,LABEL,1,1,,,,,W,3,\*M/#00501,\*M/#00501,,,,,

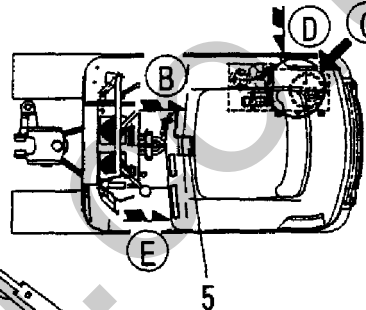
Silverhorn.CO.UK



取説収納庫在中  
IN THE OPERATION  
MANUAL CASE

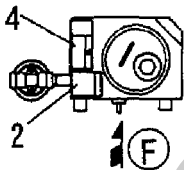
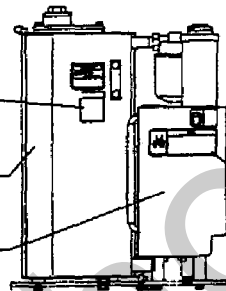


16  
適所貼付  
PUT OF RIGHT  
PLACE



(A) カラ見ル  
VIEWED FROM (A)

リザーバ部  
PARTS OF RESERVOIR  
燃料タンク部  
PARTS OF FUEL TANK

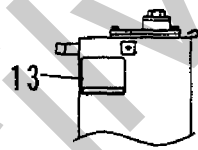


(D) カラ見ル  
VIEWED FROM (D)

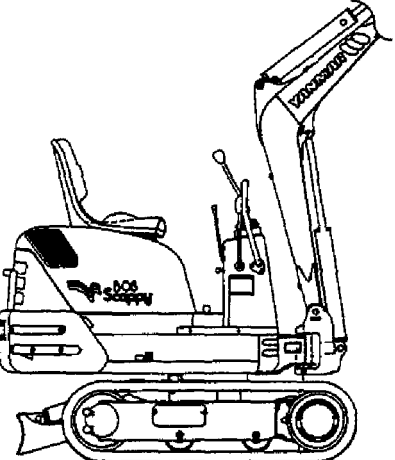
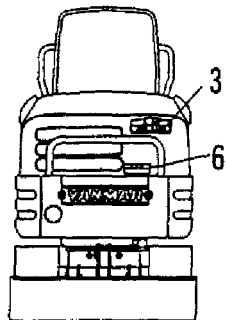
(C) 部詳細  
DETAILS OF (C)



(E) カラ見ル  
VIEWED FROM (E)



(F) カラ見ル  
VIEWED FROM (F)

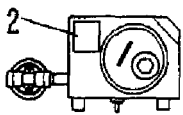
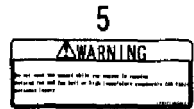
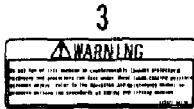
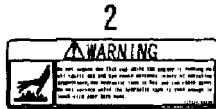


1,1,,172171-03400,,PLATE,,,1,,,,,,,,,,,,,  
2,1,,172171-03720,,LABEL,,,1,,,,,,,,,,,,,  
3,1,,172171-03730,,LABEL,,,1,,,,,,,,,,,,,  
4,1,,172171-03780,,LABEL,,,1,,,,,,,,,,,,,  
5,1,,172171-03810,,LABEL,,,1,,,,,,,,,,,,,  
6,1,,172157-03630,,LABEL,,,1,,,,,1,,,,,,,,,

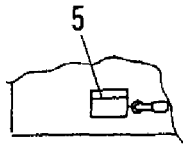
Silverhorn.CO.UK



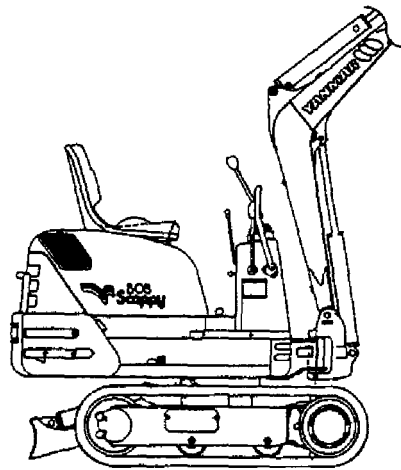
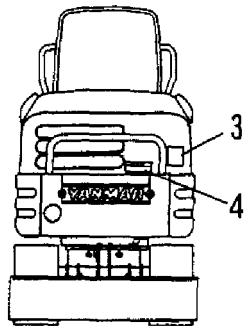
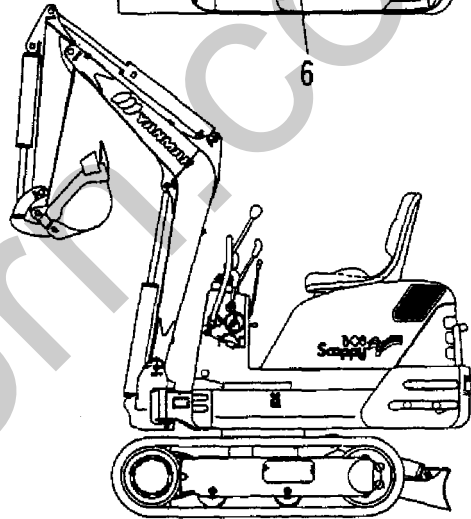
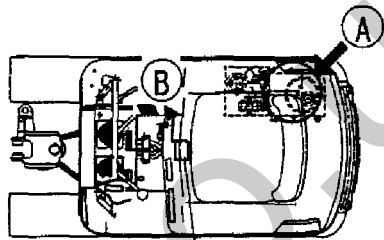
取説収納庫在中  
IN THE OPERATION  
MANUAL CASE



Ⓐ 部詳細  
DETAILS OF Ⓐ



Ⓑ から見る  
VIEWED FROM Ⓑ



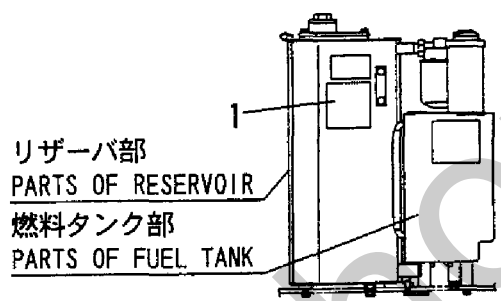
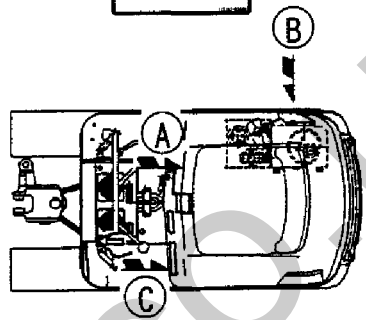
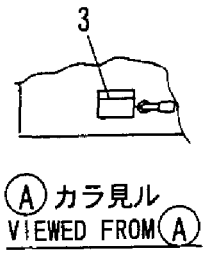
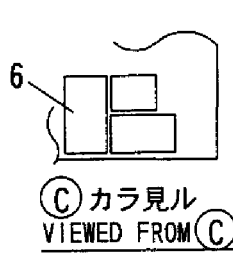
1,1,,172143-03170,,LABEL,,,,1,,,,,,,,,,,,,  
2,1,,172143-03210,,LABEL,,,,1,,,,,,,,,,,,,  
3,1,,172143-03240,,LABEL,,,,1,,,,,,,,,,,,,  
4,1,,172171-03420,, "CAUTION PLATE ASSY" ,,,,,1,,,,,,,,,,,,,  
5,1,,933112-45300,, "LABEL, DANGER (A)" ,,,,,1,,,,,,,,,,,,,  
6,1,,172157-03650,,LABEL,,,,1,,,,,1,,,,,,,,,,,,,

Silverhorn.CO.UK

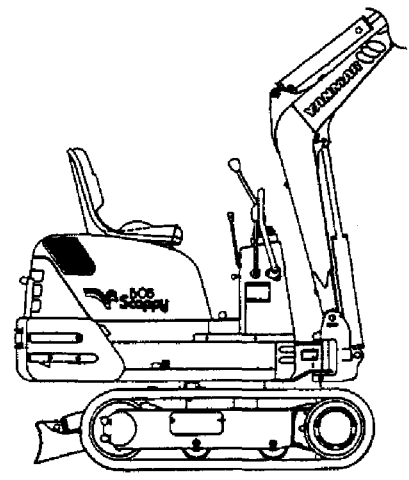
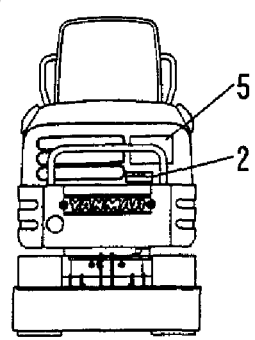
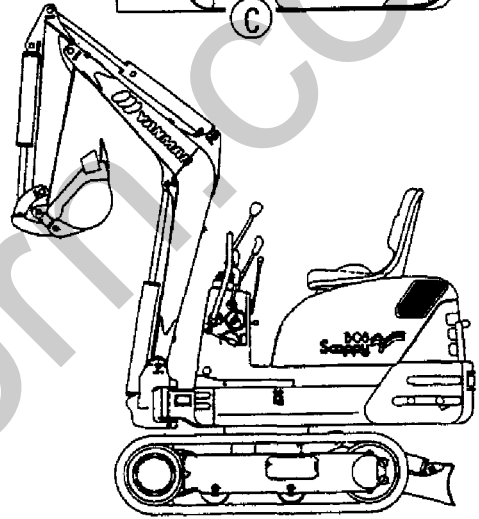




取説収納庫在中  
IN THE OPERATION  
MANUAL CASE



(B) カラ見ル  
VIEWED FROM (B)



1,1,,772157-05100,, "TOOL ASSY",1,1,1,1,,,,,,,,,,,,,  
1A,1,,772453-05100,, "TOOL ASSY",1,,,,,W,1,72453005,M/#00501,,,,,,,,,  
2,2,,119640-92750,, "WRENCH, FILTER",1,1,1,1,,,,,,,,,,,,,  
3,2,,28110-140170,, "WRENCH 14X17",1,1,1,1,,,,,,,,,,,,,  
4,2,,28110-170190,, "WRENCH 17X19",1,1,1,1,,,,,,,,,,,,,  
5,2,,28110-190220,, "WRENCH 19X22",1,1,1,1,,,,,,,,,,,,,  
6,2,,28110-220240,, "WRENCH 22X24",1,1,1,1,,,,,,,,,,,,,  
7,2,,933110-09700,, "HOSE, GREASE",1,1,,,,,,,,,,,,,  
7-1,2,,933110-09701,, "HOSE,  
GREASE",1,1,1,1,,N,,72165483,M/#03540,72165483,M/#03540,,,,,,,,,  
8,2,,933110-09800,, "GUN 800, GREASE",1,1,,,,,,,,,,,,,  
8-1,2,,933110-09801,, "GUN 800,  
GREASE",1,1,1,1,,N,,72165483,M/#03540,72165483,M/#03540,,,,,,,,,  
9,2,,933110-90000,, "BAG, TOOL",1,1,1,1,,,,,,,,,,,,,  
10,2,,104200-92350,, "DRIVER, SCREW",1,1,1,1,,,,,,,,,,,,,  
11,2,,28227-271400,, "BOX WRENCH 27\*140",1,,,,,W,1,72453005,M/#00501,,,,,,,,,  
12,2,,28230-120250,, "TURNING HANDLE",1,,,,,W,1,72453005,M/#00501,,,,,,,,,  
14,1,,172176-07330,, "BAG,  
MANUAL",1,1,,,,,W,,72176164,M/#03540,72176164,M/#03540,,,,,,,,,  
16,1,,172157-07150,, "BOX CMP,  
MANUAL",1,1,,,,,W,,72156147,M/#03540,72156147,M/#03540,,,,,,,,

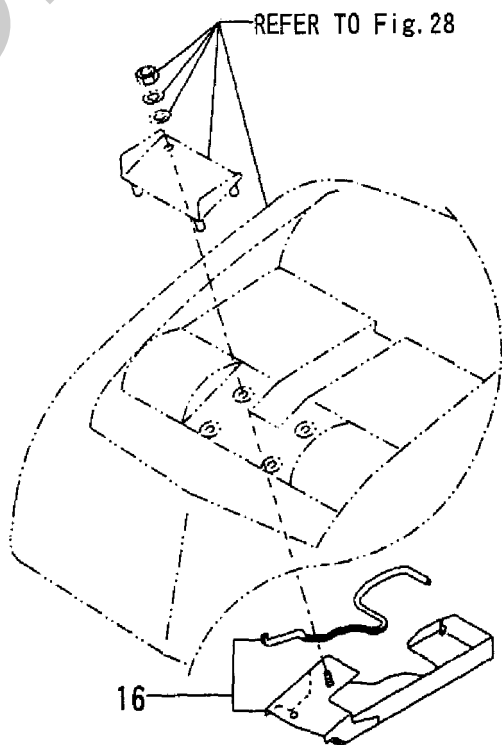
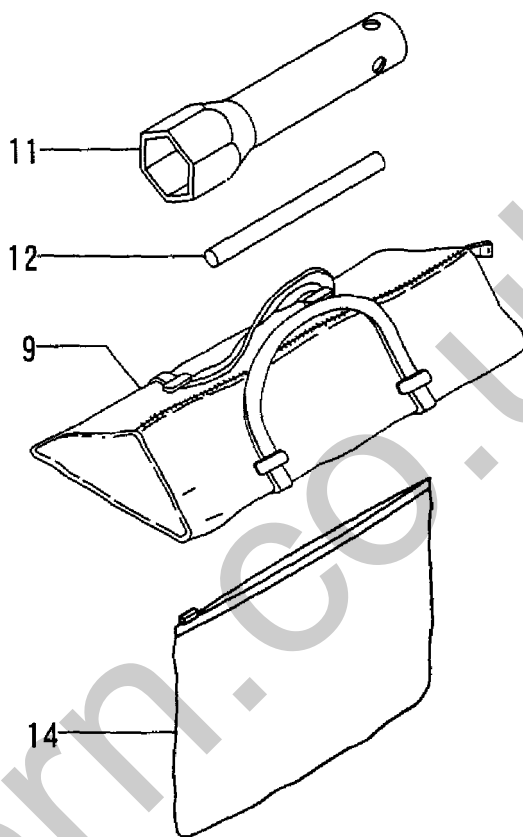
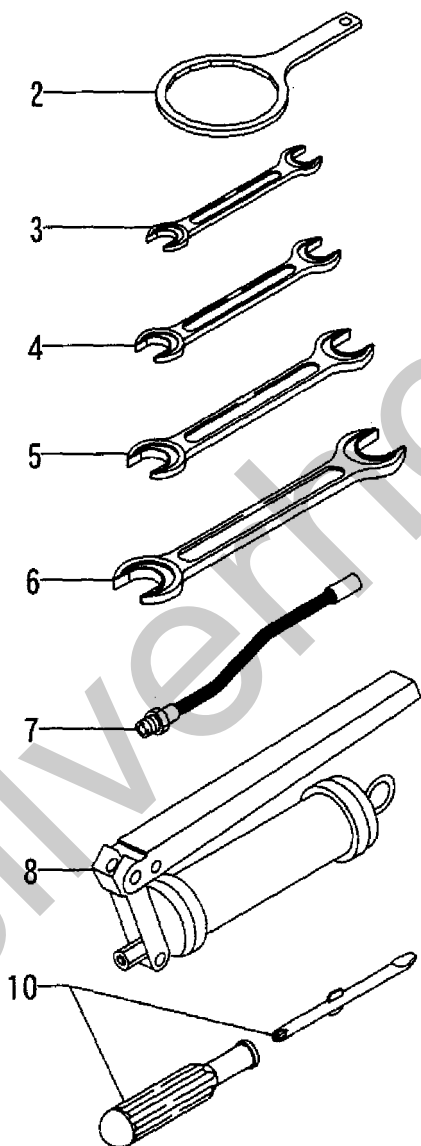


見出しNo. 1は  
見出しNo. 2から10を含みます。  
1 INC. 2~10.

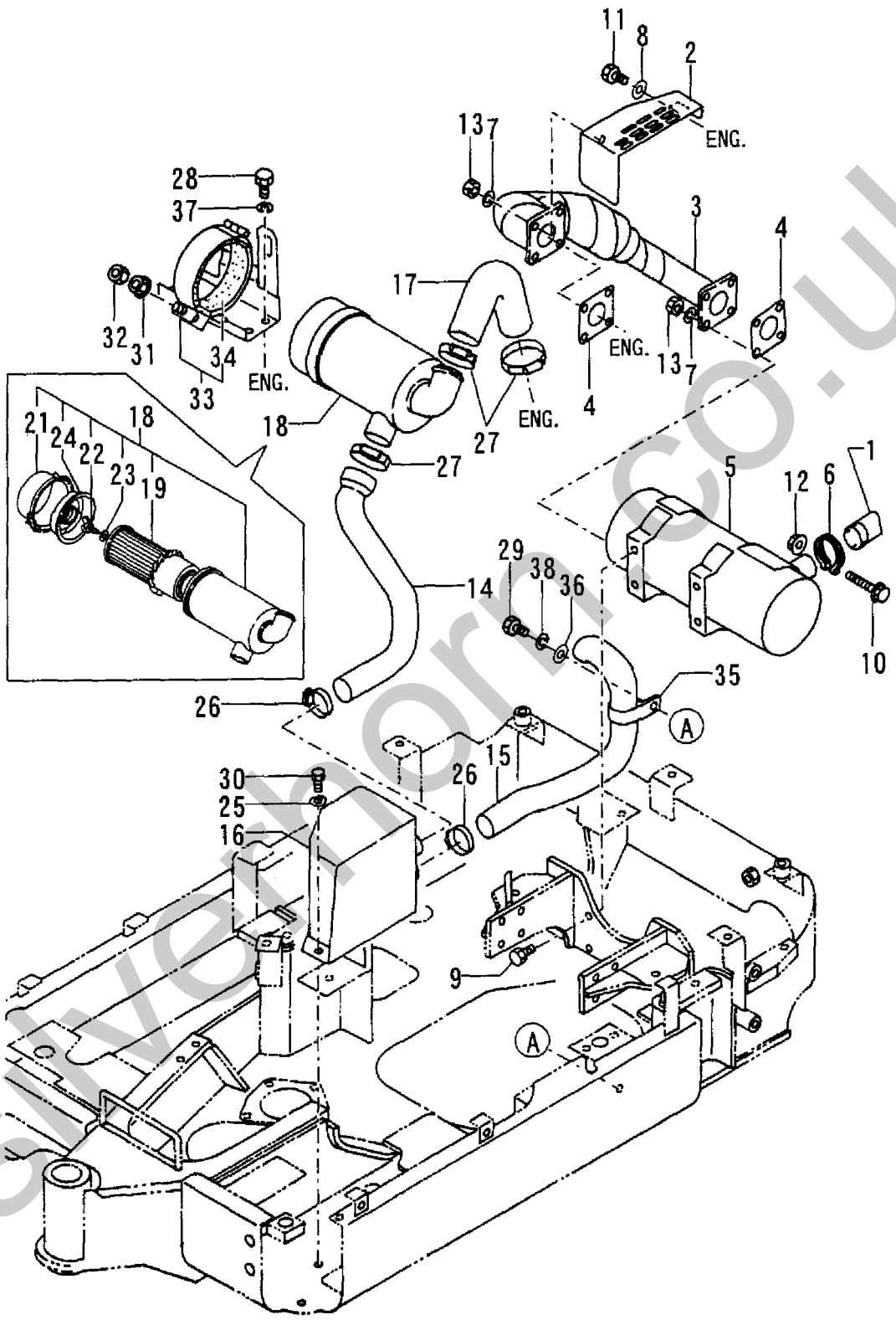
1  
▼

見出しNo. 1Aは  
見出しNo. 2から12を含みます。  
1A INC. 2~12.

1A  
▼



1,1,,172157-11380,, "DUCT, EXHAUST",1,1,1,1,,,,,,,,,,,,,  
2,1,,172157-11400,, "COVER, EXH. PIPE",1,1,1,1,,,,,,,,,,,,,  
3,1,,172157-11450,, "TUBE, INSULATOR",1,1,1,1,,,,,,,,,,,,,  
4,1,,124701-11911,, "GASKET, (NON-ASB.)",2,2,2,2,,,,,,,,,,,,,  
5,1,,119230-13510,, "SILENCER",1,1,1,1,,,,,,,,,,,,,  
6,1,,124664-13580,, "CLAMP",1,1,,,,,,,,,,,,,  
6-1,1,,172168-  
11310,, "CLAMP",1,1,1,1,, ,N,, 72168235,M/#03179,72168235,M/#03179,,,,,,,,,  
7,1,,22217-080000,, "SPRING WASHER 8",8,8,8,8,,,,,,,,,,,,,  
8,1,,22217-080000,, "SPRING WASHER 8",1,1,1,1,,,,,,,,,,,,,  
9,1,,26013-100252,, "BOLT W/WASHER M10X25",4,4,4,4,,,,,,,,,,,,,  
10,1,,26106-080552,, "BOLT M 8X 55 PLATED",1,1,1,1,,,,,,,,,,,,,  
11,1,,26116-080122,, "BOLT M 8X 12 PLATED",1,1,1,1,,,,,,,,,,,,,  
12,1,,26366-080002,, "NUT M 8",1,1,1,1,,,,,,,,,,,,,  
13,1,,26716-080002,, "NUT M 8",8,8,8,8,,,,,,,,,,,,,  
14,1,,172157-11540,, "HOSE B, AIR CLEANER",1,1,1,1,,,,,,,,,,,,,  
15,1,,172157-11550,, "HOSE C, AIR CLEANER",1,1,1,1,,,,,,,,,,,,,  
16,1,,172157-11560,, "SILENCER, INLET",1,1,1,1,,,,,,,,,,,,,  
17,1,,119230-12210,, "HOSE,AIR INTAKE",1,1,1,1,,,,,,,,,,,,,  
18,1,,119230-12520,, "CLEANER ASSY, AIR",1,1,1,1,,,,,,,,,,,,,  
19,2,,121465-12510,, "ELEMENT, AIR  
CLEANER",1,1,1,1,, ,W,, \*,M/#00501,\*,M/#00501,,,,,,,,,  
21,2,,121024-12660,, "PAN ASSY, DUST",1,1,1,1,, ,W,M,\*,M/#00501,\*,M/#00501,,,,,,,,,  
21-1,2,,119230-12660,, "PAN ASSY, DUST",1,1,1,1,,,,,,,,,,,,,I  
22,2,,124064-12680,, "BOLT, WING",1,1,1,1,, ,W,, \*,M/#00501,\*,M/#00501,,,,,,,,,  
23,2,,124064-12690,, "WASHER",1,1,1,1,, ,W,, \*,M/#00501,\*,M/#00501,,,,,,,,,  
24,2,,121465-12700,, "RETAINER",1,1,1,1,, ,W,, \*,M/#00501,\*,M/#00501,,,,,,,,,  
25,1,,22217-100000,, "SPRING WASHER 10",2,2,2,2,,,,,,,,,,,,,  
26,1,,23000-048000,, "CLAMP 48",2,2,2,2,,,,,,,,,,,,,  
27,1,,23000-060000,, "CLAMP 60",3,3,3,3,,,,,,,,,,,,,  
28,1,,26116-100202,, "BOLT M10X 20 PLATED",4,4,4,4,,,,,,,,,,,,,  
29,1,,26116-100202,, "BOLT M10X 20 PLATED",1,1,1,1,,,,,,,,,,,,,  
30,1,,26116-100202,, "BOLT M10X 20 PLATED",2,2,2,2,,,,,,,,,,,,,  
31,1,,26366-080002,, "NUT M 8",1,1,1,1,,,,,,,,,,,,,  
32,1,,26716-080002,, "NUT M 8",1,1,1,1,,,,,,,,,,,,,  
33,1,,119230-12650,, "SUPPORT, AIR CLEANER",1,1,1,1,,,,,,,,,,,,,  
34,2,,119640-12580,, "FELT, SUPPORT",2,2,2,2,,,,,,,,,,,,,  
35,1,,172158-78250,, "CLAMP 45",1,1,1,1,,,,,,,,,,,,,  
36,1,,22137-100000,, "WASHER 10,POLISHED",1,1,1,1,,,,,,,,,,,,,  
37,1,,22217-100000,, "SPRING WASHER 10",4,4,4,4,,,,,,,,,,,,,  
38,1,,22217-100000,, "SPRING WASHER 10",1,1,1,1,,,,,,,,,,,,,



1,1,,172156-12100,, "LEVER W/BUSH ACCEL",1,1,1,1,,,,,,,,,,,,,  
2,1,,172157-12100,, "CABLE, ACCEL",1,1,1,1,,,,,,,,,,,,,  
3,1,,172157-12110,, "BRACKET, ACCEL",1,1,1,1,,,,,,,,,,,,,  
4,1,,172156-12130,, "BOSS ASSY, ACCEL",1,1,1,1,,,,,,,,,,,,,  
5,1,,172156-12160,, "SHAFT, ACCEL",1,1,1,1,,,,,,,,,,,,,  
6,1,,172156-12180,, "KNOB, ACCEL",1,1,1,1,,,,,,,,,,,,,  
7,1,,172113-12521,, "PIN, CABLE",1,1,1,1,,,,,,,,,,,,,  
7-1,1,,172113-  
12522,,PIN,1,1,1,1,,N,,72426072,M/#05816,72426072,M/#05816,72426072,M/#05816,72  
426072,M/#05816,,  
8,1,,1C6281-52310,, "PIN 6,COME-OFF SNAP",2,2,2,2,,,,,,,,,,,,,  
9,1,,1E8060-97210,, "MARK "Y",LEVER GRIP",1,1,1,1,,,,,,,,,,,,,  
10,1,,22137-060000,, "WASHER 6, POLISHED",2,2,2,2,,,,,,,,,,,,,  
11,1,,22217-080000,, "SPRING WASHER 8",2,2,2,2,,,,,,,,,,,,,  
12,1,,26013-080252,, "BOLT M 8X 25",1,1,1,1,,,,,,,,,,,,,  
13,1,,26116-080202,, "BOLT M 8X 20 PLATED",2,2,2,2,,,,,,,,,,,,,  
14,1,,26756-120002,, "LOCK NUT 12",2,2,2,2,,,,,,,,,,,,,  
15,1,,933170-01490,, "SPRING 12",2,2,2,2,,,,,,,,,,,,,

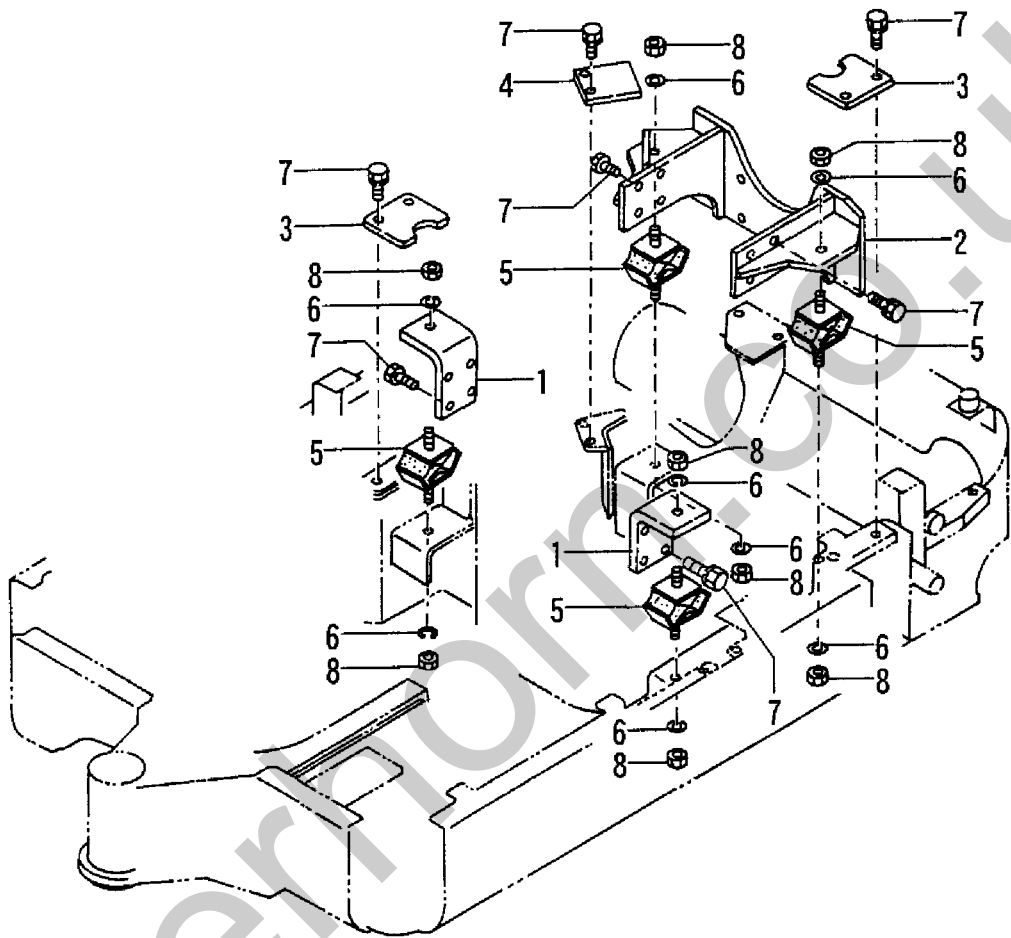
Silverhorn.CO.UK





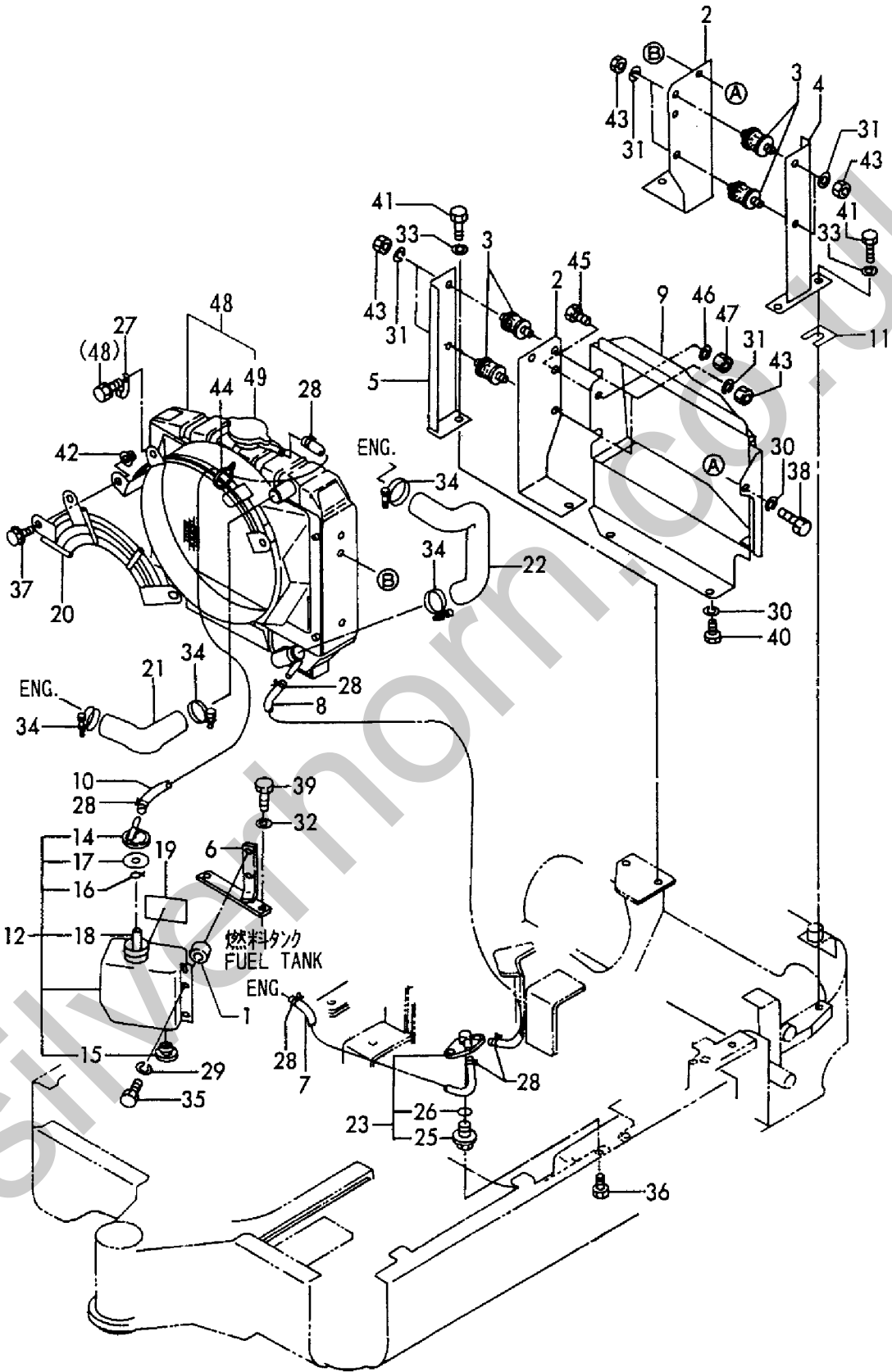
1,1,,172157-13100,, "MOUNT F, ENGINE",2,2,2,2,,,,,,,,,,,,,  
2,1,,172157-13110,, "MOUNT R, ENGINE",1,1,1,1,,,,,,,,,,,,,  
3,1,,172157-13150,, "PLATE, STOPPER",2,2,2,2,,,,,,,,,,,,,  
4,1,,172157-13160,, "PLATE, STOPPER",1,1,1,1,,,,,,,,,,,,,  
5,1,,172157-13200,, "ABSORBER, SHOCK",4,4,4,4,,,,,,,,,,,,,  
6,1,,22217-100000,, "SPRING WASHER 10",8,8,8,8,,,,,,,,,,,,,  
7,1,,26013-100252,, "BOLT W/WASHER M10X25",22,22,22,22,,,,,,,,,,,,,  
8,1,,26716-100002,, "NUT 10",8,8,8,8,,,,,,,,,,,,,

Silverhorn.CO.UK



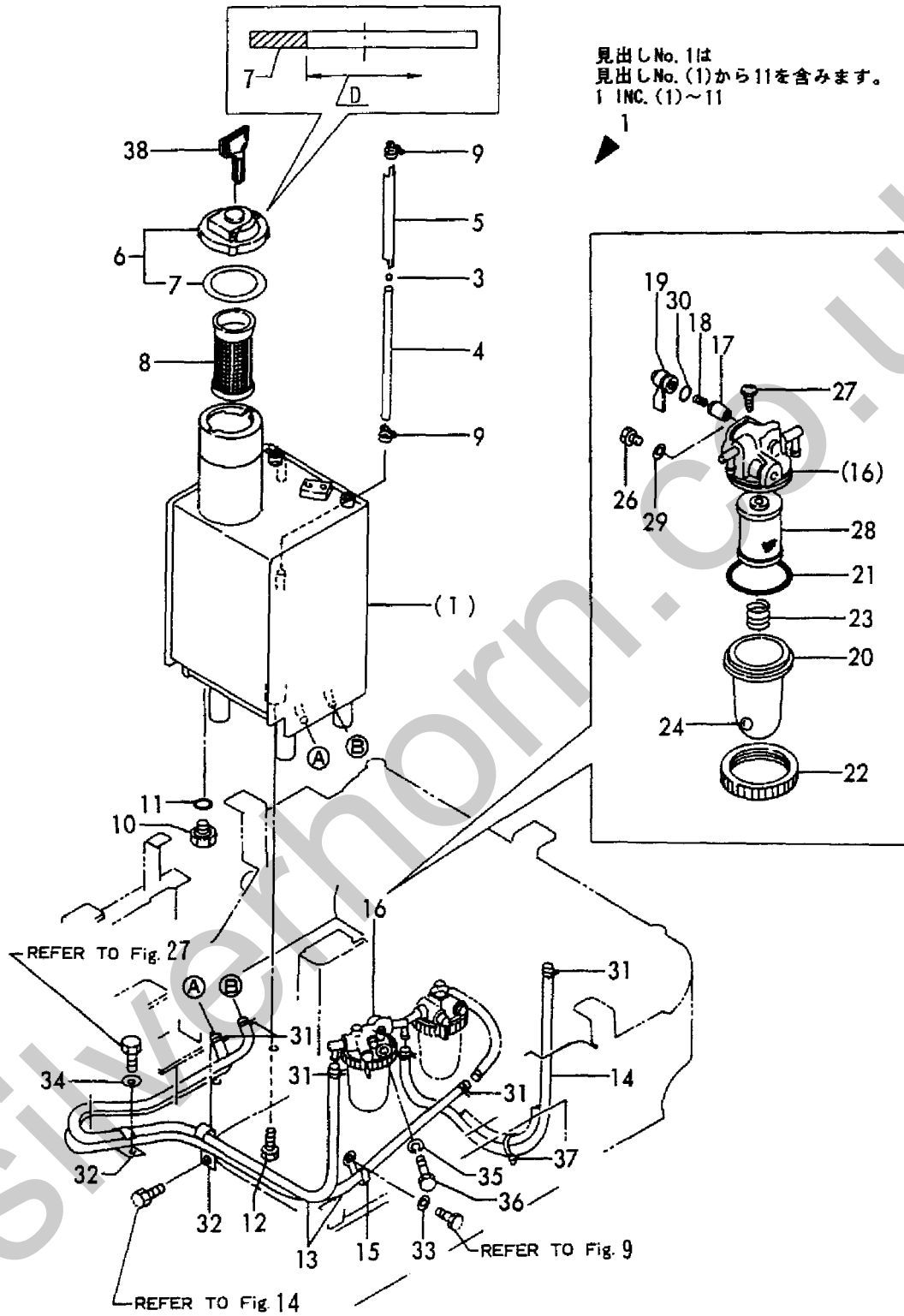
SilverFox.co.uk

1,1,,194208-05310,,CUSHION,2,2,2,2,,,,,,,,,,,,,  
2,1,,172157-13301,,,"BRACKET, RADIATOR",2,2,2,2,,,,,,,,,,,,,  
3,1,,172122-13310,,,"MOUNT, RADIATOR",4,4,4,4,,,,,,,,,,,,,  
4,1,,172157-13310,,,"MOUNT(L), RADIATOR",1,1,1,1,,,,,,,,,,,,,  
5,1,,172157-13320,,,"SUPPORT, RADIATOR",1,1,1,1,,,,,,,,,,,,,  
6,1,,172157-13361,,,"STAY",1,1,1,1,,,,,,,,,,,,,  
7,1,,172157-13381,,,"HOSE",1,1,,,,,,,,,,,,,  
7-1,1,,172141-14620,,,"HOSE,  
FUEL",1,1,1,1,,,"N",72146294,M/#03009,72146294,M/#03009,,,,,,,,,  
8,1,,172149-13500,,,"HOSE",1,1,,,,,,,,,,,,,  
8-1,1,,172164-14630,,,"HOSE  
400",1,1,1,1,,,"N",72146294,M/#03009,72146294,M/#03009,,,,,,,,,  
9,1,,172157-13481,,,"DUCT",1,1,1,1,,,,,,,,,,,,,  
10,1,,172512-14700,,,"PIPE D, FUEL",1,1,1,1,,,,,,,,,,,,,  
11,1,,933171-17780,,,"SHIM B  
T=1.6",2,2,2,2,,,"W",72157185,M/#00501,72157185,M/#00501,72157185,M/#00501,721571  
85,M/#00501,,,  
12,1,,121468-44510,,,"SUB-TANK ASSY",1,1,1,1,,,,,,,,,,,,,  
14,2,,121450-44531,,,"CAP",1,1,1,1,,,,,,,,,,,,,  
15,2,,121468-44540,,,"PLUG, SUB-TANK",1,1,1,1,,,,,,,,,,,,,  
16,2,,124450-44560,,,"CLAMP",1,1,1,1,,,,,,,,,,,,,  
17,2,,121470-44581,,,"GASKET",1,1,1,1,,,,,,,,,,,,,  
18,2,,23065-070130,,,"PIPE 7X 130",1,1,1,1,,,,,,,,,,,,,  
19,1,,121470-44540,,,"LABEL, SUB-TANK",1,1,1,1,,,,,,,,,,,,,  
20,1,,119230-44600,,,"NET, WIRE",1,1,1,1,,,,,,,,,,,,,  
21,1,,119230-49010,,,"PIPE, WATER",1,1,1,1,,,,,,,,,,,,,  
22,1,,119332-49020,,,"PIPE(B), C.W",1,1,1,1,,,,,,,,,,,,,  
23,1,,121450-49110,,,"COCK ASSY, 3-WAY",1,1,1,1,,,,,,,,,,,,,  
25,2,,121250-49121,,,"PLUG",1,1,1,1,,,,,,,,,,,,,  
26,2,,24311-000160,,,"O-RING 1A P-16.0",1,1,1,1,,,,,,,,,,,,,  
27,1,,194440-51620,,,"CLAMP, WIRE HARNESS",1,1,1,1,,,,,,,,,,,,,  
28,1,,124766-59050,,,"CLAMP 12",6,6,6,6,,,,,,,,,,,,,  
29,1,,22137-060000,,,"WASHER 6, POLISHED",2,2,2,2,,,,,,,,,,,,,  
30,1,,22217-080000,,,"SPRING WASHER 8",4,4,4,4,,,,,,,,,,,,,  
31,1,,22217-080000,,,"SPRING WASHER 8",8,8,8,8,,,,,,,,,,,,,  
32,1,,22217-080000,,,"SPRING WASHER 8",2,2,2,2,,,,,,,,,,,,,  
33,1,,22217-100000,,,"SPRING WASHER 10",4,4,4,4,,,,,,,,,,,,,  
34,1,,23010-038000,,,"CLAMP 38",4,4,4,4,,,,,,,,,,,,,  
35,1,,26013-060252,,,"BOLT M 6X 25",2,2,2,2,,,,,,,,,,,,,  
36,1,,26013-080352,,,"BOLT M 8X 35",2,2,2,2,,,,,,,,,,,,,  
37,1,,26106-080122,,,"BOLT M 8X 12 PLATED",3,3,3,3,,,,,,,,,,,,,  
38,1,,26116-080162,,,"BOLT 8X16",2,2,2,2,,,,,,,,,,,,,  
39,1,,26116-080162,,,"BOLT 8X16",2,2,2,2,,,,,,,,,,,,,  
40,1,,26116-080202,,,"BOLT M 8X 20 PLATED",2,2,2,2,,,,,,,,,,,,,  
41,1,,26116-100202,,,"BOLT M10X 20 PLATED",4,4,4,4,,,,,,,,,,,,,  
42,1,,26366-080002,,,"NUT M 8",3,3,3,3,,,,,,,,,,,,,  
43,1,,26716-080002,,,"NUT M 8",8,8,8,8,,,,,,,,,,,,,  
44,1,,933168-55770,,,"BAND 146",1,1,1,1,,,,,,,,,,,,,  
45,1,,26116-080162,,,"BOLT 8X16",1,1,1,1,,,,,,,,,,,,,  
46,1,,22217-080000,,,"SPRING WASHER 8",1,1,1,1,,,,,,,,,,,,,  
47,1,,26716-080002,,,"NUT M 8",1,1,1,1,,,,,,,,,,,,,  
48,1,,119230-44500,,,"RADIATOR",1,1,1,1,,,,,,,,,,,,,  
49,2,,119259-44570,,,"CAP,  
RADIATOR",1,1,1,1,,,"W",\*,M/#00501,\*,M/#00501,\*,M/#00501,\*,M/#00501,,,



1,1,,772157-14100,, "FUEL TANK ASSY",1,1,1,1,,,,,,,,,,,,,  
3,2,,172141-14260,, FLOAT,1,1,1,1,,,,,,,,,,,,,  
4,2,,172137-14280,, "GAUGE, FUEL OIL",1,1,,,,,,,,,,,,,  
4-1,2,,172137-14281,, "GAUGE, FUEL  
OIL",1,1,,,,,N,,72155167,M/#00796,72155167,M/#00796,,,,,,  
4-2,2,,172137-14282,, "HOSE, FUEL  
GAUGE",1,1,1,1,,,,,N,,72168223,M/#03009,72168223,M/#03009,,,,,,  
5,2,,172137-14290,, PLATE,1,1,,,,,,,,,,,,,  
5-1,2,,172137-  
14291,, PLATE,1,1,1,1,,,,,N,,72155167,M/#00796,72155167,M/#00796,,,,,,  
6,2,,172122-14300,, "CAP, FUEL TANK",1,1,1,1,,,,,,,,,,,,,  
6-1,2,,172122-14301,, "CAP, FUEL  
TANK",1,1,1,1,,,,,N,,72164417,M/#04378,72164417,M/#04378,72164417,M/#04378,7216441  
7,M/#04378,,,  
7,3,,105430-55070,, GASKET,1,1,1,1,,,,,,,,,,,,,  
7-1,3,,172122-  
14350,, GASKET,1,1,1,1,,,,,S,1,72964017,M/#04378,72964017,M/#04378,72964017,M/#0437  
8,72964017,M/#04378,,,  
8,2,,101504-55101,, "STRAINER, FUEL INLET",1,1,1,1,,,,,,,,,,,,,  
8-1,2,,172183-14250,, "FILTER  
(FUEL",1,1,1,1,,,,,N,,72183182,M/#03903,72183182,M/#03903,72183182,M/#03903,721831  
82,M/#03903,,,  
9,2,,23010-014000,, "CLAMP 14",2,2,2,2,,,,,,,,,,,,,  
10,2,,23491-140002,, "PLUG 14",1,1,1,1,,,,,,,,,,,,,  
11,2,,24311-000160,, "O-RING 1A P-16.0",1,1,1,1,,,,,,,,,,,,,  
12,1,,26013-100252,, "BOLT W/WASHER M10X25",4,4,4,4,,,,,,,,,,,,,  
13,1,,1E6299-03000,, "PIPE, FUEL",2,2,2,2,,,,,,,,,,,,,  
14,1,,172116-14620,, "PIPE, FUEL",1,1,1,1,,,,,,,,,,,,,  
15,1,,172126-16540,, "CLAMP 10X70",1,1,1,1,,,,,,,,,,,,,  
16,1,,129335-55700,, "SEPARATOR, WATER",1,1,1,1,,,,,,,,,,,,,  
17,2,,104200-55321,, "VALVE, TAPER",1,1,1,1,,,,,,,,,,,,,  
18,2,,104200-55330,, "SPRING, TAPER VALVE",1,1,1,1,,,,,,,,,,,,,  
19,2,,104200-55341,, "HANDLE, COCK",1,1,1,1,,,,,,,,,,,,,  
20,2,,124064-55510,, "BOWL, FUEL STRAINER",1,1,1,1,,,,,,,,,,,,,  
21,2,,102103-55520,, O-RING,1,1,1,1,,,,,,,,,,,,,  
22,2,,110250-55610,, "RING, RETAINING",1,1,1,1,,,,,,,,,,,,,  
23,2,,121257-55720,, "SPRING, SCREEN",1,1,1,1,,,,,,,,,,,,,  
24,2,,121257-55731,, FLOAT,1,1,1,1,,,,,,,,,,,,,  
26,2,,101720-55750,, "PLUG 6",2,2,2,2,,,,,,,,,,,,,  
27,2,,104200-55750,, "SCREW M 4",1,1,1,1,,,,,,,,,,,,,  
28,2,,171081-55910,, SCREEN,1,1,1,1,,,,,,,,,,,,,  
29,2,,23418-060000,, "GASKET 6, NYLON",2,2,2,2,,,,,,,,,,,,,  
30,2,,24311-240100,, "O-RING 1A P-10A",1,1,1,1,,,,,,,,,,,,,  
31,1,,124766-59050,, "CLAMP 12",6,6,6,6,,,,,,,,,,,,,  
32,1,,1A1380-59480,, "CLAMP A, SM.&DYN.CORD",2,2,2,2,,,,,,,,,,,,,  
33,1,,22137-080000,, "WASHER 8, POLISHED",1,1,1,1,,,,,,,,,,,,,  
34,1,,22137-100000,, "WASHER 10, POLISHED",1,1,1,1,,,,,,,,,,,,,  
35,1,,22217-080000,, "SPRING WASHER 8",1,1,1,1,,,,,,,,,,,,,  
36,1,,26116-080652,, "BOLT M 8X 65 PLATED",1,1,1,1,,,,,,,,,,,,,  
37,1,,933168-55770,, "BAND 146",1,1,1,1,,,,,,,,,,,,,  
38,1,,933110-00301,, "KEY ASSY",1,1,1,1,,,,,,,,,,,,,

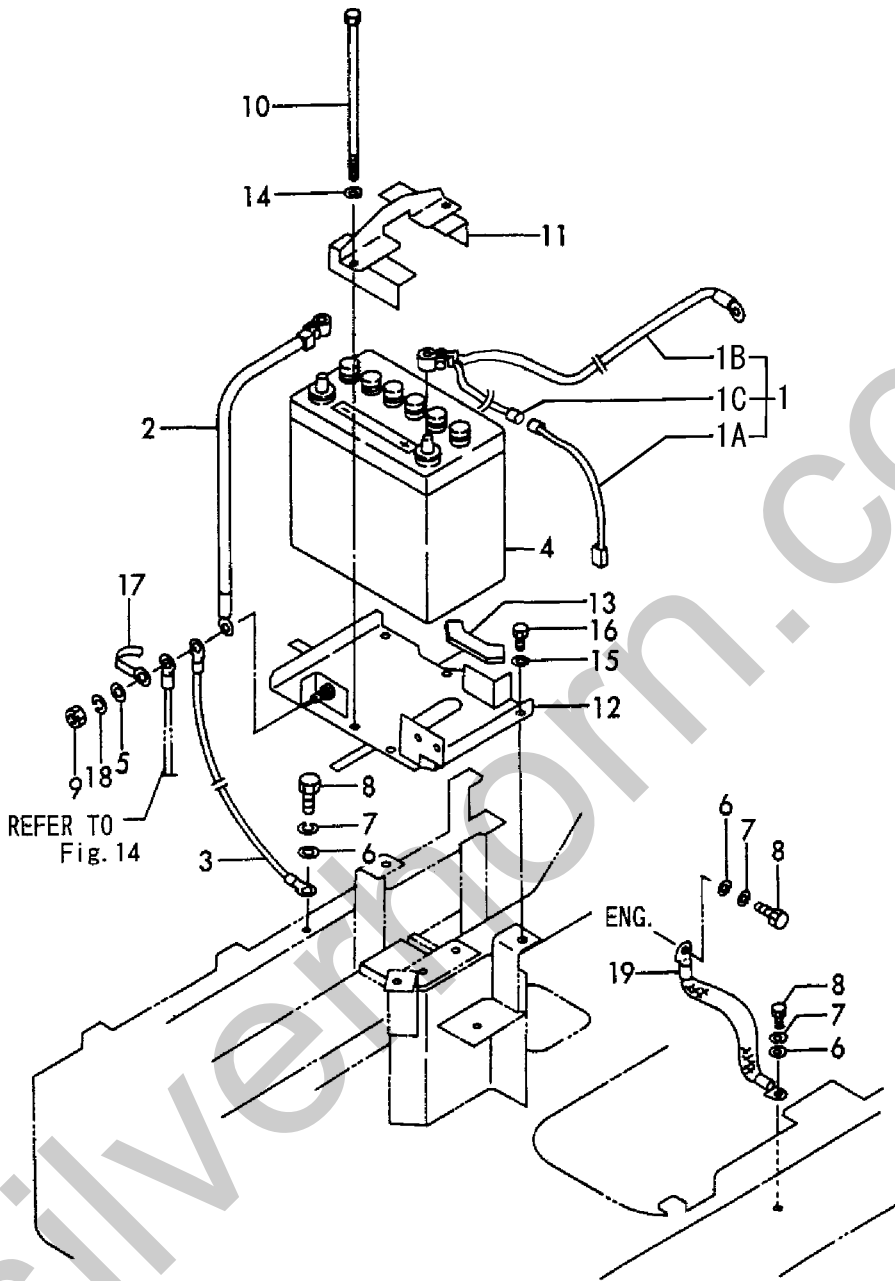
見出しNo. 1は  
見出しNo. (1)から11を含みます。  
1 INC. (1)~11



1,1,,172157-16100,, "CABLE, BATTERY",1,1,1,1,,,,,,,,,,,,,  
1A,2,,172157-16550,, "LINK, FUSIBLE",1,1,1,1,,,,,,,,,,,,,  
1B,2,,172157-  
16110,, "CORD(+), BATTERY",1,1,1,1,,,W,,72164453,M/#00501,72164453,M/#00501,721644  
53,M/#00501,72164453,M/#00501,,,,,I  
1C,2,,172164-16120,, "COUPLER,  
WIRE",1,1,1,1,,,W,,72164453,M/#00501,72164453,M/#00501,72164453,M/#00501,7216445  
3,M/#00501,,,,,I  
2,1,,172149-16110,, "HARNESS, BATTERY",1,1,1,1,,,,,,,,,,,,,  
3,1,,172157-16200,, "CABLE, BATTERY",1,1,1,1,,,,,,,,,,,,,  
4,1,,194630-51310,, "BATTERY NS60, DRY",1,1,1,1,,,,,,,,,,,,,  
5,1,,22137-080000,, "WASHER 8, POLISHED",1,1,1,1,,,,,,,,,,,,,  
6,1,,22137-100000,, "WASHER 10, POLISHED",3,3,3,3,,,,,,,,,,,,,  
7,1,,22217-100000,, "SPRING WASHER 10",3,3,3,3,,,,,,,,,,,,,  
8,1,,26116-100162,, "BOLT M10X 16 PLATED",3,3,3,3,,,,,,,,,,,,,  
9,1,,26716-080002,, "NUT M 8",1,1,1,1,,,,,,,,,,,,,  
10,1,,172310-16080,, "BOLT, BATTERY",2,2,2,2,,,,,,,,,,,,,  
11,1,,172157-16300,, "CLAMP, BATTERY",1,1,1,1,,,,,,,,,,,,,  
12,1,,172157-16330,, "SUPPORT, BATTERY",1,1,1,1,,,,,,,,,,,,,  
13,1,,172157-16380,, RUBBER,1,1,1,1,,,,,,,,,,,,,  
14,1,,22217-080000,, "SPRING WASHER 8",2,2,2,2,,,,,,,,,,,,,  
15,1,,22217-100000,, "SPRING WASHER 10",3,3,3,3,,,,,,,,,,,,,  
16,1,,26116-100202,, "BOLT M10X 20 PLATED",3,3,3,3,,,,,,,,,,,,,  
17,1,,194440-51620,, "CLAMP, WIRE HARNESS",1,1,1,1,,,,,,,,,,,,,  
18,1,,22217-080000,, "SPRING WASHER 8",1,1,1,1,,,,,,,,,,,,,  
19,1,,172157-16200,, "CABLE, BATTERY",1,1,,,,,,,,,,,,,  
19-1,1,,933171-15801,, "WIRE,  
EARTH",1,1,1,1,,,N,,72157146,M/#00961,72157146,M/#00961,,,,,,



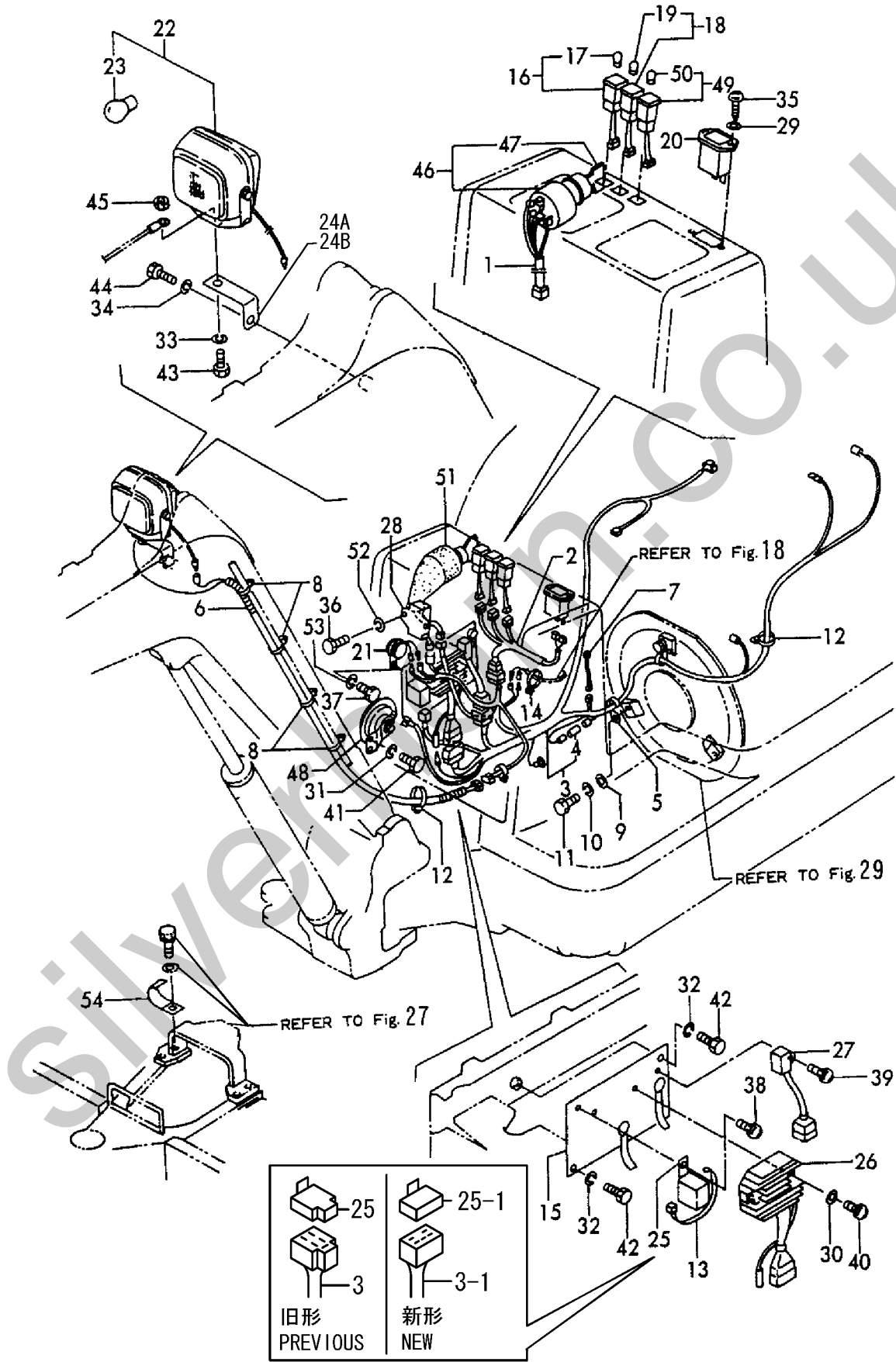




1,1,,172157-16500,, "HARNESS, WIRE A",1,1,1,1,,,,,,,,,,,,,  
2,1,,172157-16510,, "HARNESS, WIRE B",1,1,1,1,,,,,,,,,,,,,  
3,1,,172157-16520,, "HARNESS, WIRE C",1,1,,,,,,,,,,,,,  
3-1,1,,172157-16521,, "HARNESS, WIRE  
C",1,1,1,1,, ,S,,72157162,M/#02341,72157162,M/#02341,,,,,,,,,  
4,2,,29411-100000,, "FUZE (10A),CARTRIDGE",2,2,2,2,,,,,,,,,,,,,  
5,1,,172126-16540,, "CLAMP 10X70",2,2,2,2,,,,,,,,,,,,,  
6,1,,172157-16540,, "HARNESS, WIRE",1,1,1,1,,,,,,,,,,,,,  
7,1,,172157-16550,, "LINK, FUSIBLE",1,1,1,1,,,,,,,,,,,,,  
8,1,,172137-16560,, BAND,4,4,4,4,,,,,,,,,,,,,  
9,1,,22137-100000,, "WASHER 10,POLISHED",2,2,2,2,,,,,,,,,,,,,  
10,1,,22217-100000,, "SPRING WASHER 10",2,2,2,2,,,,,,,,,,,,,  
11,1,,26116-100162,, "BOLT M10X 16 PLATED",2,2,2,2,,,,,,,,,,,,,  
12,1,,933168-55770,, "BAND 146",8,8,8,8,,,,,,,,,,,,,  
13,1,,933168-55770,, "BAND 146",1,1,1,1,,,,,,,,,,,,,  
14,1,,933168-55770,, "BAND 146",1,1,1,1,,,,,,,,,,,,,  
15,1,,172157-17100,, "BRACKET, REGULATOR",1,1,1,1,,,,,,,,,,,,,  
16,1,,172149-17120,, LAMP,1,1,1,1,,,,,,,,,,,,,  
17,2,,172149-17140,, BULB(12V-3.4W,1,1,1,1,,,,,,,,,,,,,  
18,1,,172149-17130,, LAMP,1,1,1,1,,,,,,,,,,,,,  
19,2,,172149-17140,, BULB(12V-3.4W,1,1,1,1,,,,,,,,,,,,,  
20,1,,172156-17140,, "METER, HOUR",1,1,1,1,,,,,,,,,,,,,  
21,1,,172141-17150,, BUZZER,1,1,1,1,,,,,,,,,,,,,  
22,1,,172156-17401,, "LAMP, WORK",1,1,1,1,,,,,,,,,,,,,  
23,2,,172156-17420,, "BULB 12V-27W",1,1,1,1,,,,,,,,,,,,,  
24A,1,,172156-17430,, "STAY,LAMP (GREEN:76)",1,,1,1,,,,,,,,,,,,,  
24A-1,1,,172156-17430-4,, "STAY,LAMP  
(GREEN:85)",1,,1,1,, ,S,,\*,M/#01831,,\*,M/#01831,\*M/#01831,,,  
24B,1,,172156-17430-3,, "STAY,LAMP(YELLOW:70)",,1,,,,,,,,,,,,,  
25,1,,121522-77101,, RELAY,1,1,,,,,,,,,,,,,  
25-1,1,,119247-77100,, "RELAY,  
SAFETY",1,1,1,1,, ,S,,72157162,M/#02341,72157162,M/#02341,,,,,,,,,  
26,1,,119230-77710,, "LIMITER, CURRENT",1,1,1,1,,,,,,,,,,,,,  
27,1,,121522-77721,, "INDICATOR, CHARGING",1,1,1,1,,,,,,,,,,,,,  
28,1,,129155-77810,, RESISTOR,1,1,1,1,,,,,,,,,,,,,  
29,1,,22137-030000,, "WASHER 3",2,2,2,2,,,,,,,,,,,,,  
30,1,,22137-060000,, "WASHER 6, POLISHED",2,2,2,2,,,,,,,,,,,,,  
31,1,,22217-060000,, "SPRING WASHER 6",2,2,2,2,,,,,,,,,,,,,  
32,1,,22217-080000,, "SPRING WASHER 8",2,2,2,2,,,,,,,,,,,,,  
33,1,,22217-080000,, "SPRING WASHER 8",1,1,1,1,,,,,,,,,,,,,  
34,1,,22217-100000,, "SPRING WASHER 10",1,1,1,1,,,,,,,,,,,,,  
35,1,,22857-300100,, "SCREW 3X10,TAPPING",2,2,2,2,,,,,,,,,,,,,  
36,1,,26116-060122,, "BOLT 6X12",2,2,2,2,,,,,,,,,,,,,  
37,1,,26116-060122,, "BOLT 6X12",1,1,1,1,,,,,,,,,,,,,  
38,1,,26022-060122,, "SCREW M 6X 12",1,1,1,1,,,,,,,,,,,,,  
39,1,,26022-060162,, "SCREW M 6X 16",1,1,1,1,,,,,,,,,,,,,  
40,1,,26022-060252,, "SCREW M 6X 25",2,2,2,2,,,,,,,,,,,,,  
41,1,,26116-060122,, "BOLT 6X12",2,2,2,2,,,,,,,,,,,,,  
42,1,,26116-080122,, "BOLT M 8X 12 PLATED",2,2,2,2,,,,,,,,,,,,,  
43,1,,26116-080162,, "BOLT 8X16",1,1,1,1,,,,,,,,,,,,,  
44,1,,26116-100162,, "BOLT M10X 16 PLATED",1,1,1,1,,,,,,,,,,,,,  
45,1,,26716-080002,, "NUT M 8",1,1,1,1,,,,,,,,,,,,,  
46,1,,933110-00100,, "SWITCH ASSY, STARTER",1,1,1,1,,,,,,,,,,,,,  
47,2,,933110-00301,, "KEY ASSY",1,1,1,1,,,,,,,,,,,,,  
48,1,,933110-05300,, HORN,1,1,1,1,,,,,,,,,,,,,  
48-1,1,,933110-  
05301,, HORN,1,1,1,1,, ,N,,72422128,M/#05756,72422128,M/#05756,72422128,M/#05756,7  
2422128,M/#05756,, ,  
49,1,,933113-05190,, "LAMP, OIL",1,1,1,1,,,,,,,,,,,,,  
50,2,,933113-05180,, "BULB 12V 3W",1,1,1,1,,,,,,,,,,,,,  
51,1,,933113-15900,, "COVER, SWITCH TERMI.",1,1,1,1,,,,,,,,,,,,,  
52,1,,22217-060000,, "SPRING WASHER 6",2,2,2,2,,,,,,,,,,,,,  
53,1,,22217-060000,, "SPRING WASHER 6",1,1,1,1,,,,,,,,,,,,,

54,1,,1A1380-59480,, "CLAMP A,SM.&DYN.CORD",1,1,1,1,,,,,,,,,,,,,

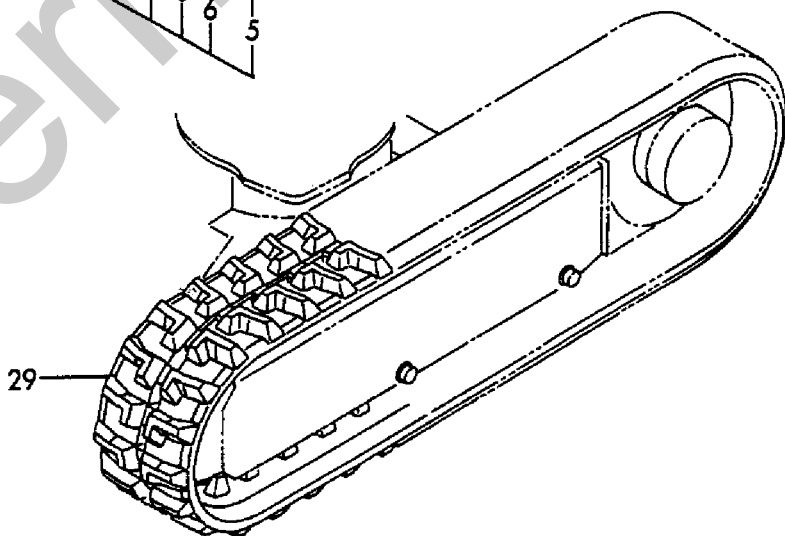
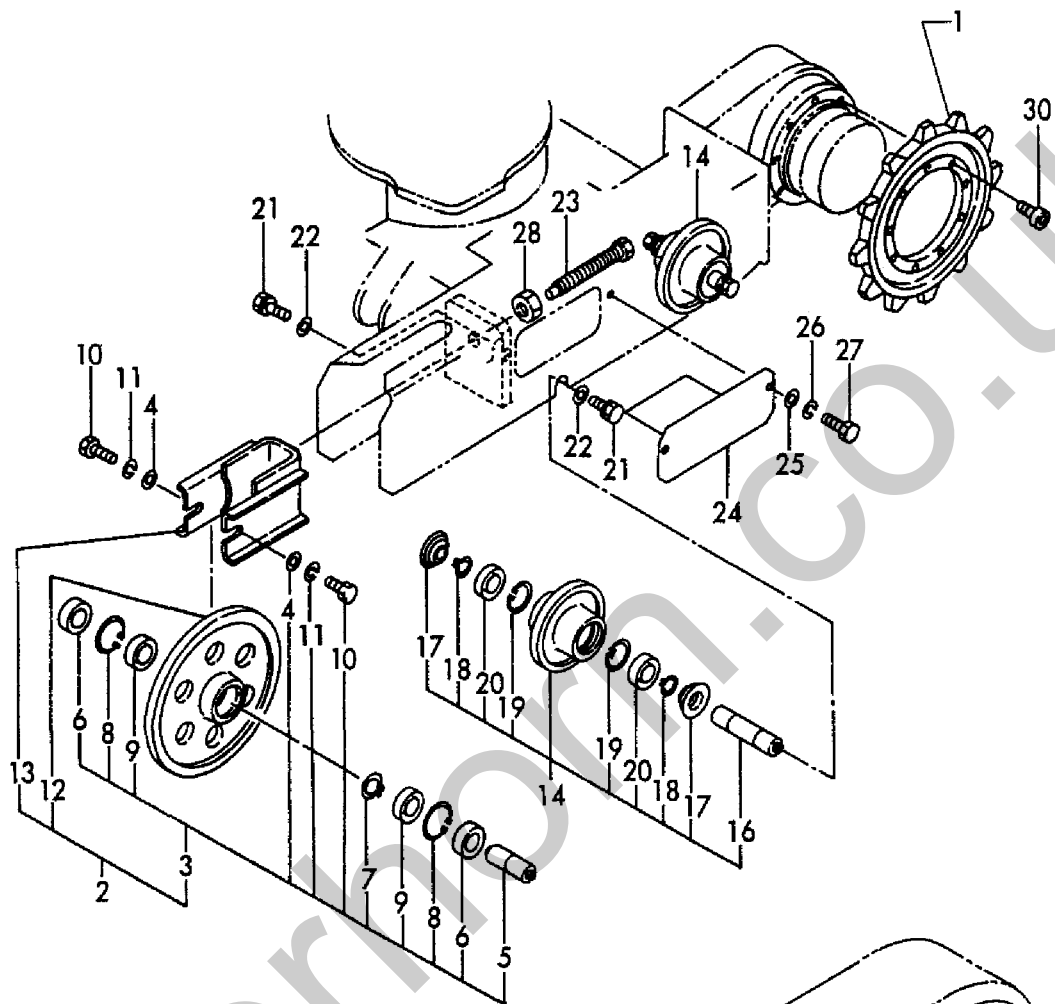
Silverhorn.CO.UK



旧形 PREVIOUS	新形 NEW

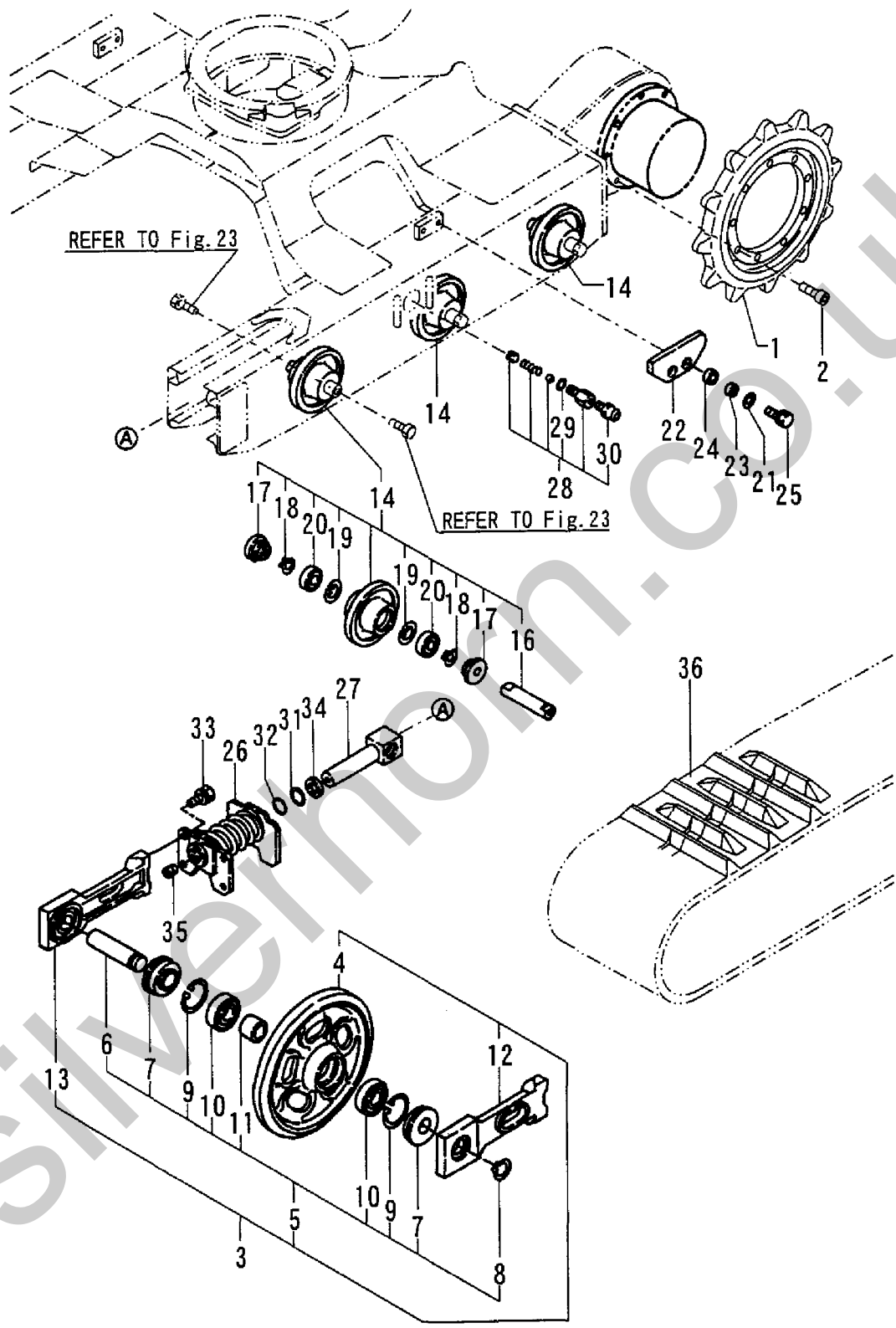
1,1,,172157-29100,,SPROCKET,2,2,2,2,,,,,,,,,,,,,  
1-1,1,,172157-29101,,,"SPROCKET  
T12",2,2,2,2,,N,,72446128,XXX,72446128,XXX,72446128,XXX,72446128,XXX,,,,,I  
2,1,,772157-37100,,,"IDLER ASSY",2,2,2,2,,,,,,,,,,,,,  
2-1,1,,772157-37101,,,"IDLER  
ASSY",2,2,2,2,,N,,72157169,M/#03503,72157169,M/#03503,72157169,M/#03503,7215716  
9,M/#03503,,,  
3,2,,172157-99490,,,"KIT, FRONT IDLER",2,2,2,2,,W,,\*,M/#00501,\*M/#00501,,,,,,,,,  
4,3,,933152-03700,,,"WASHER, SIDE CLUTCH",4,4,4,4,,,,,,,,,,,,,  
5,3,,172157-37120,,,"SHAFT, IDLER",2,2,2,2,,,,,,,,,,,,,  
6,3,,1A1060-48300,,,"SEAL QLN306213.2,OIL",4,4,4,4,,,,,,,,,,,,,  
7,3,,22242-000300,,,"CIRCLIP 30",2,2,2,2,,,,,,,,,,,,,  
8,3,,22252-000620,,,"CIRCLIP 62(H)",4,4,4,4,,,,,,,,,,,,,  
9,3,,24101-062064,,,"BALL BEARING",4,4,4,4,,,,,,,,,,,,,  
10,3,,26116-120252,,,"BOLT M12X 25 PLATED",4,4,4,4,,,,,,,,,,,,,  
11,3,,22217-120000,,,"SPRING WASHER",4,4,4,4,,,,,,,,,,,,,  
12,2,,172157-37101,,,"IDLER 250",2,2,2,2,,,,,,,,,,,,,  
12-1,2,,172157-  
37102,,,"IDLER",2,2,2,2,,N,,72186050,M/#03745,72186050,M/#03745,72186050,M/#03745,  
72186050,M/#03745,,,  
13,2,,172157-37111,,,"SLIEDER",2,2,2,2,,,,,,,,,,,,,  
13-1,2,,172157-37112,,,"SLIEDER  
ASSY",2,2,2,2,,N,,72157169,M/#03503,72157169,M/#03503,72157169,M/#03503,7215716  
9,M/#03503,,,  
14,1,,772156-37300,,,"ROLLER ASSY, TRACK",4,4,4,4,,,,,,,,,,,,,  
16,2,,172155-37310,,,"SHAFT, ROLLER",4,4,4,4,,,,,,,,,,,,,  
17,2,,172137-37360,,,"SEAL",8,8,8,8,,,,,,,,,,,,,  
18,2,,22242-000250,,,"CIRCLIP 25S",8,8,8,8,,,,,,,,,,,,,  
19,2,,22252-000470,,,"CIRCLIP 47",8,8,8,8,,,,,,,,,,,,,  
20,2,,24101-060054,,,"BALL BEARING",8,8,8,8,,,,,,,,,,,,,  
21,2,,26013-120252,,,"BOLT M12X 25",8,8,8,8,,,,,,,,,,,,,  
22,2,,933152-03700,,,"WASHER, SIDE CLUTCH",8,8,8,8,,,,,,,,,,,,,  
23,1,,172157-37720,,,"BOLT, AJUST",2,2,2,2,,,,,,,,,,,,,  
24,1,,172157-37760,,,"COVER",2,2,2,2,,,,,,,,,,,,,  
25,1,,22137-080000,,,"WASHER 8, POLISHED",4,4,4,4,,,,,,,,,,,,,  
26,1,,22217-080000,,,"SPRING WASHER 8",4,4,4,4,,,,,,,,,,,,,  
27,1,,26116-080202,,,"BOLT M 8X 20 PLATED",4,4,4,4,,,,,,,,,,,,,  
28,1,,26716-200002,,,"NUT M20",2,2,2,2,,,,,,,,,,,,,  
29,1,,172157-38600,,,"CRAWLER, RUBBER",2,2,2,2,,,,,,,,,,,,,  
30,1,,26450-100252,,,"BOLT M10X 25",18,18,18,18,,,,,,,,,,,,,





1,1,,172449-29100,,SPROCKET,2,,,,,,,,,,,,,,,,,,,,,  
2,1,,26450-100252,, "BOLT M10X 25",18,,,,,,,,,,,,,,,,,,,,,  
3,1,,772183-37100,, "IDLER ASSY",2,,,,,,,,,,,,,,,,,,,,,  
4,2,,172183-37100,, "IDLER 302",2,,,,,,,,,,,,,,,,,,,,,  
5,2,,172137-99490,, "IDLER KIT, FRONT",2,,,,,,,,,,,,,,,,,,,,,  
6,3,,172137-37110,, "SHAFT, IDLER",2,,,,,,,,,,,,,,,,,,,,,  
7,3,,1A1030-48250,, "SEAL QLF30621218,OIL",4,,,,,,,,,,,,,,,,,,,,,  
8,3,,22242-000300,, "CIRCLIP 30",2,,,,,,,,,,,,,,,,,,,,,  
9,3,,22252-000620,, "CIRCLIP 62(H)",4,,,,,,,,,,,,,,,,,,,,,  
10,3,,24101-062064,, "BALL BEARING",4,,,,,,,,,,,,,,,,,,,,,  
11,3,,933168-13990,, "COLLAR(B), IDLE.SHAFT",2,,,,,,,,,,,,,,,,,,,,,  
12,2,,172137-37130,, "COVER (L), SEAL",2,,,,,,,,,,,,,,,,,,,,,  
13,2,,172137-37140,, "COVER (R), SEAL",2,,,,,,,,,,,,,,,,,,,,,  
14,1,,772137-37300,, "ROLLER ASSY, TRUCK",6,,,,,,,,,,,,,,,,,,,,,  
16,2,,172137-37330,, "SHAFT, TRACK ROLLER",6,,,,,,,,,,,,,,,,,,,,,  
17,2,,172137-37360,, SEAL,12,,,,,,,,,,,,,,,,,,,,,  
18,2,,22242-000250,, "CIRCLIP 25S",12,,,,,,,,,,,,,,,,,,,,,  
19,2,,22252-000470,, "CIRCLIP 47",12,,,,,,,,,,,,,,,,,,,,,  
20,2,,24101-060054,, "BALL BEARING",12,,,,,,,,,,,,,,,,,,,,,  
21,1,,172110-36010,, COLLAR,4,,,,,,,,,,,,,,,,,,,,,  
22,1,,172183-37500,, "PLATE,SHOE BAFFLE",2,,,,,,,,,,,,,,,,,,,,,  
23,1,,172183-37510,, "COLLAR 11X16X13",4,,,,,,,,,,,,,,,,,,,,,  
24,1,,172183-37520,, "COLLAR 16X24X13,RBBR",4,,,,,,,,,,,,,,,,,,,,,  
25,1,,26013-100352,, "BOLT M10X 35",4,,,,,,,,,,,,,,,,,,,,,  
26,1,,172137-37710,, "SPRING, ADJUSTING",2,,,,,,,,,,,,,,,,,,,,,  
27,1,,172137-37801,, "TUBE, ADJUSTER",2,,,,,,,,,,,,,,,,,,,,,  
28,1,,172122-37843,, "VALVE ASSY, NIPPLE",2,,,,,,,,,,,,,,,,,,,,,  
29,2,,24315-000140,, "O-RING 1B P-14.0",2,,,,,,,,,,,,,,,,,,,,,  
30,2,,24761-020000,, "NIPPLE PT1/8,GREASE",2,,,,,,,,,,,,,,,,,,,,,  
31,1,,172137-37850,, "RING, BACK UP",2,,,,,,,,,,,,,,,,,,,,,  
32,1,,24315-000300,, "O-RING 1B P-30.0",2,,,,,,,,,,,,,,,,,,,,,  
33,1,,26013-100302,, "BOLT M10X 30",8,,,,,,,,,,,,,,,,,,,,,  
34,1,,933126-38600,, "SEAL, DUST",2,,,,,,,,,,,,,,,,,,,,,  
35,1,,933171-13691,, "PLUG PT1/8",2,,,,,,,,,,,,,,,,,,,,,  
36,1,,172454-38600,, "CRAWLER, RUBBER",2,,,,,,,,,,,,,,,,,,,,,

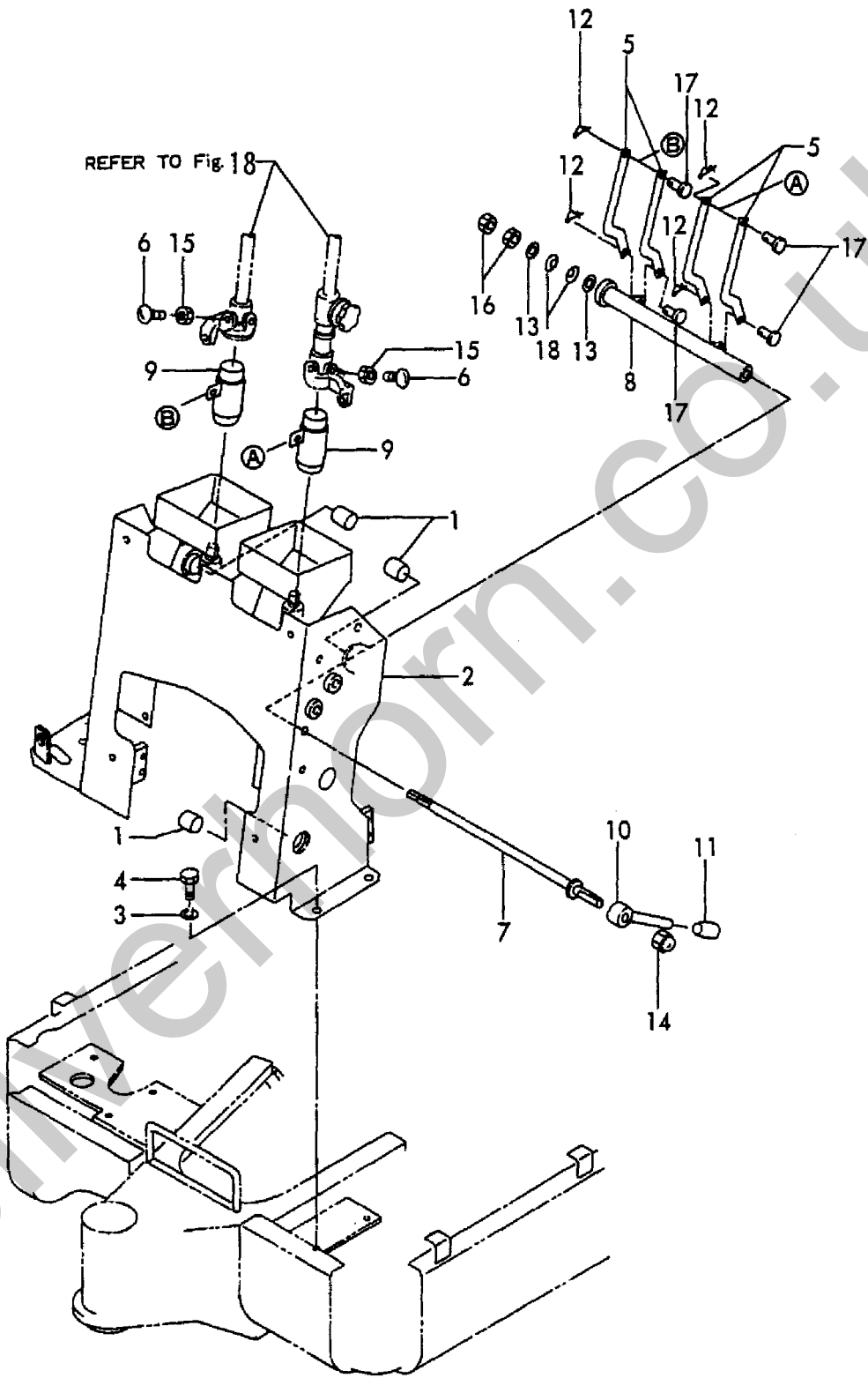




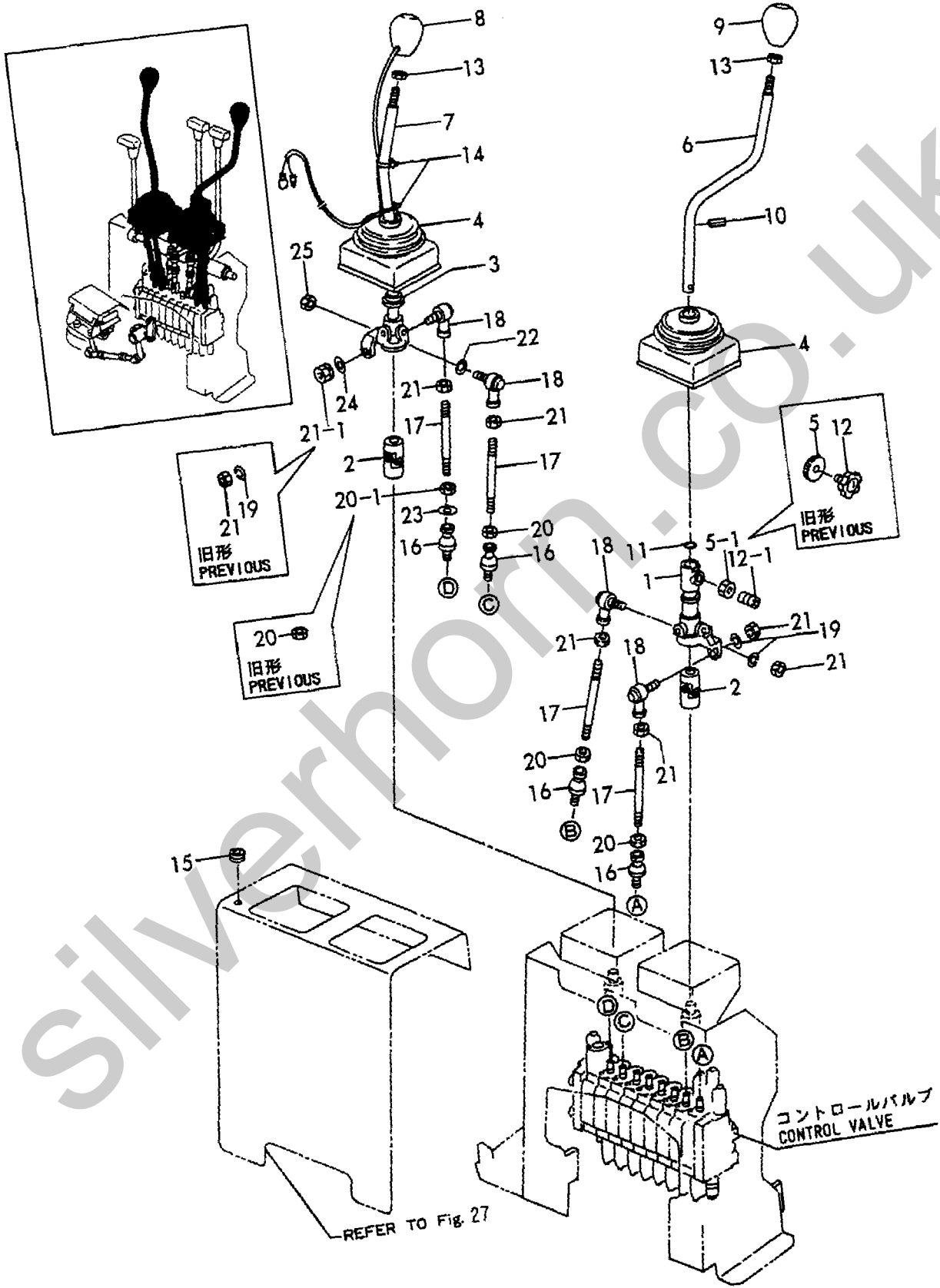


1,1,,172141-41370,, "BUSH 2015",3,3,3,3,,,,,,,,,,,,,  
2,1,,172157-45400,, "SUPPORT, LINK(GRAY:73",1,1,1,1,,,,,,,,,,,,,  
3,1,,22217-100000,, "SPRING WASHER 10",5,5,5,5,,,,,,,,,,,,,  
4,1,,26116-100202,, "BOLT M10X 20 PLATED",5,5,5,5,,,,,,,,,,,,,  
5,1,,172141-42700,, "LINK, LOCK",4,4,4,4,,,,,,,,,,,,,  
5-1,1,,172141-42701,, "LINK,  
LOCK",4,4,4,4,, ,N,,72171093,M/#03540,72171093,M/#03540,72171093,M/#03540,72171093,M/#03540,, ,  
6,1,,172141-42750,, "BOLT, STOPPER",8,8,8,8,,,,,,,,,,,,,  
7,1,,172157-45540,, SHAFT,1,1,1,1,,,,,,,,,,,,,  
8,1,,172157-45560,, ARM,1,1,1,1,,,,,,,,,,,,,  
9,1,,172157-45580,, PIPE,2,2,2,2,,,,,,,,,,,,,  
9-1,1,,172157-45581,, "PIPE,  
LOCK",2,2,2,2,, ,R,,72186062,M/#03716,72186062,M/#03716,72186062,M/#03716,72186062,M/#03716,, ,  
10,1,,172156-45700,, "LEVER, LOCK (RED:50)",1,1,1,1,,,,,,,,,,,,,  
11,1,,172116-46630,, "KNOB, LOCK LEVER",1,1,1,1,,,,,,,,,,,,,  
12,1,,1C6281-52310,, "PIN 6, COME-OFF SNAP",4,4,4,4,,,,,,,,,,,,,  
13,1,,22137-120000,, "WASHER 12, POLISHED",2,2,2,2,,,,,,,,,,,,,  
14,1,,26656-120002,, "CAP NUT M12",1,1,1,1,,,,,,,,,,,,,  
15,1,,26756-080002,, "LOCK NUT M 8 PLATED",8,8,8,8,,,,,,,,,,,,,  
16,1,,26756-120002,, "LOCK NUT 12",2,2,2,2,,,,,,,,,,,,,  
17,1,,933110-54100,, "PIN 4.75X14",4,4,4,4,,,,,,,,,,,,,  
18,1,,933170-01490,, "SPRING 12",2,2,2,2,,,,,,,,,,,,,





1,1,,172141-41150,, "LINK(L), LEVER",1,1,1,1,,,,,,,,,,,,,  
2,1,,172141-41160,, JOINT,2,2,2,2,,,,,,,,,,,,,  
3,1,,172141-41310,, GROMMET(BLACK),1,1,1,1,,,,,,,,,,,,,  
3-1,1,,172141-  
41311,, GROMMET(GRAY),1,1,1,1,,,S,,,72141401,M/#01104,72141401,M/#01104,72141401,M  
/#01104,72141401,M/#01104,,,  
4,1,,172141-41330,, "BOOTS, LEVER (BLACK)",2,2,2,2,,,,,,,,,,,,,  
4-1,1,,172141-41331,, "BOOTS, LEVER  
(GRAY)",2,2,2,2,,,S,1,72141401,M/#01104,72141401,M/#01104,72141401,M/#01104,7214  
1401,M/#01104,,,  
5,1,,172141-41380,, NUT,1,1,,,,,,,,,,,,,  
5-1,1,,26756-080002,, "LOCK NUT M 8  
PLATED",1,1,1,1,,,S,,,72149172,M/#01727,72149172,M/#01727,,,,,  
6,1,,172157-45100,, "LEVER,L (GRAY:73)",1,1,1,1,,,,,,,,,,,,,  
7,1,,172157-45111,, "LEVER,R CMP(GRAY:73)",1,1,1,1,,,,,,,,,,,,,  
8,1,,172312-46301,, KNOB(A),1,1,1,1,,,,,,,,,,,,,  
9,1,,172312-46321,, KNOB(B),1,1,1,1,,,,,,,,,,,,,  
10,1,,22351-030010,, "SPRING PIN 3X10",1,1,1,1,,,,,,,,,,,,,  
11,1,,24311-000140,, "O-RING 1A P-14.0",1,1,1,1,,,,,,,,,,,,,  
12,1,,26063-080201,, "BOLT M 8X 20",1,1,,,,,,,,,,,,,  
12-1,1,,26979-080162,, "SCREW M  
8X16",1,1,1,1,,,S,,,72149172,M/#01727,72149172,M/#01727,,,,,  
13,1,,26757-100002,, "LOCK NUT M10",2,2,2,2,,,,,,,,,,,,,  
14,1,,933168-55770,, "BAND 146",2,2,2,2,,,,,,,,,,,,,  
15,1,,933168-56000,, "GROMMET 17X 9",1,1,1,1,,,,,,,,,,,,,  
16,1,,172157-45630,, "BALL 6, LINK",4,4,4,4,,,,,,,,,,,,,  
17,1,,172157-45640,, ROD,4,4,4,4,,,,,,,,,,,,,  
18,1,,172122-46590,, "ELBALL 8",4,4,4,4,,,,,,,,,,,,,  
19,1,,22217-080000,, "SPRING WASHER  
8",3,3,,,,,Z,,,72157145,M/#01012,72157145,M/#01012,,,,,  
20,1,,26716-060002,, "NUT 6",4,4,,,,,,,,,,,,,  
20-1,1,,26051-060002,, "NUT M  
6",4,4,4,4,,,N,,,72157145,M/#01012,72157145,M/#01012,,,,,  
21,1,,26716-080002,, "NUT M 8",7,7,7,7,,,,,,,,,,,,,  
21-1,1,,26051-080002,, "NUT M  
8",7,7,7,7,,,N,,,72157145,M/#01012,72157145,M/#01012,,,,,  
22,1,,172157-45840,, "WASHER 8X18X4",1,1,1,1,,,,,,,,,,,,,  
23,1,,22137-060000,, "WASHER 6,  
POLISHED",4,4,4,4,,,W,,,72157145,M/#01012,72157145,M/#01012,,,,,  
24,1,,22137-080000,, "WASHER 8,  
POLISHED",4,4,4,4,,,W,,,72157145,M/#01012,72157145,M/#01012,,,,,  
25,1,,26716-080002,, "NUT M 8",1,1,1,1,,,,,,,,,,,,,



1,1,,172137-45080,, "KNOB, LEVER",2,2,2,2,,,,,,,,,,,,,  
2,1,,172157-45850,, "LEVER,L TRACK (73)",1,1,,,,,,,,,,,,,  
2-1,1,,172157-45851,, "LEVER,L W/BUSH  
(73)",1,1,1,1,,, F,1,72157155,M/#01931,72157155,M/#01931,,,,,,,,,  
3,2,,172141-41370,, "BUSH 2015",2,2,2,2,,,,,,,,,,,,,  
4,1,,172157-45900,, "LEVER,R TRACK (73)",1,1,,,,,,,,,,,,,  
4-1,1,,172157-45901,, "LEVER,R W/BUSH  
(73)",1,1,1,1,,, S,72157155,M/#01931,72157155,M/#01931,,,,,,,,,  
5,2,,172141-41370,, "BUSH 2015",2,2,2,2,,,,,,,,,,,,,  
6,1,,172124-46200,, "O-RING 27X5.7",4,4,4,4,,,,,,,,,,,,,  
7,1,,24761-050000,, "NIPPLE C,GREASE",2,2,2,2,,,,,,,,,,,,,  
8,1,,172157-45360,, "LINK W/BUSH, SWING",1,1,1,1,,,,,,,,,,,,,  
9,2,,172141-41360,, "BUSH 1415",2,2,2,2,,,,,,,,,,,,,  
10,1,,172157-45790,, "SHAFT",1,1,1,1,,,,,,,,,,,,,  
11,1,,172157-46670,, "LINK, SPOOL",2,2,2,2,,,,,,,,,,,,,  
12,1,,22217-100000,, "SPRING WASHER 10",1,1,1,1,,,,,,,,,,,,,  
13,1,,24311-000210,, "O-RING 1A P-21.0",2,2,2,2,,,,,,,,,,,,,  
14,1,,24761-040000,, "NIPPLE B,GREASE",1,1,1,1,,,,,,,,,,,,,  
15,1,,26116-100202,, "BOLT M10X 20 PLATED",1,1,1,1,,,,,,,,,,,,,  
16,1,,172614-45170,, "SPRING 12",1,1,1,1,,,,,,,,,,,,,  
17,1,,172157-45300,, "LINK W/BUSH, PEDAL",1,1,1,1,,,,,,,,,,,,,  
18,2,,172141-41360,, "BUSH 1415",2,2,2,2,,,,,,,,,,,,,  
19,1,,172157-45321,, "HEAD, PEDAL (GRAY:73)",1,1,1,1,,,,,,,,,,,,,  
20,1,,172157-45591,, "LOCK, PEDAL (RED:50)",1,1,1,1,,,,,,,,,,,,,  
21,1,,172157-45621,, "LINK, LOCK (GRAY:73)",1,1,1,1,,,,,,,,,,,,,  
22,1,,172157-45720,, "PIN",1,1,1,1,,,,,,,,,,,,,  
23,1,,172157-45750,, "SHAFT",1,1,1,1,,,,,,,,,,,,,  
24,1,,172157-45990,, "BOOTS, PEDAL",1,1,1,1,,,,,,,,,,,,,  
25,1,,22217-080000,, "SPRING WASHER 8",2,2,2,2,,,,,,,,,,,,,  
26,1,,22217-100000,, "SPRING WASHER 10",1,1,1,1,,,,,,,,,,,,,  
27,1,,22417-200200,, "COTTER PIN 2.0X20",2,2,2,2,,,,,,,,,,,,,  
28,1,,24311-000210,, "O-RING 1A P-21.0",2,2,2,2,,,,,,,,,,,,,  
29,1,,24761-040000,, "NIPPLE B,GREASE",1,1,1,1,,,,,,,,,,,,,  
30,1,,26116-080202,, "BOLT M 8X 20 PLATED",2,2,2,2,,,,,,,,,,,,,  
31,1,,26116-080252,, "BOLT M 8X 25 PLATED",2,2,2,2,,,,,,,,,,,,,  
32,1,,26116-100202,, "BOLT M10X 20 PLATED",1,1,1,1,,,,,,,,,,,,,  
33,1,,26450-080202,, "BOLT M 8X 20",2,2,,,,,,,,,,,,,  
33-1,1,,172165-  
46340,, "BOLT",2,2,2,2,,, N,,72165053,M/#01639,72165053,M/#01639,,,,,,,,,  
34,1,,26716-080002,, "NUT M 8",2,2,2,2,,,,,,,,,,,,,  
35,1,,172072-21370,, "PIN, SPOOL",1,1,1,1,,,,,,,,,,,,,  
36,1,,194200-37780,, "LS-NUT 8",1,1,1,1,,,,,,,,,,,,,  
37,1,,172734-41300,, "BALL, LINK",1,1,1,1,,,,,,,,,,,,,  
38,1,,172157-45650,, "ROD A, SPOOL",2,2,2,2,,,,,,,,,,,,,  
39,1,,172157-45700,, "ROD, 8X100",1,1,1,1,,,,,,,,,,,,,  
40,1,,172122-46590,, "ELBALL 8",1,1,1,1,,,,,,,,,,,,,  
41,1,,172122-47250,, "BALL 8, LINK",2,2,2,2,,,,,,,,,,,,,  
42,1,,1C6281-52310,, "PIN 6,COME-OFF SNAP",3,3,,,,,,,,,,,,,  
42-1,1,,22417-160160,, "COTTER PIN  
1.6X16",3,3,3,3,,, N,,72157160,M/#02030,72157160,M/#02030,,,,,,,,,  
43,1,,1C6281-52320,, "PIN 8,COME-OFF SNAP",1,1,1,1,,,,,,,,,,,,,  
44,1,,22217-080000,, "SPRING WASHER  
8",2,2,,,,, Z,,72157145,M/#01012,72157145,M/#01012,,,,,,,,,  
45,1,,22217-080000,, "SPRING WASHER  
8",2,2,,,,, Z,,72157145,M/#01012,72157145,M/#01012,,,,,,,,,  
46,1,,26716-080002,, "NUT M 8",3,3,,,,,,,,,,,,,  
46-1,1,,26051-080002,, "NUT M  
8",3,3,3,3,,, N,,72157145,M/#01012,72157145,M/#01012,,,,,,,,,  
47,1,,26716-080002,, "NUT M 8",4,4,,,,,,,,,,,,,  
47-1,1,,26051-080002,, "NUT M  
8",4,4,4,4,,, N,,72157145,M/#01012,72157145,M/#01012,,,,,,,,,  
48,1,,933110-54100,, "PIN 4.75X14",2,2,2,2,,,,,,,,,,,,,  
49,1,,933171-21700,, "PIN (B), SPOOL LINK",1,1,1,1,,,,,,,,,,,,,

50,1,,172124-46200,, "O-RING 27X5.7",1,,1,1,,,,,,,,,,,,,  
51,1,,172157-46500,, "LEVER,L TRACK (73)",1,,,,,,,,,,,,,  
51-1,1,,172157-46501,, "LEVER,L W/BUSH  
(73)",1,,1,1,,F,2,72157157,M/#01931,,,,,,,,,,,,,  
52,2,,172141-41370,, "BUSH 2015",2,,2,2,,,,,,,,,,,,,  
53,1,,172157-46520,, "LEVER, WIDEN/SHORTEN",1,,1,1,,,,,,,,,,,,,  
54,2,,172141-41370,, "BUSH 2015",2,,2,2,,,,,,,,,,,,,  
55,1,,172116-46630,, "KNOB, LOCK LEVER",1,,1,1,,,,,,,,,,,,,  
55-1,1,,194150-01190,, "KNOB, THROTTLE  
LEVER",1,,1,1,,N,,72156166,M/#00501,,72156166,M/#00501,72156166,M/#00501,,,  
56,1,,24761-050000,, "NIPPLE C,GREASE",1,,1,1,,,,,,,,,,,,,  
57,1,,172157-45650,, "ROD A, SPOOL",1,,1,1,,,,,,,,,,,,,  
58,1,,172122-47250,, "BALL 8, LINK",1,,1,1,,,,,,,,,,,,,  
59,1,,1C6281-52310,, "PIN 6,COME-OFF SNAP",1,,,,,,,,,,,,,  
59-1,1,,22417-160160,, "COTTER PIN 1.6X16",1,,1,1,,N,,72157160,M/#02030,,,,,,,,,,,,,  
60,1,,22217-080000,, "SPRING WASHER 8",1,,1,1,,,,,,,,,,,,,  
61,1,,26716-080002,, "NUT M 8",2,,2,2,,,,,,,,,,,,,  
62,1,,933110-54100,, "PIN 4.75X14",1,,1,1,,,,,,,,,,,,,  
63,1,,22137-080000,, "WASHER 8,  
POLISHED",1,1,1,1,,W,,72157145,M/#01012,72157145,M/#01012,,,,,,,,,,,,,  
64,1,,22137-080000,, "WASHER 8,  
POLISHED",1,1,1,1,,W,,72157145,M/#01012,72157145,M/#01012,,,,,,,,,,,,,  
65,1,,22137-080000,, "WASHER 8,  
POLISHED",2,2,2,2,,W,,72157145,M/#01012,72157145,M/#01012,,,,,,,,,,,,,  
66,1,,22217-080000,, "SPRING WASHER  
8",1,1,1,1,,W,,72157145,M/#01012,72157145,M/#01012,,,,,,,,,,,,,

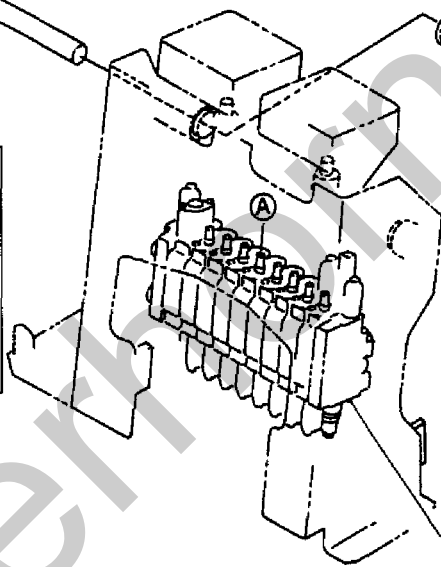
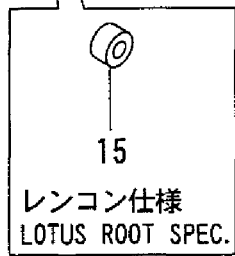
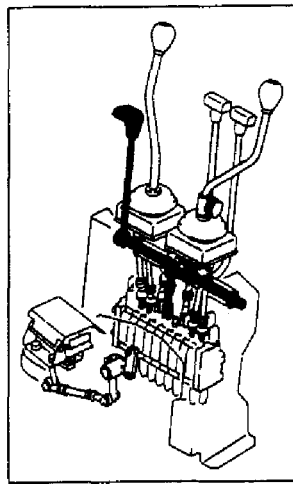
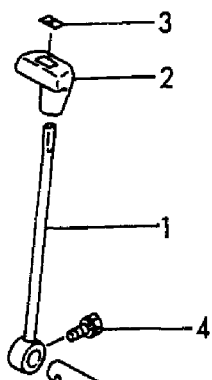




1,1,,172156-45160,, "LEVER, BLADE (GRAY:73)",1,1,1,1,,,,,1,,,,,,,,,,,,,  
 2,1,,1E8060-64750,, "GRIP 13, CHANGE LEVER",1,1,1,1,,,,,1,,,,,,,,,,,,,  
 3,1,,1E8060-97210,, "MARK "Y", LEVER GRIP",1,1,1,1,,,,,1,,,,,,,,,,,,,  
 4,1,,26013-080252,, "BOLT M 8X 25",1,1,1,1,,,,,1,,,,,,,,,,,,,  
 5,1,,172157-45200,, "SHAFT, LINK",1,1,1,1,,,,,1,,,,,,,,,,,,,  
 6,1,,172157-45730,, "LINK, BLADE",1,1,1,1,,,,,1,,,,,,,,,,,,,  
 7,1,,26013-080252,, "BOLT M 8X 25",1,1,1,1,,,,,1,,,,,,,,,,,,,  
 8,1,,172157-45630,, "BALL 6, LINK",1,1,1,1,,,,,1,,,,,,,,,,,,,  
 9,1,,172157-45660,, "ROD B, SPOOL",1,1,1,1,,,,,1,,,,,,,,,,,,,  
 10,1,,1C6281-52310,, "PIN 6, COME-OFF SNAP",1,1,,,,,,,,,,,,,  
 10-1,1,,22417-160160,, "COTTER PIN  
 1.6X16",1,1,1,1,, ,N,1,72157160,M/#02030,72157160,M/#02030,,,,,,  
 11,1,,22217-060000,, "SPRING WASHER  
 6",1,1,,,,,Z,,72157145,M/#01012,72157145,M/#01012,,,,,,  
 12,1,,26716-060002,, "NUT 6",2,2,,,,,,,,,,,,,  
 12-1,1,,26051-060002,, "NUT M  
 6",2,2,2,2,, ,N,1,72157145,M/#01012,72157145,M/#01012,,,,,,  
 13,1,,933110-54100,, "PIN 4.75X14",1,1,1,1,,,,,1,,,,,,,,,,,,,  
 14,1,,22137-060000,, "WASHER 6,  
 POLISHED",1,1,1,1,, ,W,1,72157145,M/#01012,72157145,M/#01012,,,,,,  
 15,1,,172156-45180,, "BOSS, BLADE (GRAY:73)",1,,,,,,2,,,,,,,,,,,,

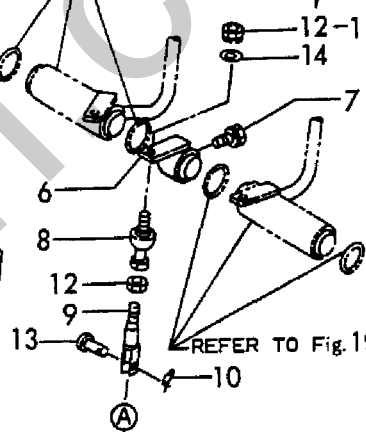
Silverhorn.CO.UK





旧形  
PREVIOUS  
● 12  
● 11

REFER TO Fig.19



REFER TO Fig.19

コントロールバルブ  
CONTROL VALVE

Silver

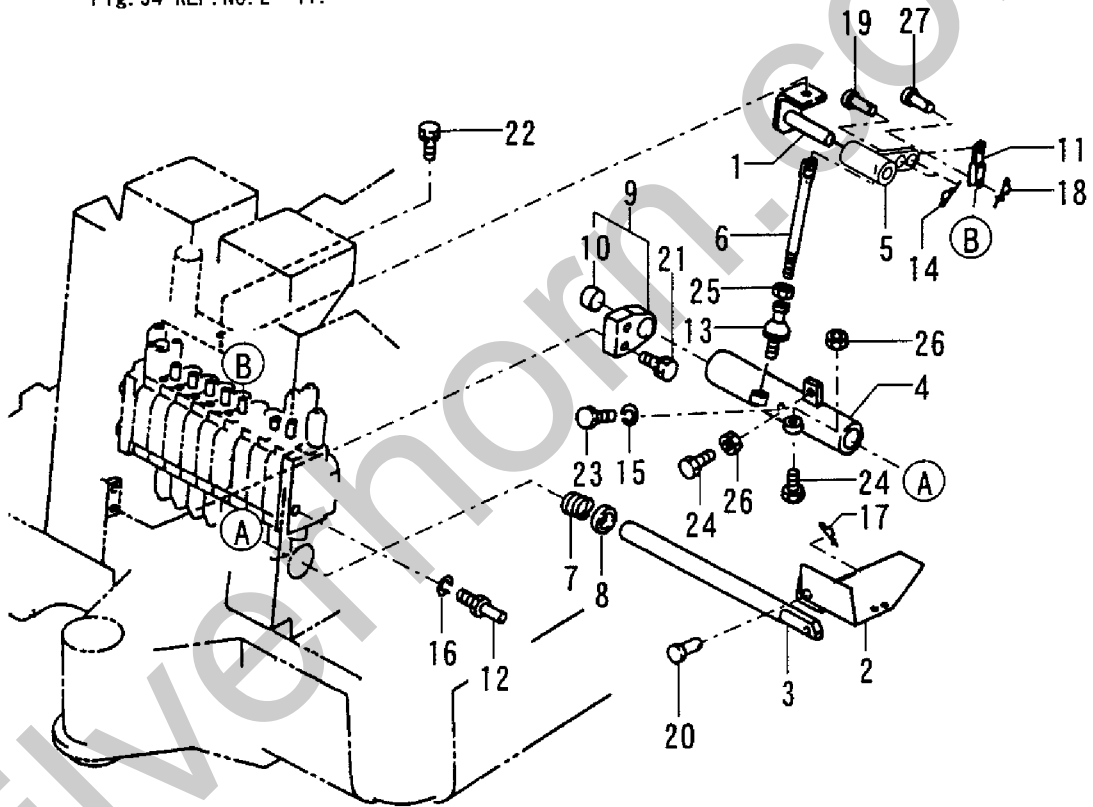
1,2,,172157-45790,,SHAFT,1,1,1,1,,,,,,,,,,,,,  
2,2,,172157-46100,, "PEDAL, P.T.O",1,1,1,1,,,,,,,,,,,,,  
3,2,,172157-46130,, "SHAFT, PEDAL",1,1,1,1,,,,,,,,,,,,,  
4,2,,172157-46140,, "LINK, P.T.O",1,1,1,1,,,,,,,,,,,,,  
5,2,,172157-46220,,LINK,1,1,1,1,,,,,,,,,,,,,  
6,2,,172157-46250,,ROD,1,1,1,1,,,,,,,,,,,,,  
7,2,,172157-46270,,SPRING,1,1,1,1,,,,,,,,,,,,,  
8,2,,172157-46280,,COLLAR,1,1,1,1,,,,,,,,,,,,,  
9,2,,172157-46290,, "SUPPORT, SHAFT",1,1,1,1,,,,,,,,,,,,,  
10,3,,172141-41370,, "BUSH 2015",1,1,1,1,,,,,,,,,,,,,  
11,2,,172157-46320,, "LINK, SPOOL",1,1,1,1,,,,,,,,,,,,,  
12,2,,172157-46330,,PIN,1,1,1,1,,,,,,,,,,,,,  
13,2,,172122-47250,, "BALL 8, LINK",1,1,1,1,,,,,,,,,,,,,  
14,2,,1C6281-52310,, "PIN 6,COME-OFF SNAP",2,2,2,2,,,,,,,,,,,,,  
15,2,,22217-080000,, "SPRING WASHER 8",1,1,1,1,,,,,,,,,,,,,  
16,2,,22217-080000,, "SPRING WASHER 8",1,1,1,1,,,,,,,,,,,,,  
17,2,,22360-100000,, "SNAP PIN 10",1,1,1,1,,,,,,,,,,,,,  
18,2,,1C6281-52310,, "PIN 6,COME-OFF  
SNAP",1,1,,,,,W,\*M/#00501,\*M/#00501,,,,,,,,,,,,,  
18-1,2,,22417-160160,, "COTTER PIN  
1.6X16",1,1,1,1,,N,,72157160,M/#02030,72157160,M/#02030,,,,,,,,,,,,,  
19,2,,22486-060200,, "PIN H 6X20",2,2,2,2,,,,,,,,,,,,,  
20,2,,22487-100300,, "PIN 10X 30",1,1,1,1,,,,,,,,,,,,,  
21,2,,26013-080302,, "BOLT M 8X 30",2,2,2,2,,,,,,,,,,,,,  
22,2,,26013-100302,, "BOLT M10X 30",1,1,1,1,,,,,,,,,,,,,  
23,2,,26116-080202,, "BOLT M 8X 20 PLATED",1,1,1,1,,,,,,,,,,,,,  
24,2,,26116-100252,, "BOLT M10X 25 PLATED",2,2,2,2,,M,,,,,,,,,,,,,  
24-1,2,,26116-080252,, "BOLT M 8X 25 PLATED",2,2,2,2,,,,,,,,,,,,,  
25,2,,26716-080002,, "NUT M 8",1,1,1,1,,,,,,,,,,,,,  
26,2,,26716-100002,, "NUT 10",2,2,2,2,,M,,,,,,,,,,,,,  
26-1,2,,26716-080002,, "NUT M 8",2,2,2,2,,,,,,,,,,,,,  
27,2,,933110-54100,, "PIN 4.75X14",1,1,1,1,,,,,,,,,,,,,

油圧PTO(フレームエンド) ASSY  
HYD. OIL P. T. O. (FRAME END) ASSY  
(772157-46100)

項目No. 54の見出しNo. 1は  
項目No. 21の見出しNo. 1から27と  
項目No. 54の見出しNo. 2から8を含みます。  
Fig. 54 REF. No. 1  
INC. Fig. 21 REF. No. 1~27  
Fig. 54 REF. No. 2~8.

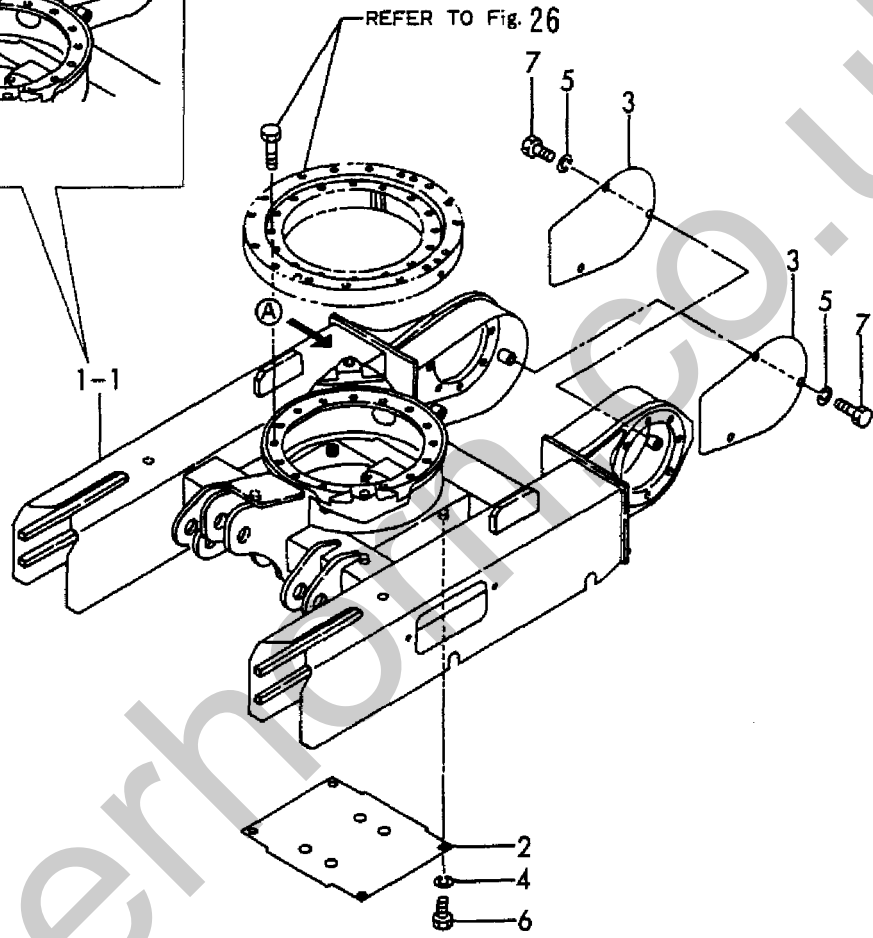
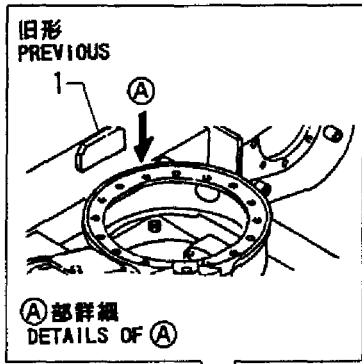
油圧PTO(フレームエンド) ASSY  
HYD. OIL P. T. O. (FRAME END) ASSY  
(772157-46101)

項目No. 54の見出しNo. 1-1は  
項目No. 21の見出しNo. 1から27と  
項目No. 54の見出しNo. 2から11を含みます。  
Fig. 54 REF. No. 1-1  
INC. Fig. 21 REF. No. 1~27  
Fig. 54 REF. No. 2~11.



1,1,,172157-50100,, "FRAME, LOWER",1,1,1,1,,,,,,,,,,,,,  
1-1,1,,172157-50101,, "FRAME,  
LOWER",1,1,1,1,,,N,,72165481,M/#03508,72165481,M/#03508,72165481,M/#03508,721654  
81,M/#03508,,,  
2,1,,172157-50370,, "COVER, BOTTOM",1,1,1,1,,,,,,,,,,,,,  
3,1,,172157-50380,, "COVER, MOTOR",2,2,2,2,,,,,,,,,,,,,  
4,1,,22217-100000,, "SPRING WASHER 10",4,4,4,4,,,,,,,,,,,,,  
5,1,,22217-100000,, "SPRING WASHER 10",6,6,6,6,,,,,,,,,,,,,  
6,1,,26116-100202,, "BOLT M10X 20 PLATED",4,4,4,4,,,,,,,,,,,,,  
7,1,,26116-100202,, "BOLT M10X 20 PLATED",6,6,6,6,,,,,,,,,,,,,

Silverhorn.CO.UK

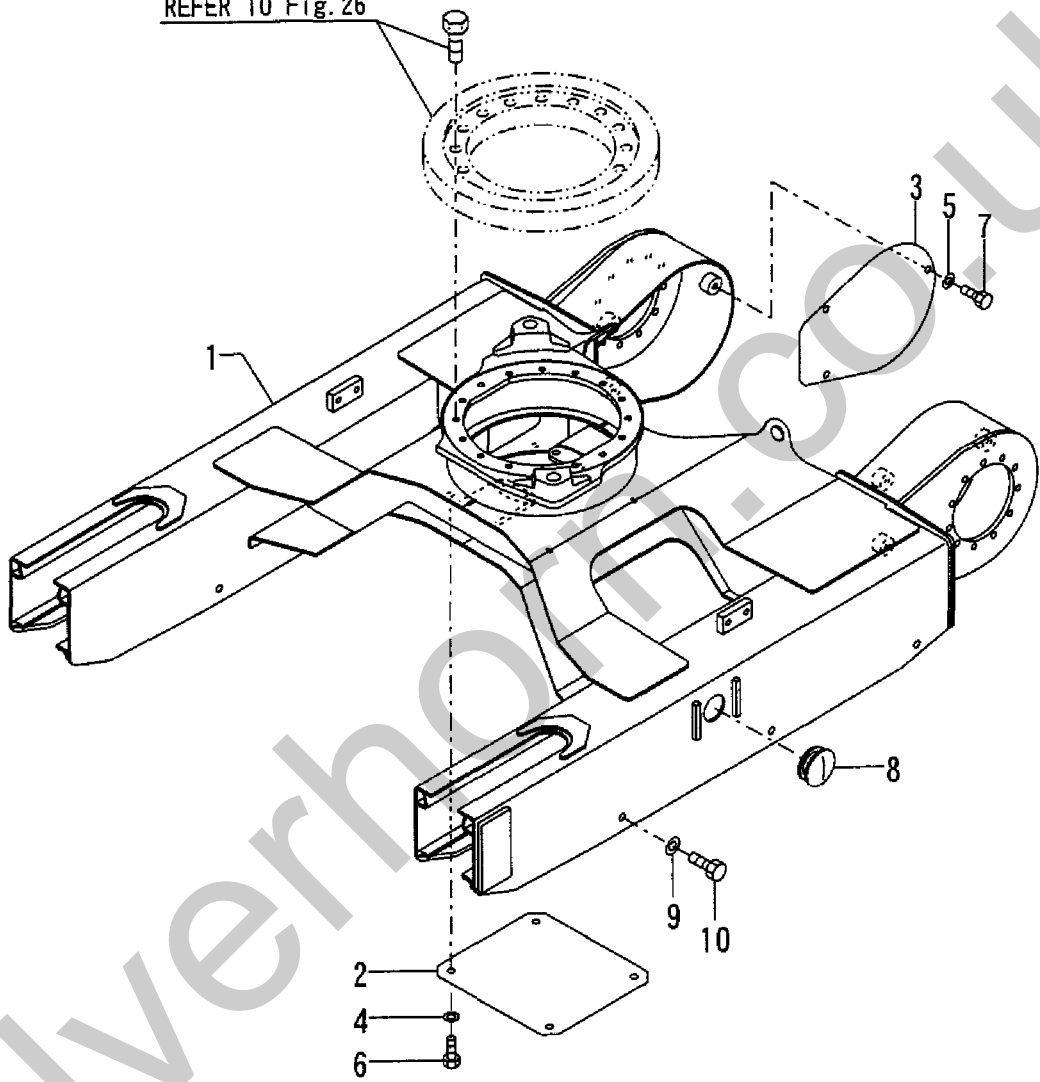


Silverhobby.com.uk

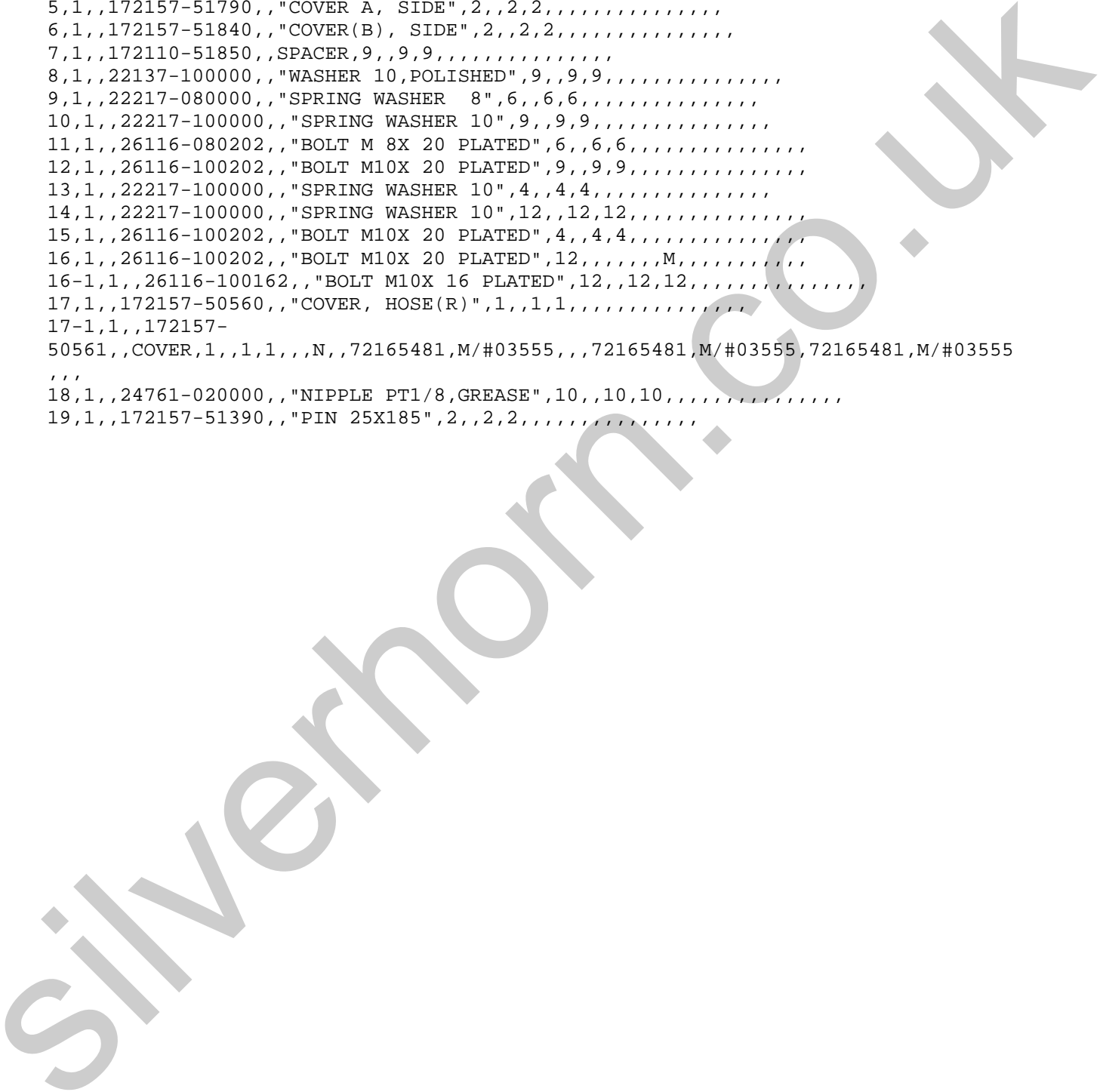
1,1,,172453-50100,, "FRAME, LOWER",1,,,,,,,,,,,,,,,,,,,,,  
2,1,,172453-50350,, "COVER, PLATE",1,,,,,,,,,,,,,,,,,,,,,  
3,1,,172453-50360,, "COVER, TRAVEL",2,,,,,,,,,,,,,,,,,,,,,  
4,1,,22217-100000,, "SPRING WASHER 10",4,,,,,,,,,,,,,,,,,,,,,  
5,1,,22217-100000,, "SPRING WASHER 10",6,,,,,,,,,,,,,,,,,,,,,  
6,1,,26116-100202,, "BOLT M10X 20 PLATED",4,,,,,,,,,,,,,,,,,,,,,  
7,1,,26116-100202,, "BOLT M10X 20 PLATED",6,,,,,,,,,,,,,,,,,,,,,  
8,1,,172141-50890,, GROMMET,2,,,,,,,,,,,,,,,,,,,,,  
9,1,,22217-120000,, "SPRING WASHER",12,,,,,,,,,,,,,,,,,,,,,  
10,1,,26116-120252,, "BOLT M12X 25 PLATED",12,,,,,,,,,,,,,,,,,,,,,

Silverhorn.CO.UK

REFER TO Fig. 26



1,1,,172157-50460,, "COVER, HOSE(L)",1,,1,1,,,,,,,,,,,,,  
2,1,,172157-50700,, FRAME,1,,,,,,,,,,,,,  
2-1,1,,172157-50701,, "CENTER ASSY",1,,1,1,,,S,1,72157127,M/#00503,,,,,,,,,,,,,  
2-2,1,,172157-50702,, "CENTER  
ASSY",1,,1,1,,,N,,72165481,M/#03555,,,72165481,M/#03555,72165481,M/#03555,,,  
3,1,,172157-50990,, "COVER, UNDER",1,,1,1,,,,,,,,,,,,,  
4,1,,172157-51340,, "PIN 25X 85",8,,8,8,,,,,,,,,,,,,  
5,1,,172157-51790,, "COVER A, SIDE",2,,2,2,,,,,,,,,,,,,  
6,1,,172157-51840,, "COVER(B), SIDE",2,,2,2,,,,,,,,,,,,,  
7,1,,172110-51850,, SPACER,9,,9,9,,,,,,,,,,,,,  
8,1,,22137-100000,, "WASHER 10,POLISHED",9,,9,9,,,,,,,,,,,,,  
9,1,,22217-080000,, "SPRING WASHER 8",6,,6,6,,,,,,,,,,,,,  
10,1,,22217-100000,, "SPRING WASHER 10",9,,9,9,,,,,,,,,,,,,  
11,1,,26116-080202,, "BOLT M 8X 20 PLATED",6,,6,6,,,,,,,,,,,,,  
12,1,,26116-100202,, "BOLT M10X 20 PLATED",9,,9,9,,,,,,,,,,,,,  
13,1,,22217-100000,, "SPRING WASHER 10",4,,4,4,,,,,,,,,,,,,  
14,1,,22217-100000,, "SPRING WASHER 10",12,,12,12,,,,,,,,,,,,,  
15,1,,26116-100202,, "BOLT M10X 20 PLATED",4,,4,4,,,,,,,,,,,,,  
16,1,,26116-100202,, "BOLT M10X 20 PLATED",12,,,,,M,,,,,,,,,,,,,  
16-1,1,,26116-100162,, "BOLT M10X 16 PLATED",12,,12,12,,,,,,,,,,,,,  
17,1,,172157-50560,, "COVER, HOSE(R)",1,,1,1,,,,,,,,,,,,,  
17-1,1,,172157-  
50561,,COVER,1,,1,1,,,N,,72165481,M/#03555,,,72165481,M/#03555,72165481,M/#03555  
''''  
18,1,,24761-020000,, "NIPPLE PT1/8,GREASE",10,,10,10,,,,,,,,,,,,,  
19,1,,172157-51390,, "PIN 25X185",2,,2,2,,,,,,,,,,,,,





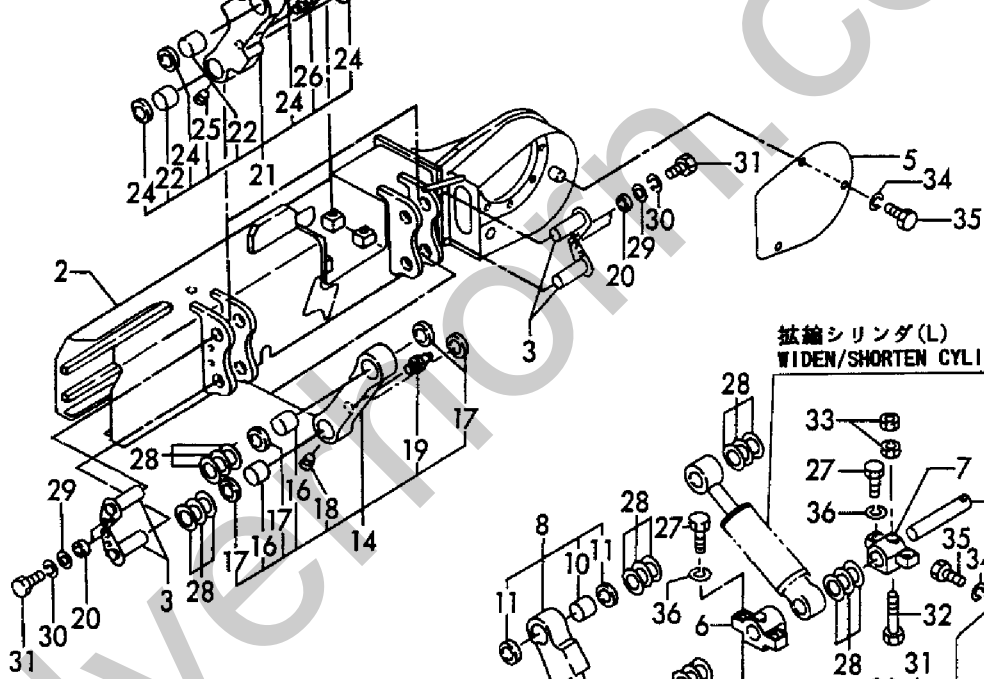
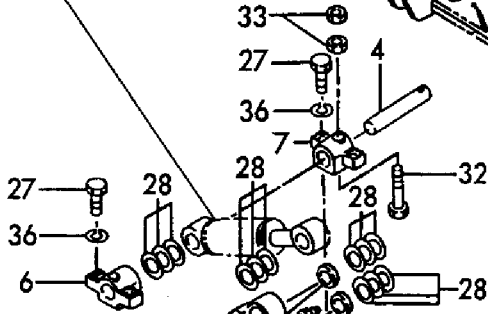


1,1,,172157-50400,, "FRAME, CRAWLER(L)",1,,1,1,,,,,,,,,,,,,  
 2,1,,172157-50410,, "FRAME, CRAWLER(R)",1,,1,1,,,,,,,,,,,,,  
 3,1,,172157-51370,, "PIN 25X 61",8,,8,8,,,,,,,,,,,,,  
 4,1,,172157-51420,, "PIN 25X131",2,,2,2,,,,,,,,,,,,,  
 5,1,,172157-51720,, COVER,2,,2,2,,,,,,,,,,,,,  
 6,1,,172157-51730,, "SUPPORT(A), CYLINDER",2,,2,2,,,,,,,,,,,,,  
 7,1,,172157-51740,, "SUPPORT(B), CYLINDER",2,,2,2,,,,,,,,,,,,,  
 8,1,,172157-51750,, "LINK A ASY, VARIABLE",2,,2,2,,,,,,,,,,,,,  
 10,2,,172157-51830,, "BUSH 25X35X30",4,,4,4,,,,,,,,,,,,,  
 11,2,,172519-91190,, "SEAL 25X35X4, DUST",8,,8,8,,,,,,,,,,,,,  
 12,2,,23871-010000,, "PLUG PT1/8,SCREW",2,,2,2,,,,,,,,,,,,,  
 13,2,,24761-020000,, "NIPPLE PT1/8,GREASE",2,,2,2,,,,,,,,,,,,,  
 14,1,,172157-51770,, "LINK B ASY, VARIABLE",4,,4,4,,,,,,,,,,,,,  
 16,2,,172157-51830,, "BUSH 25X35X30",8,,8,8,,,,,,,,,,,,,  
 17,2,,172519-91190,, "SEAL 25X35X4, DUST",16,,16,16,,,,,,,,,,,,,  
 18,2,,23871-010000,, "PLUG PT1/8,SCREW",4,,4,4,,,,,,,,,,,,,  
 19,2,,24761-020000,, "NIPPLE PT1/8,GREASE",4,,4,4,,,,,,,,,,,,,  
 20,1,,172110-51850,, SPACER,8,,8,8,,,,,,,,,,,,,  
 21,1,,172157-51850,, "LINK ASSY, VARIABLE",2,,2,2,,,,,,,,,,,,,  
 22,2,,172157-51830,, "BUSH 25X35X30",4,,4,4,,,,,,,,,,,,,  
 24,2,,172519-91190,, "SEAL 25X35X4, DUST",8,,8,8,,,,,,,,,,,,,  
 25,2,,23871-010000,, "PLUG PT1/8,SCREW",2,,2,2,,,,,,,,,,,,,  
 26,2,,24761-020000,, "NIPPLE PT1/8,GREASE",2,,2,2,,,,,,,,,,,,,  
 27,1,,172142-66660,, BOLT,8,,8,8,,,,,,,,,,,,,  
 28,1,,172156-81400,, "SHIM 25-45",18,,18,18,,,,,,,,,,,,,  
 29,1,,22137-100000,, "WASHER 10,POLISHED",8,,8,8,,,,,,,,,,,,,  
 30,1,,22217-100000,, "SPRING WASHER 10",8,,8,8,,,,,,,,,,,,,  
 31,1,,26116-100202,, "BOLT M10X 20 PLATED",8,,8,8,,,,,,,,,,,,,  
 32,1,,26116-100652,, "BOLT M10X 65 PLATED",2,,2,2,,,,,,,,,,,,,  
 33,1,,26756-100002,, "LOCK NUT M10 PLATED",4,,4,4,,,,,,,,,,,,,  
 34,1,,22217-100000,, "SPRING WASHER 10",6,,6,6,,,,,,,,,,,,,  
 35,1,,26116-100202,, "BOLT M10X 20 PLATED",6,,6,6,,,,,,,,,,,,,  
 36,1,,22217-120000,, "SPRING  
 WASHER",8,,8,8,, ,W,,72157089,M/#00501,, ,72157089,M/#00501,72157089,M/#00501,, ,

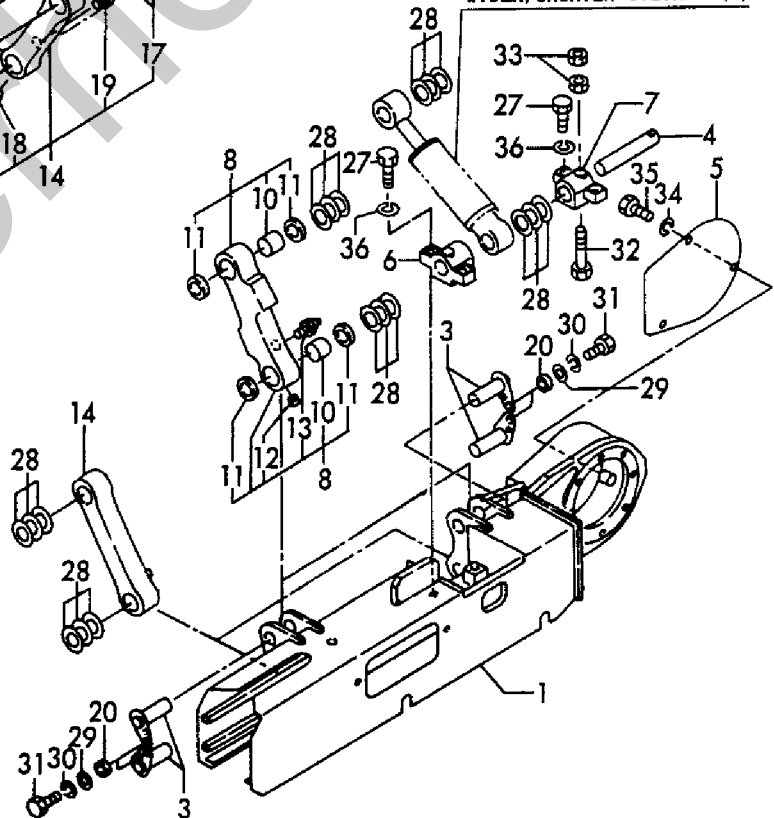


REFER TO Fig. 24

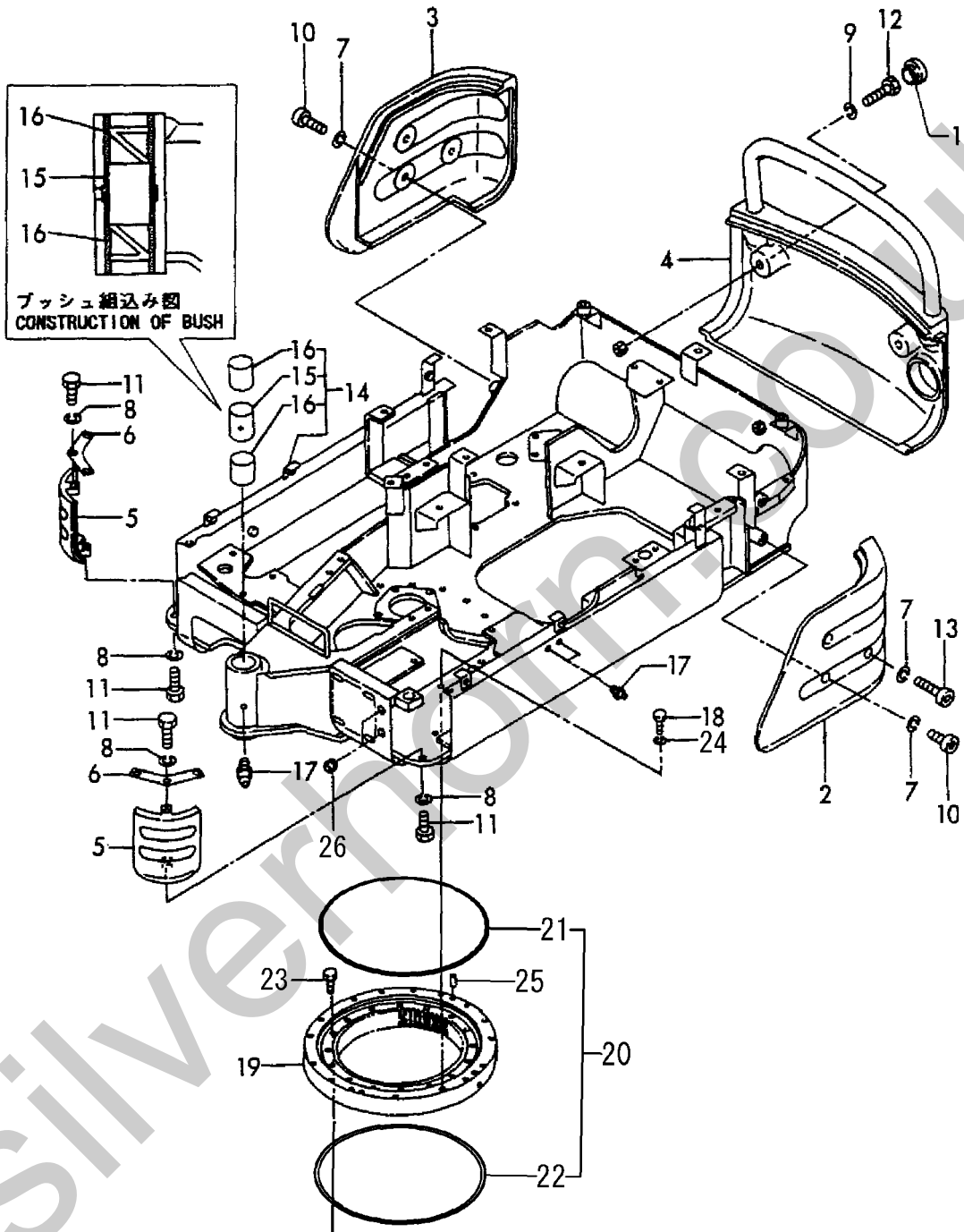
拡縮シリンダ(R)  
WIDEN/SHORTEN CYLINDER(R)



拡縮シリンダ(L)  
WIDEN/SHORTEN CYLINDER(L)

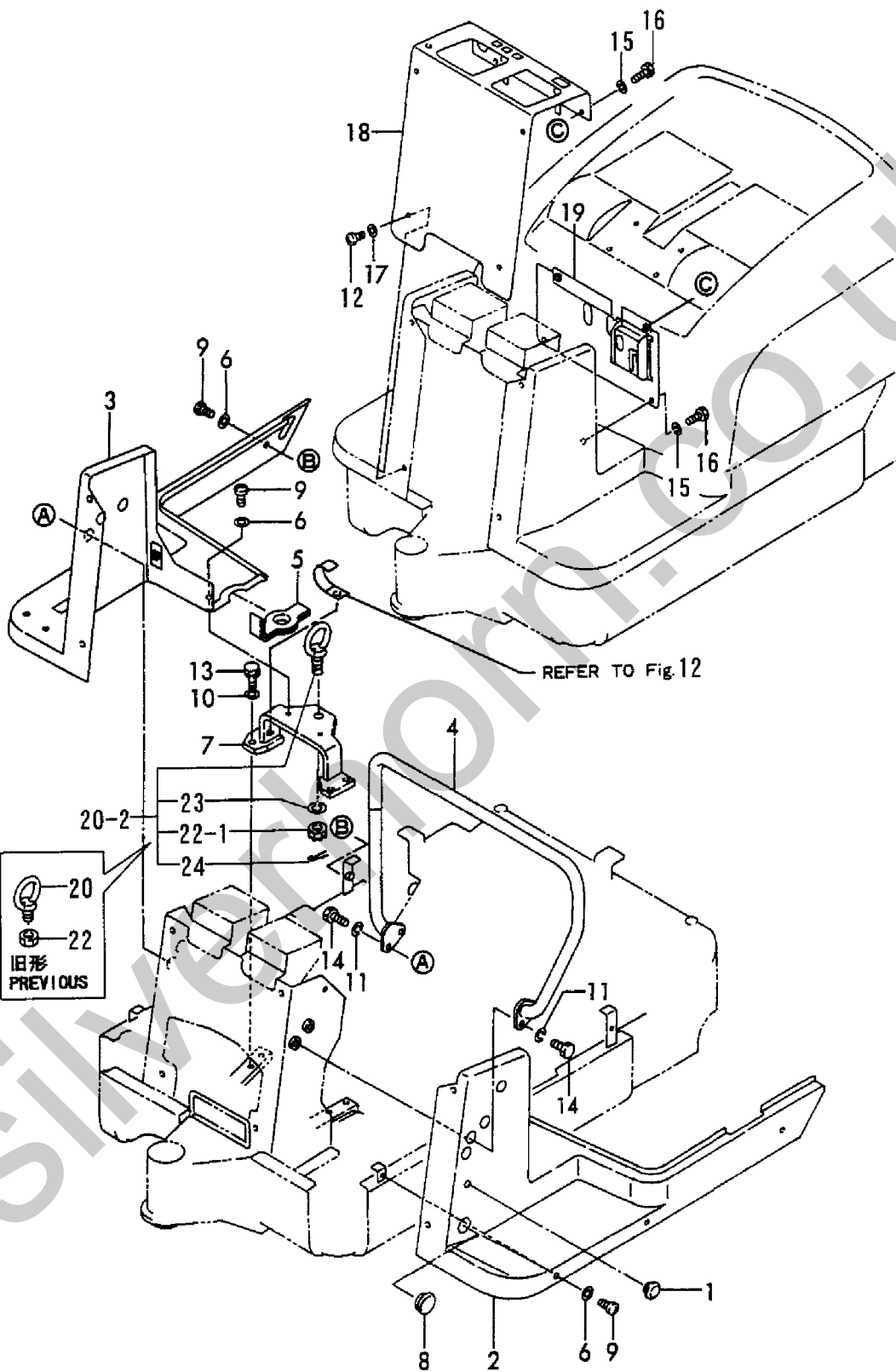


1,1,,172141-53350,, "GROMMET 26",2,2,2,2,,,,,,,,,,,,,  
2,1,,172157-53391,, "PROTECTOR,L(GRAY:73)",1,1,1,1,,,,,,,,,,,,,  
3,1,,172157-53401,, "PROTECTOR,R(GRAY:73)",1,1,1,1,,,,,,,,,,,,,  
4,1,,172157-53450,, "WEIGHT,CENTER (73)",1,1,1,1,,,,,,,,,,,,,  
5,1,,172157-53500,, "PROTECTOR (GRAY:73)",2,2,2,2,,,,,,,,,,,,,  
6,1,,172157-53510,, PLATE,2,2,2,2,,,,,,,,,,,,,  
7,1,,22217-100000,, "SPRING WASHER 10",6,6,6,6,,,,,,,,,,,,,  
8,1,,22217-100000,, "SPRING WASHER 10",8,8,8,8,,,,,,,,,,,,,  
9,1,,22217-140000,, "SPRING WASHER 14",2,2,2,2,,,,,,,,,,,,,  
10,1,,26450-100202,, "BOLT M10X 20",5,5,5,5,,,,,,,,,,,,,  
11,1,,26116-100202,, "BOLT M10X 20 PLATED",8,8,8,8,,,,,,,,,,,,,  
12,1,,26116-140502,, "BOLT M14X 50",2,2,2,2,,,,,,,,,,,,,  
13,1,,26450-100402,, "BOLT M10X 40",1,1,1,1,,,,,,,,,,,,,  
14,1,,172157-54100,, "FRAME,TURNING (73)",1,1,1,1,,,,,,,,,,,,,  
15,2,,172157-54110,, SPACER,1,1,1,1,,,,,,,,,,,,,  
16,2,,172157-54800,, "BUSH 35X45",2,2,2,2,,,,,,,,,,,,,  
17,1,,24761-020000,, "NIPPLE PT1/8,GREASE",3,3,3,3,,,,,,,,,,,,,  
18,1,,1E6480-16920,, "BOLT 10X35",16,16,16,16,,,,,,,,,,,,,  
19,1,,172157-57600,, "BEARING,TURNING (88)",1,1,1,1,,,,,,,,,,,,,  
20,2,,172157-57610,, "SEAL  
KIT",1,1,1,1,, ,W,,72446088,M/#00501,72446088,M/#00501,72446088,M/#00501,72446088  
,M/#00501,,,,,I  
21,3,,172157-  
57620,, "SEAL,UPPER",1,1,1,1,, ,W,,72446088,M/#00501,72446088,M/#00501,72446088,M/  
#00501,72446088,M/#00501,,,,,I  
22,3,,172157-  
57630,, "SEAL,LOWER",1,1,1,1,, ,W,,72446088,M/#00501,72446088,M/#00501,72446088,M/  
#00501,72446088,M/#00501,,,,,I  
23,1,,172155-57610,, "BOLT M10X45",16,16,16,16,,,,,,,,,,,,,  
24,1,,22217-100000,, "SPRING WASHER 10",16,16,16,16,,,,,,,,,,,,,  
25,1,,22312-100160,, "PARALLEL PIN 10X16",2,2,2,2,,,,,,,,,,,,,  
26,1,,172157-54850,, "GROMMET 18",2,2,2,2,,,,,,,,,,,,,



トラックフレーム  
 TRACK FRAME  
 REFER TO Fig. 22~24

1,1,,1A1380-48150,, "PLUG 15,RUBBER",1,1,1,1,,,,,,,,,,,,,  
2,1,,172157-61100,,COVER(L),1,1,,,,,,,,,,,,,  
2-1,1,,172157-  
61101,,COVER(L),1,1,1,1,,,N,,72157158,M/#01903,72157158,M/#01903,,,,,,,,,  
3,1,,172157-61150,,COVER(R),1,1,,,,,,,,,,,,,  
3-1,1,,172157-  
61151,,COVER(R),1,1,1,1,,,N,,72157158,M/#01903,72157158,M/#01903,,,,,,,,,  
4,1,,172157-61200,, "BAR,ASSIST (GRAY:73)",1,1,1,1,,,,,,,,,,,,,  
5,1,,172157-61250,, "SEAL, COVER",1,1,,,,,,,,,,,,,  
5-1,1,,172157-  
61251,,SEAL,1,1,1,1,,,N,,72157077,M/#00501,72157077,M/#00501,,,,,,,,,  
6,1,,172156-61270,,WASHER,8,8,,,,,,,,,,,,,  
6-1,1,,1A1380-  
62160,,WASHER,8,8,8,8,,,R,,72157139,M/#00502,72157139,M/#00502,,,,,,,,,  
7,1,,172157-61280,, "BRACKET (GRAY:73)",1,1,1,1,,,,,,,,,,,,,  
8,1,,172151-62240,,GROMMET,1,1,1,1,,,,,,,,,,,,,  
9,1,,172137-69850,,SCREW,8,8,8,8,,,,,,,,,,,,,  
9-1,1,,172519-63240,, "BOLT 8X  
16",8,8,8,8,,,S,,72156152,M/#03953,72156152,M/#03953,72156152,M/#03953,72156152,  
M/#03953,,,,,  
10,1,,22137-120000,, "WASHER 12,POLISHED",4,4,4,4,,,,,,,,,,,,,  
11,1,,22217-100000,, "SPRING WASHER 10",4,4,4,4,,,,,,,,,,,,,  
12,1,,172137-69850,,SCREW,4,4,4,4,,,,,,,,,,,,,  
12-1,1,,172519-63240,, "BOLT 8X  
16",4,4,4,4,,,S,,72156152,M/#03953,72156152,M/#03953,72156152,M/#03953,72156152,  
M/#03953,,,,,  
13,1,,26013-120302,, "BOLT W/WASHER M12X30",4,4,4,4,,,,,,,,,,,,,  
14,1,,26116-100202,, "BOLT M10X 20 PLATED",4,4,4,4,,,,,,,,,,,,,  
15,1,,22217-080000,, "SPRING WASHER 8",4,4,4,4,,,,,,,,,,,,,  
16,1,,26116-080162,, "BOLT 8X16",4,4,4,4,,,,,,,,,,,,,  
17,1,,172156-61270,,WASHER,4,4,,,,,Z,\*M/#00501,\*M/#00501,,,,,,,,,  
18,1,,172157-63130,, "PANEL A (GRAY:73)",1,1,1,1,,,,,,,,,,,,,  
19,1,,172157-63170,, "PANEL B (GRAY:73)",1,1,1,1,,,,,,,,,,,,,  
20,1,,26617-160002,, "EYE BOLT M16",1,1,,,,,,,,,,,,,  
20-1,1,,172157-61300,, "BOLT  
16X35",1,1,1,1,,,N,,72156144,M/#02262,72156144,M/#02262,,,,,,,,,  
20-2,1,,172157-61350,, "EYE BOLT  
KIT",1,1,1,1,,,N,,72157156,M/#04477,72157156,M/#04477,72157156,M/#04477,72157156  
M/#04477,,,,,  
22,2,,26716-160002,, "NUT M16",1,1,,,,,,,,,,,,,  
22-1,2,,172157-61310,, "CASTLE NUT  
M16",1,1,1,1,,,S,,72156145,M/#02341,72156145,M/#02341,,,,,,,,,  
23,2,,22217-160000,, "SPRING WASHER 16",1,1,1,1,,,,,,,,,,,,,  
24,2,,22417-400320,, "COTTER PIN  
4.0X32",1,1,1,1,,,W,,72156145,M/#02341,72156145,M/#02341,,,,,,,,,  
SINTECH.CO.UK



1,1,,172157-58801,, "LOCK PIN, TURNING",1,1,1,1,,,,,,,,,,,,,  
2,1,,172157-58830,, "KNOB 6.5X18X35",1,1,1,1,,,,,,,,,,,,,  
3,1,,172116-46630,, "KNOB, LOCK LEVER",1,1,1,1,,,,,,,,,,,,,  
4,1,,172157-65200,, BAR,1,1,1,1,,,,,,,,,,,,,  
5,1,,172156-65340,, "PLATE, LOCK",1,1,1,1,,,,,,,,,,,,,  
6,1,,172156-65350,, LEVER,1,1,1,1,,,,,,,,,,,,,  
7,1,,172157-65380,, "STOPPER, BONNET",1,1,1,1,,,,,,,,,,,,,  
8,1,,172156-65690,, "TORSION SPRING, STOPR",1,1,1,1,,,,,,,,,,,,,  
9A,1,,172157-65810,, BONNET,1,,,,,,,,,,,,,  
9A-1,1,,172157-65811,, BONNET,1,1,1,,N,,72156148,M/#03540,,,,,,,,,,,,,  
9B,1,,172157-65800,, BONNET,,1,,,,,,,,,,,,,  
9B-1,1,,172157-65801,, BONNET,,1,,,,,N,,,,72156148,M/#03540,,,,,,,,,,,,,  
10,2,,172157-65540,, "RUBBER, BONNET",1,1,1,1,,,,,,,,,,,,,  
11,2,,172157-65551,, "RUBBER, REAR GRILL",1,1,1,1,,,,,,,,,,,,,  
12,2,,172157-65651,, "PAD, SIDE(R)",1,1,,,,,,,,,,,,,  
12-1,2,,172157-65652,, "PAD,  
SIDE(R)",1,1,1,1,,R,,72157165,M/#03172,72157165,M/#03172,,,,,,,,,,,,,  
13,2,,172157-65661,, "PAD, SIDE(L)",1,1,,,,,,,,,,,,,  
13-1,2,,172157-65662,, "PAD,  
SIDE(L)",1,1,1,1,,R,,72157165,M/#03172,72157165,M/#03172,,,,,,,,,,,,,  
14,2,,172157-65670,, "PAD, UPPER",1,1,,,,,,,,,,,,,  
14-1,2,,172157-65671,, "PAD,  
UPPER",1,1,1,1,,R,,72157165,M/#03172,72157165,M/#03172,,,,,,,,,,,,,  
14-2,2,,172157-  
65672,, PAD(UPPER,1,1,1,1,,N,,72156148,M/#03540,72156148,M/#03540,72156148,M/#03  
540,72156148,M/#03540,,  
15,2,,172157-65680,, "PAD, REAR",1,1,,,,,,,,,,,,,  
15-1,2,,172157-65681,, "PAD,  
REAR",1,1,1,1,,R,,72157165,M/#03172,72157165,M/#03172,,,,,,,,,,,,,  
16,2,,172157-65720,, "PAD, HINGE",1,1,,,,,,,,,,,,,  
16-1,2,,172157-65721,, "PAD,  
HINGE",1,1,1,1,,R,,72157165,M/#03172,72157165,M/#03172,,,,,,,,,,,,,  
17A,2,,172157-65420,, BONNET,1,1,1,,W,,\*,M/#00501,,,,,,,,,,,,,  
17B,2,,172157-65410,, BONNET,1,,,,,W,,,,\*,M/#00501,,,,,,,,,,,,,  
18A,3,,172157-65440,, BONNET(B),1,1,1,,W,,\*,M/#00501,,,,,,,,,,,,,  
18B,3,,172157-65430,, BONNET(A),,1,,,,,W,,,,\*,M/#00501,,,,,,,,,,,,,  
19A,3,,172157-65460,, "BONNET(B), REAR",1,1,1,,W,,\*,M/#00501,,,,,,,,,,,,,  
19B,3,,172157-65450,, "BONNET(A), REAR",,1,,,,,W,,,,\*,M/#00501,,,,,,,,,,,,,  
20,3,,22217-100000,, "SPRING WASHER 10",4,4,4,4,,W,,\*,M/#00501,\*M/#00501,,,,,,,,,,,,,  
21,3,,26716-100002,, "NUT 10",4,4,4,4,,W,,\*,M/#00501,\*M/#00501,,,,,,,,,,,,,  
22,1,,22217-080000,, "SPRING WASHER 8",1,1,1,1,,,,,,,,,,,,,  
23,1,,22372-080000,, "SNAP PIN (JASO 8)",2,2,2,2,,,,,,,,,,,,,  
24,1,,26013-100252,, "BOLT W/WASHER M10X25",3,3,3,3,,,,,,,,,,,,,  
25,1,,26013-100402,, "BOLT M10X 40",2,2,2,2,,,,,,,,,,,,,  
26,1,,26116-080162,, "BOLT 8X16",2,2,2,2,,,,,,,,,,,,,  
27,1,,26716-080002,, "NUT M 8",1,1,1,1,,,,,,,,,,,,,  
28,1,,933160-09240,, "GROMMET 9X10.5",1,1,1,1,,,,,,,,,,,,,  
29,1,,172157-65850,, PROTECTOR(L),1,1,1,1,,,,,,,,,,,,,  
30,1,,172157-65860,, PROTECTOR(R),1,1,1,1,,,,,,,,,,,,,  
31,1,,172157-65870,, "WASHER, PROTECTOR",8,8,8,8,,,,,,,,,,,,,  
32,1,,22157-080000,, "WASHER 8",8,8,8,8,,,,,,,,,,,,,  
33,1,,26346-080002,, "U-NUT M 8 PLATED",8,8,8,8,,,,,,,,,,,,,  
34,1,,1A1040-43900,, "SPRING WASHER",4,4,4,4,,,,,,,,,,,,,  
35,1,,172156-64200,, SEAT,1,1,,,,,,,,,,,,,  
35-1,1,,172156-  
64201,, SEAT,1,1,1,1,,R,,72156146,M/#02567,72156146,M/#02567,,,,,,,,,,,,,  
36A,1,,172157-64200,, "BRACKET, SEAT (76)",1,1,1,1,,,,,,,,,,,,,  
36A-1,1,,172157-64200-3,, "BRACKET, SEAT  
(85)",1,1,1,,S,,\*,M/#01831,,\*,M/#01831,\*M/#01831,,  
36A-2,1,,172157-64201,, "BRACKET, SEAT  
(85)",1,1,1,,N,,72156148,M/#03540,,72156148,M/#03540,72156148,M/#03540,,  
36B,1,,172157-64200-1,, "BRACKET, SEAT (70)",,1,,,,,,,,,,,,,

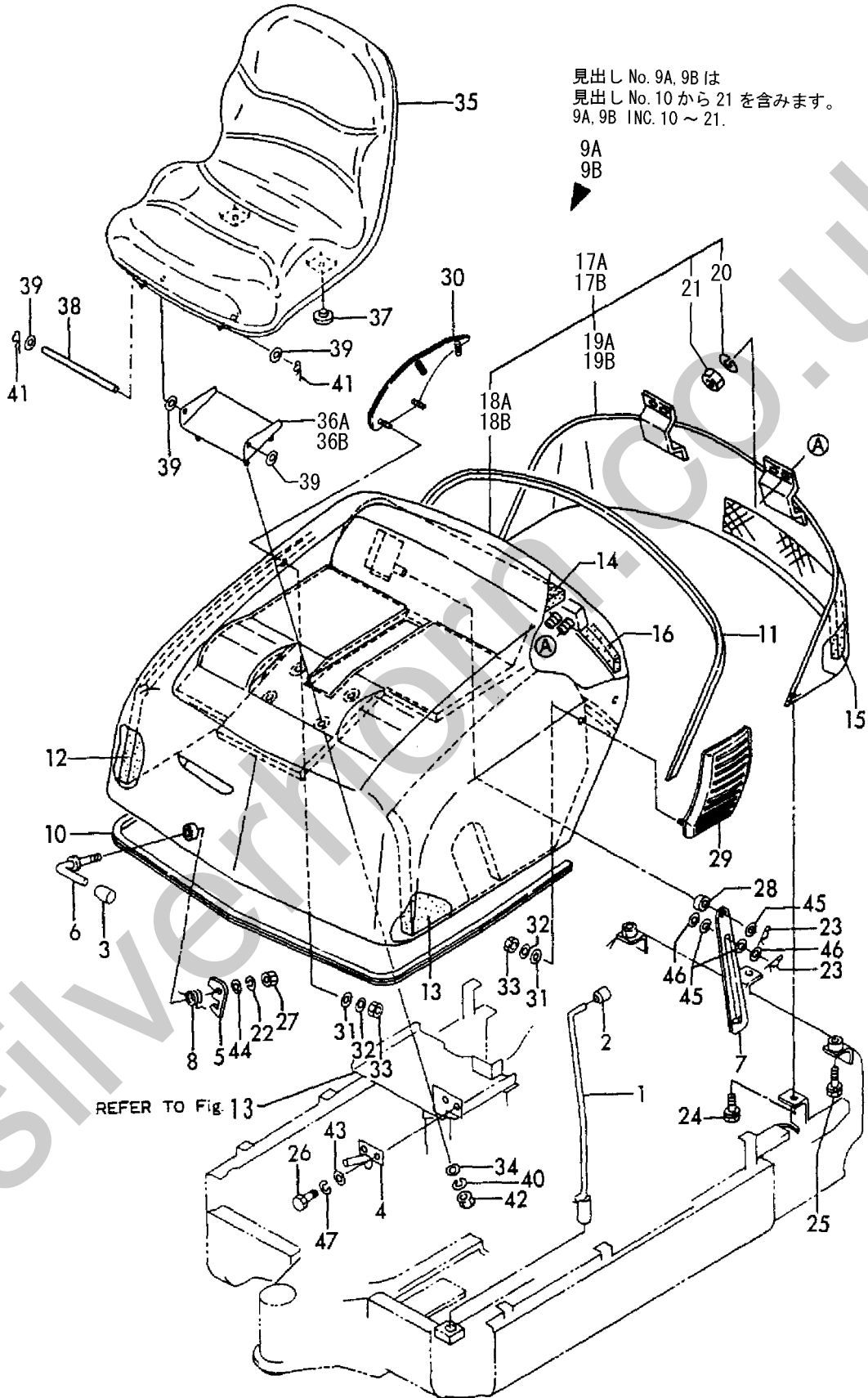


36B-1,1,,172157-64201-1,, "BRACKET8 SEAT  
(70)",,1,,,,,N,,,,,72156148,M/#03540,,,,,  
37,1,,172141-64370,, "CUSHION, SEAT",2,2,2,2,,,,,  
38,1,,172156-64420,,PIN,1,1,1,1,,,,,  
39,1,,22190-080003,, "SEAL WASER 8",4,4,4,4,,,,,  
40,1,,22217-080000,, "SPRING WASHER 8",4,4,4,4,,,,,  
41,1,,22372-080000,, "SNAP PIN (JASO 8)",2,2,2,2,,,,,  
42,1,,26716-080002,, "NUT M 8",4,4,4,4,,,,,  
43,1,,22137-080000,, "WASHER 8, POLISHED",2,2,2,2,,,,,  
44,1,,22137-080000,, "WASHER 8, POLISHED",1,1,1,1,,,,,  
45,1,,22157-080000,, "WASHER 8",3,3,3,3,,,,,  
46,1,,22190-080003,, "SEAL WASER 8",2,2,2,2,,,,,  
47,1,,22217-080000,, "SPRING WASHER 8",2,2,2,2,,,,,

Silverhorn.CO.UK

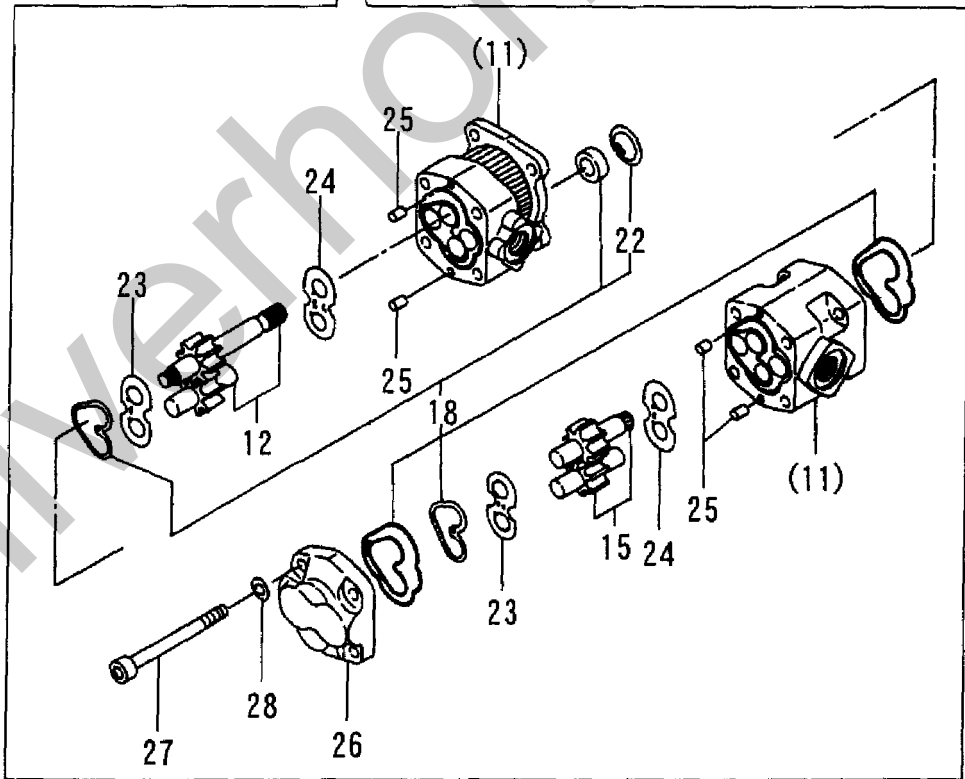
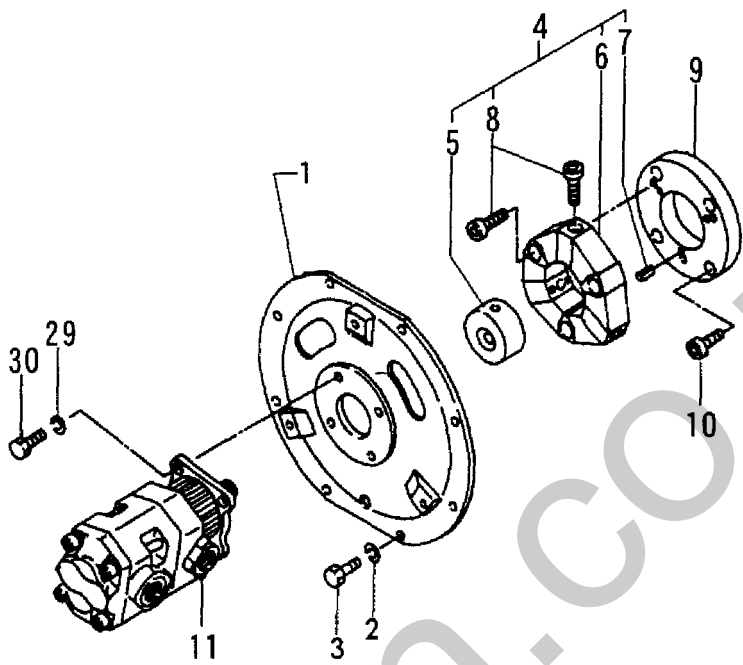
見出し No. 9A, 9B は  
見出し No. 10 から 21 を含みます。  
9A, 9B INC. 10 ~ 21.

9A  
9B



1,1,,172157-71100,, "MOUNT, PUMP",1,1,1,1,,,,,,,,,,,,,  
2,1,,22217-100000,, "SPRING WASHER 10",8,8,8,8,,,,,,,,,,,,,  
3,1,,26116-100202,, "BOLT M10X 20 PLATED",8,8,8,8,,,,,,,,,,,,,  
4,1,,172157-71210,, "BEARING HOLDER  
ASY",1,1,1,1,, ,W,,72157171,M/#03716,72157171,M/#03716,72157171,M/#03716,72157171  
,M/#03716,,,  
5,2,,172157-71200,,JOINT,1,1,1,1,,,,,,,,,,,,,  
5-1,2,,172157-  
71201,,JOINT,1,1,1,1,, ,R,,72157171,M/#03716,72157171,M/#03716,72157171,M/#03716,  
72157171,M/#03716,,,  
6,2,,172137-71220,,COUPLING,1,1,1,1,,,,,,,,,,,,,  
7,2,,22351-040008,, "SPRING PIN 4X 8",3,3,3,3,,,,,,,,,,,,,  
8,2,,26450-100302,, "BOLT M10X 30",6,6,6,6,,,,,,,,,,,,,  
9,1,,172519-71211,,FLANGE,1,1,1,1,,,,,,,,,,,,,  
10,1,,26450-100202,, "BOLT M10X 20",4,4,4,4,,,,,,,,,,,,,  
11,1,,172157-73100,, "PUMP, HYD. OIL",1,1,1,1,,,,,,,,,,,,,  
12,2,,172157-73130,, "GEAR KIT(B1)",1,1,1,1,,,,,,,,,,,,,  
15,2,,172157-73140,, "GEAR KIT(B2)",1,1,1,1,,,,,,,,,,,,,  
18,2,,172157-73150,, "REPAIR KIT",1,1,1,1,,,,,,,,,,,,,  
22,3,,22252-000280,, "CIRCLIP 28",1,1,1,1,,,,,,,,,,,,,  
23,2,,172157-73190,, "PLATE(A), SIDE",2,2,2,2,,,,,,,,,,,,,  
24,2,,172157-73200,, "PLATE(B), SIDE",2,2,2,2,,,,,,,,,,,,,  
25,2,,172157-73230,,PIN,4,4,4,4,,,,,,,,,,,,,  
26,2,,172157-73240,,COVER,1,1,1,1,,,,,,,,,,,,,  
27,2,,172157-73260,, "BOLT, SOKET",4,4,4,4,,,,,,,,,,,,,  
28,2,,22217-100000,, "SPRING WASHER 10",4,4,4,4,,,,,,,,,,,,,  
29,1,,22217-080000,, "SPRING WASHER 8",4,4,4,4,,,,,,,,,,,,,  
30,1,,26116-080202,, "BOLT M 8X 20 PLATED",4,4,4,4,,,,,,,,,,,,,

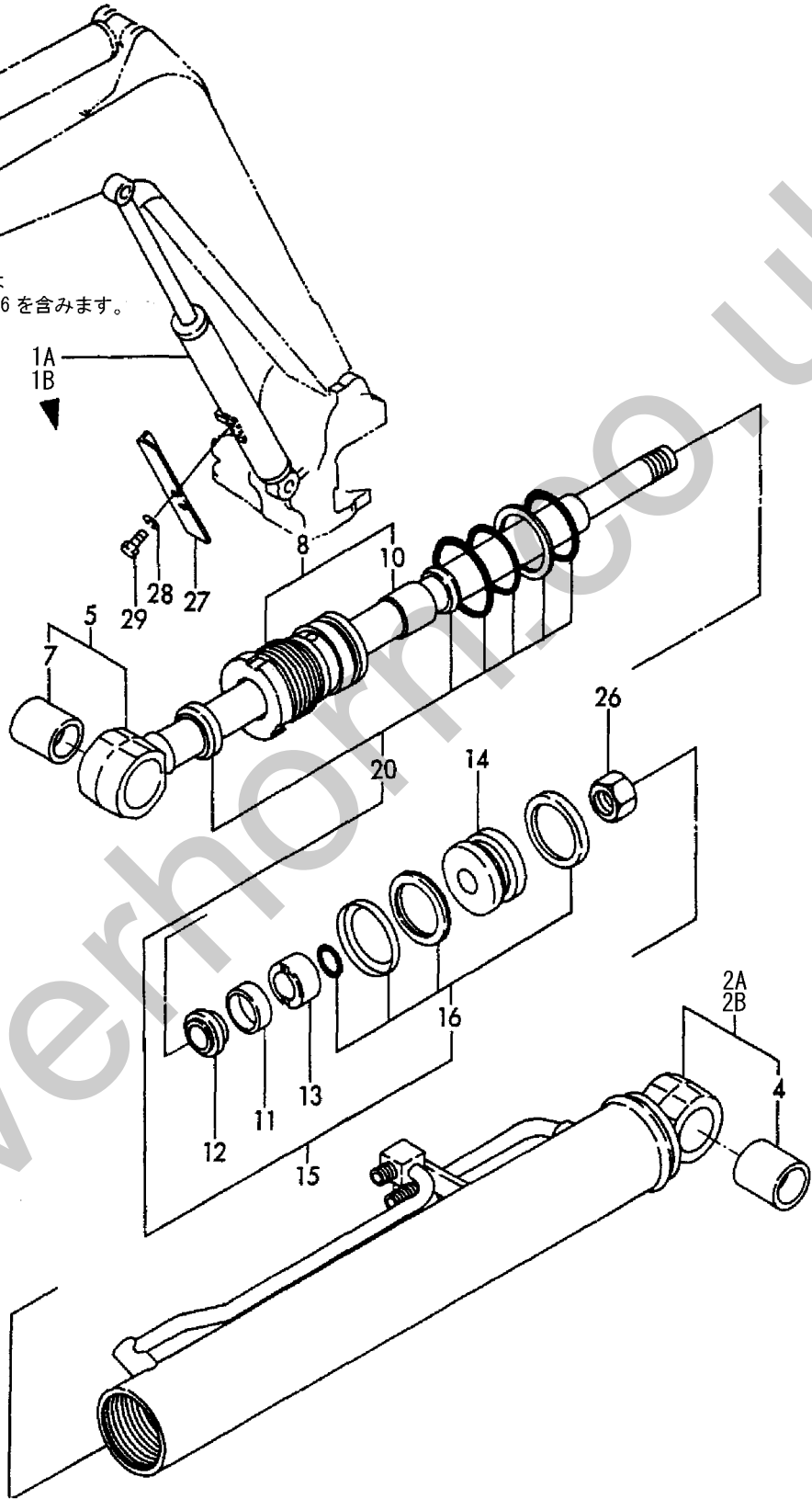




1A,1,,172157-72100,, "CYLINDER ASSY, BOOM",1,,1,1,,,,,,,,,,,,,  
 1A-1,1,,172157-72100-3,, "CYLINDER,  
 BOOM",1,,1,1,,,S,,\*,M/#01831,,,\*,M/#01831,\*M/#01831,,,  
 1B,1,,172157-72100-1,, "CYLINDER ASSY, BOOM",1,,,,,,,,,,,,,  
 2A,2,,772157-72110,, "TUBE W/BUSH, BOOM",1,,1,1,,,,,,,,,,,,,  
 2A-1,2,,772157-72110-3,, "TUBE W/BUSH,  
 BOOM",1,,1,1,,,S,,\*,M/#01831,,,\*,M/#01831,\*M/#01831,,,  
 2B,2,,772157-72110-1,, "TUBE W/BUSH,BOOM",,1,,,,,,,,,,,,,  
 4,3,,172157-81360,, "BUSH 25 35 A, PIN",1,1,1,1,,,,,,,,,,,,,  
 5,2,,772157-72130,, "ROD W/BUSH, BOOM",1,1,1,1,,,,,,,,,,,,,  
 7,3,,172156-72410,, "BUSH, PIN 25 35 A",1,1,1,1,,,,,,,,,,,,,  
 8,2,,172157-72580,, "HEAD 5025 A W/BUSH",1,1,1,1,,,,,,,,,,,,,  
 10,3,,933111-01700,, "BUSH 25 25, ROD",1,1,1,1,,,,,,,,,,,,,  
 10-1,3,,24550-025250,, "BUSH  
 25X25",1,1,1,1,,,R,,A1686116,XXX,A1686116,XXX,A1686116,XXX,A1686116,XXX,,,,,I  
 11,2,,172157-72640,, "RING, CUSHION 33",1,1,1,1,,,,,,,,,,,,,  
 12,2,,172157-72650,, "COLLAR, CUSHION 33 A",1,1,,,,,,,,,,,,,  
 12-1,2,,172157-  
 72651,, COLLER,1,1,,,,,N,,72157144,M/#01012,72157144,M/#01012,,,,,  
 12-2,2,,172157-  
 72652,, COLLER,1,1,1,1,,,N,,72157159,M/#01958,72157159,M/#01958,,,,,  
 13,2,,172157-72660,, "COLLAR, CUSHION 33 B",1,1,1,1,,,,,,,,,,,,,  
 14,2,,172157-72700,, PISTON,1,1,1,1,,,,,,,,,,,,,  
 15,2,,172157-99340,, "KIT, BOOM  
 CYLINDER",1,1,1,1,,,W,,\*,M/#00501,\*M/#00501,,,,,  
 16,3,,172157-72030,, "SEAL SET 50A, PISTON",1,1,1,1,,,,,,,,,,,,,  
 20,3,,172157-72010,, "SEAL SET 50A, HEAD",1,1,1,1,,,,,,,,,,,,,  
 26,2,,172157-72730,, "U-NUT M18",1,1,1,1,,,,,,,,,,,,,  
 27,1,,172157-72820,, PROTECTOR,1,1,1,1,,,,,,,,,,,,,  
 28,1,,22217-100000,, "SPRING WASHER 10",2,2,2,2,,,,,,,,,,,,,  
 29,1,,26116-100202,, "BOLT M10X 20 PLATED",2,2,2,2,,,,,,,,,,,,,

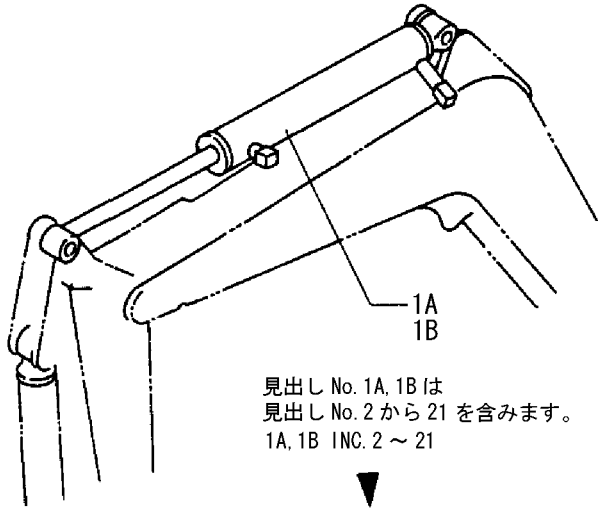


見出し No. 1A, 1B は  
見出し No. 2 から 26 を含みます。  
1A, 1B INC. 2 ~ 26

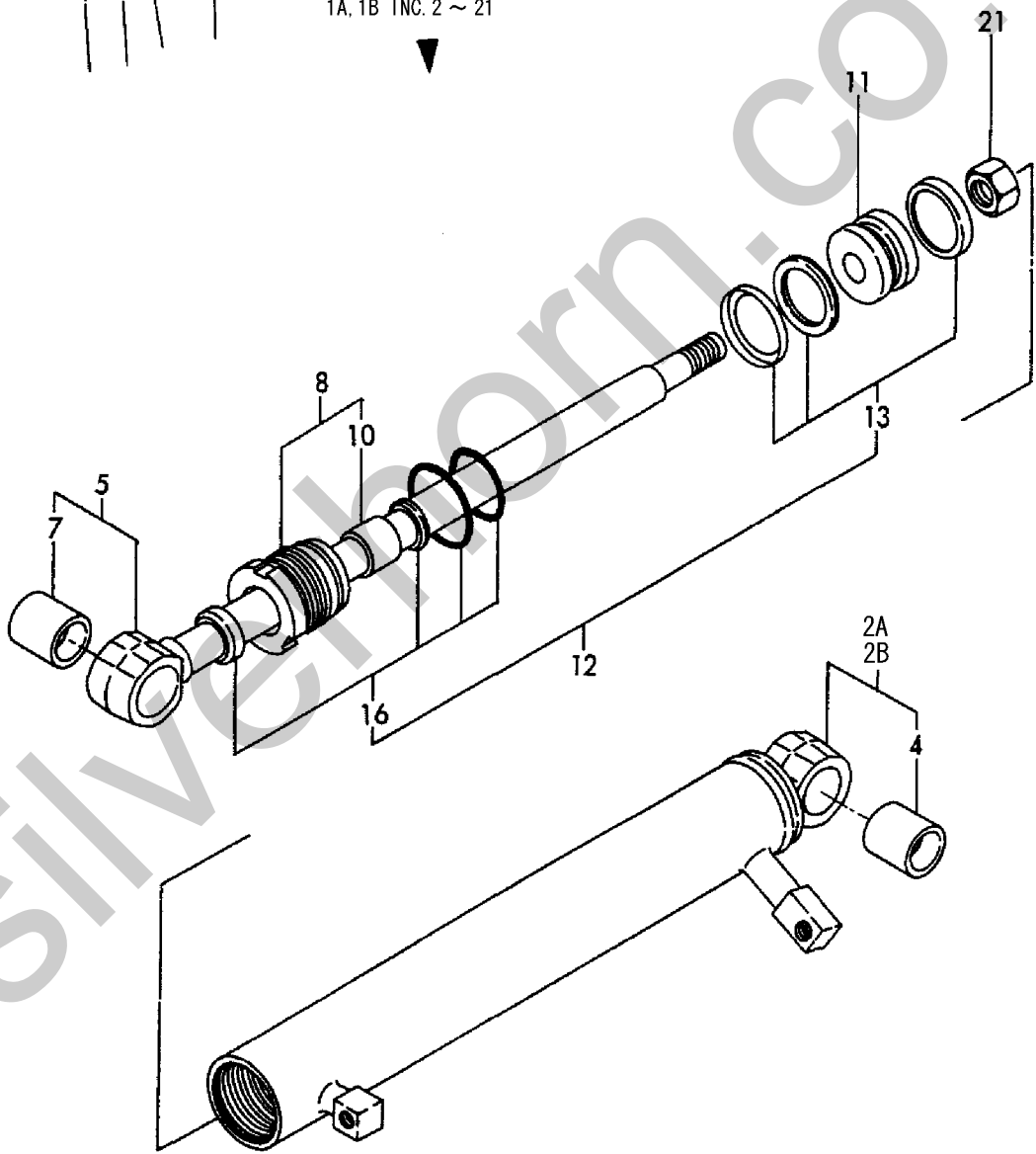


1A,1,,172157-72200,, "CYLINDER ASSY, ARM",1,,1,1,,,,,,,,,,,,,  
1A-1,1,,172157-72200-3,, "CYLINDER ASSY,  
ARM",1,,1,1,,,S,,\*,M/#01831,,,\*,M/#01831,\*M/#01831,,,  
1B,1,,172157-72200-1,, "CYLINDER ASSY, ARM",,1,,,,,,,,,,,,,  
2A,2,,772157-72210,, "TUBE W/BUSH, ARM",1,,1,1,,,,,,,,,,,,,  
2A-1,2,,772157-72210-3,, "TUBE W/BUSH,  
ARM",1,,1,1,,,S,,\*,M/#01831,,,\*,M/#01831,\*M/#01831,,,  
2B,2,,772157-72210-1,, "TUBE W/BUSH, ARM",,1,,,,,,,,,,,,,  
4,3,,172156-72410,, "BUSH, PIN 25 35 A",1,1,1,1,,,,,,,,,,,,,  
5,2,,772157-72230,, "ROD W/BUSH, ARM",1,1,1,1,,,,,,,,,,,,,  
7,3,,172156-72410,, "BUSH, PIN 25 35 A",1,1,1,1,,,,,,,,,,,,,  
8,2,,172157-72620,, "HEAD 5025 B W/BUSH",1,1,1,1,,,,,,,,,,,,,  
10,3,,933111-01700,, "BUSH 25 25, ROD",1,1,1,1,,,,,,,,,,,,,  
10-1,3,,24550-025250,, "BUSH  
25X25",1,1,1,1,,,R,,A1686116,XXX,A1686116,XXX,A1686116,XXX,,,,,I  
11,2,,172157-72700,, "PISTON",1,1,1,1,,,,,,,,,,,,,  
12,2,,172157-99380,, "BUCKET & ARM  
CYL.KIT",1,1,1,1,,,W,,\*,M/#00501,\*M/#00501,,,,,  
13,3,,172157-72040,, "SEAL SET 50B, PISTON",1,1,1,1,,,,,,,,,,,,,  
16,3,,172157-72020,, "SEAL SET 50B, HEAD",1,1,1,1,,,,,,,,,,,,,  
21,2,,172157-72730,, "U-NUT M18",1,1,1,1,,,,,,,,,,,,,





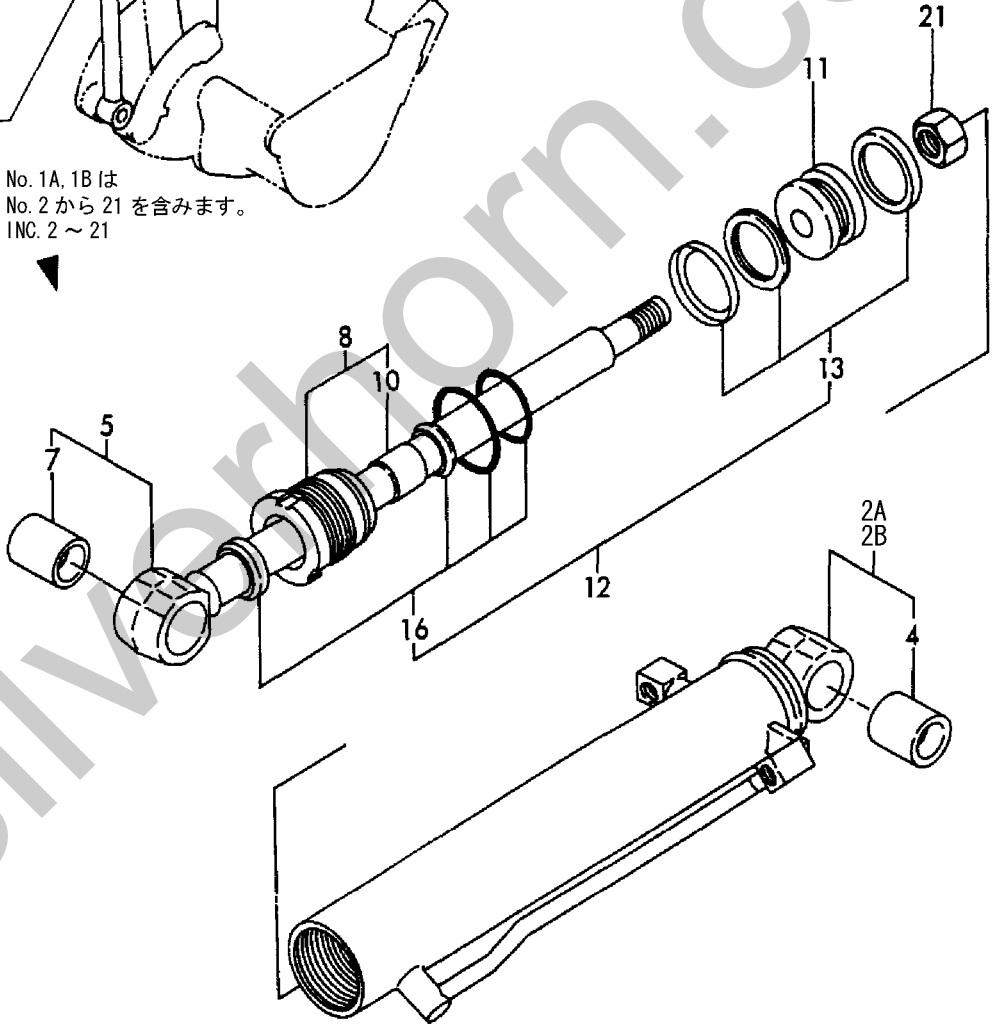
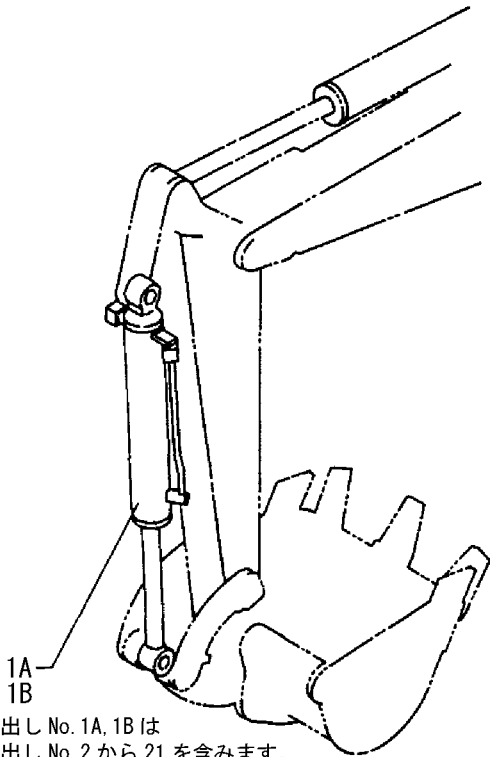
見出し No. 1A, 1B は  
見出し No. 2 から 21 を含みます。  
1A, 1B INC. 2 ~ 21





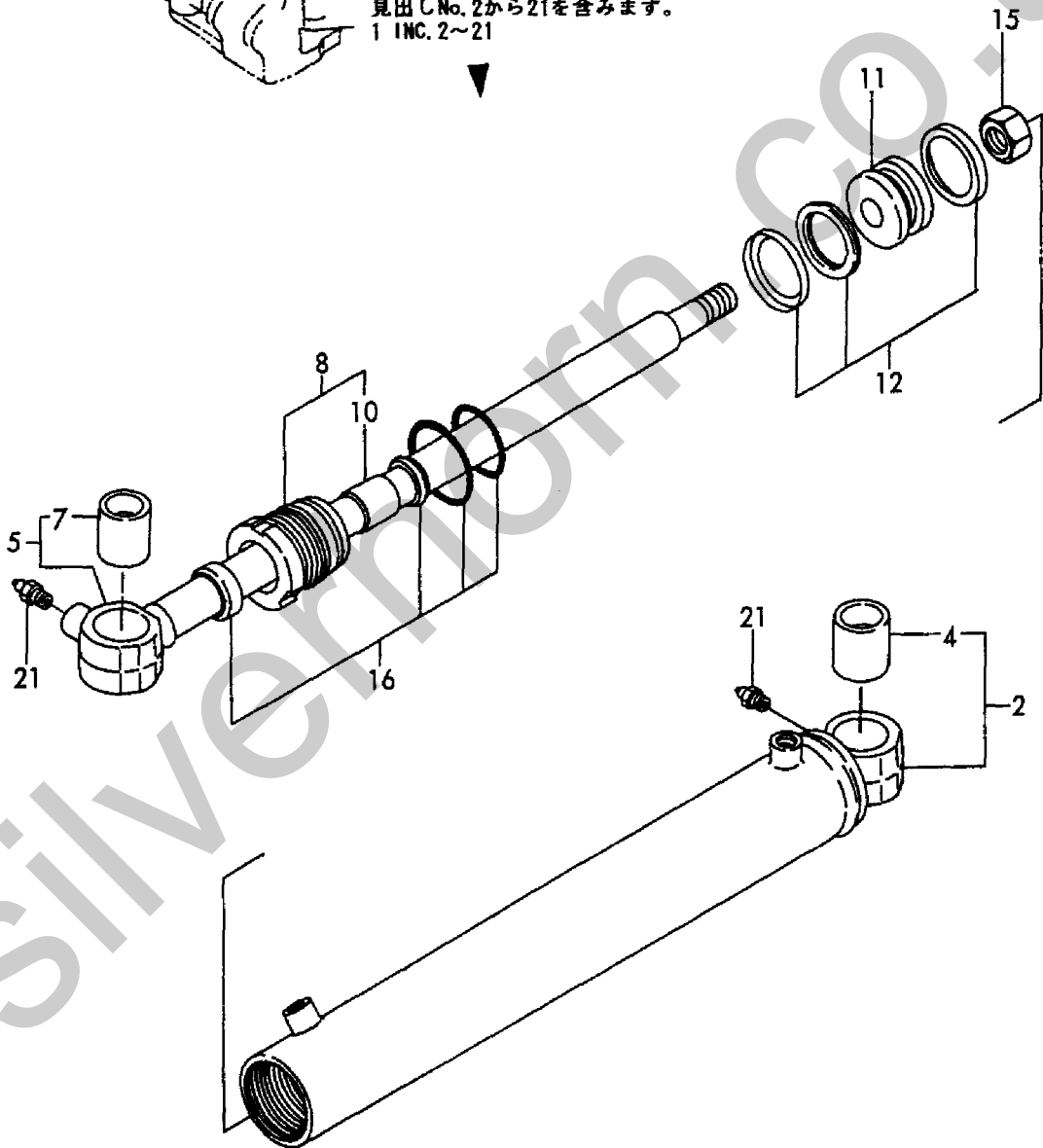
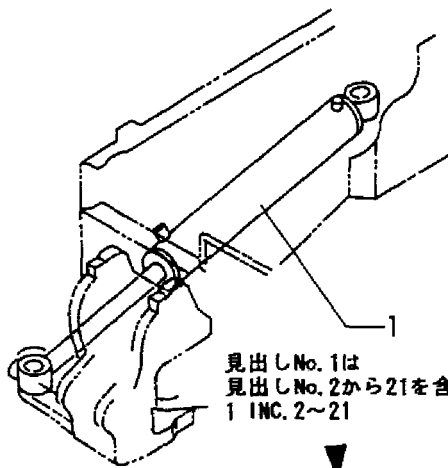
1A,1,,172157-72260,, "CYLINDER ASY, BUCKET",1,,1,1,,,,,,,,,,,,,  
1A-1,1,,172157-72260-3,, "CYLINDER ASY,  
BUCKET",1,,1,1,,S,,\*,M/#01831,,\*,M/#01831,\*M/#01831,,,,,I  
1B,1,,172157-72260-1,, "CYLINDER ASY, BUCKET",,1,,,,,,,,,,,,,  
2A,2,,772157-72270,, "TUBE W/BUSH, BUCKET",1,,1,1,,,,,,,,,,,,,  
2A-1,2,,772157-72270-3,, "TUBE W/BUSH,  
BUCKET",1,,1,1,,S,,\*,M/#01831,,\*,M/#01831,\*M/#01831,,,,,I  
2B,2,,772157-72270-1,, "TUBE W/BUSH,BUCKET",,1,,,,,,,,,,,,,  
4,3,,172156-72410,, "BUSH, PIN 25 35 A",1,1,1,1,,,,,,,,,,,,,  
5,2,,772157-72290,, "ROD W/BUSH, BUCKET",1,1,1,1,,,,,,,,,,,,,  
7,3,,172157-81360,, "BUSH 25 35 A, PIN",1,1,1,1,,,,,,,,,,,,,  
8,2,,172157-72620,, "HEAD 5025 B W/BUSH",1,1,1,1,,,,,,,,,,,,,  
10,3,,933111-01700,, "BUSH 25 25, ROD",1,1,1,1,,,,,,,,,,,,,  
10-1,3,,24550-025250,, "BUSH  
25X25",1,1,1,1,,R,,A1686116,XXX,A1686116,XXX,A1686116,XXX,,  
11,2,,172157-72700,,PISTON,1,1,1,1,,,,,,,,,,,,,  
12,2,,172157-99380,, "BUCKET & ARM  
CYL.KIT",1,1,1,1,,W,,\*,M/#00501,\*M/#00501,,,,,  
13,3,,172157-72040,, "SEAL SET 50B, PISTON",1,1,1,1,,,,,,,,,,,,,  
16,3,,172157-72020,, "SEAL SET 50B, HEAD",1,1,1,1,,,,,,,,,,,,,  
21,2,,172157-72730,, "U-NUT M18",1,1,1,1,,,,,,,,,,,,,

Silverhorn.CO.UK



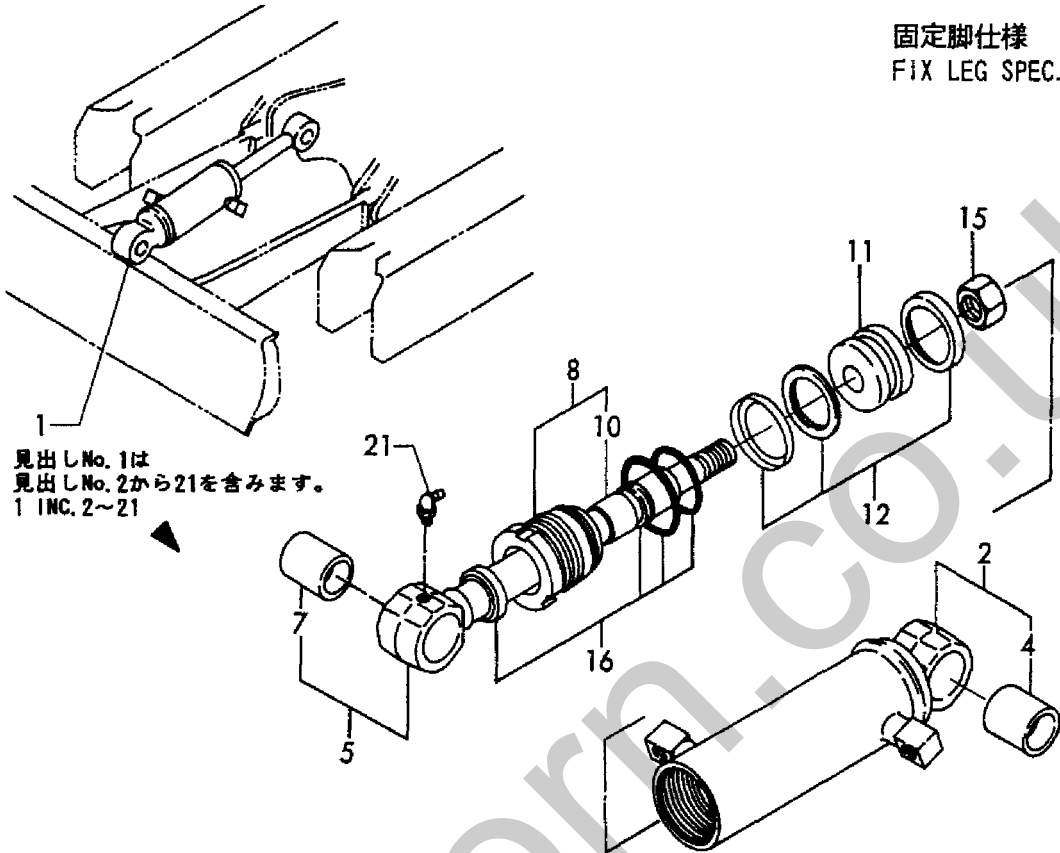
1,1,,172157-72400,, "CYLINDER ASSY, SWING",1,1,1,1,,,,,,,,,,,,,  
2,2,,772157-72410,, "TUBE W/BUSH, SWING",1,1,1,1,,,,,,,,,,,,,  
4,3,,172156-72770,, "BUSH, PIN 25 35 B",1,1,1,1,,,,,,,,,,,,,  
5,2,,772157-72430,, "ROD W/BUSH, SWING",1,1,1,1,,,,,,,,,,,,,  
7,3,,172156-72770,, "BUSH, PIN 25 35 B",1,1,1,1,,,,,,,,,,,,,  
8,2,,172157-72620,, "HEAD 5025 B W/BUSH",1,1,1,1,,,,,,,,,,,,,  
10,3,,933111-01700,, "BUSH 25 25, ROD",1,1,1,1,,,,,,,,,,,,,  
10-1,3,,24550-025250,, "BUSH  
25X25",1,1,1,1,,R,A1686116,XXX,A1686116,XXX,A1686116,XXX,,,,,I  
11,2,,172157-72700,, "PISTON",1,1,1,1,,,,,,,,,,,,,  
12,2,,172157-72040,, "SEAL SET 50B, PISTON",1,1,1,1,,,,,,,,,,,,,  
15,2,,172157-72730,, "U-NUT M18",1,1,1,1,,,,,,,,,,,,,  
16,2,,172157-72020,, "SEAL SET 50B, HEAD",1,1,1,1,,,,,,,,,,,,,  
21,2,,24761-020000,, "NIPPLE PT1/8,GREASE",2,2,2,2,,,,,,,,,,,,,

Silverhorn.CO.UK

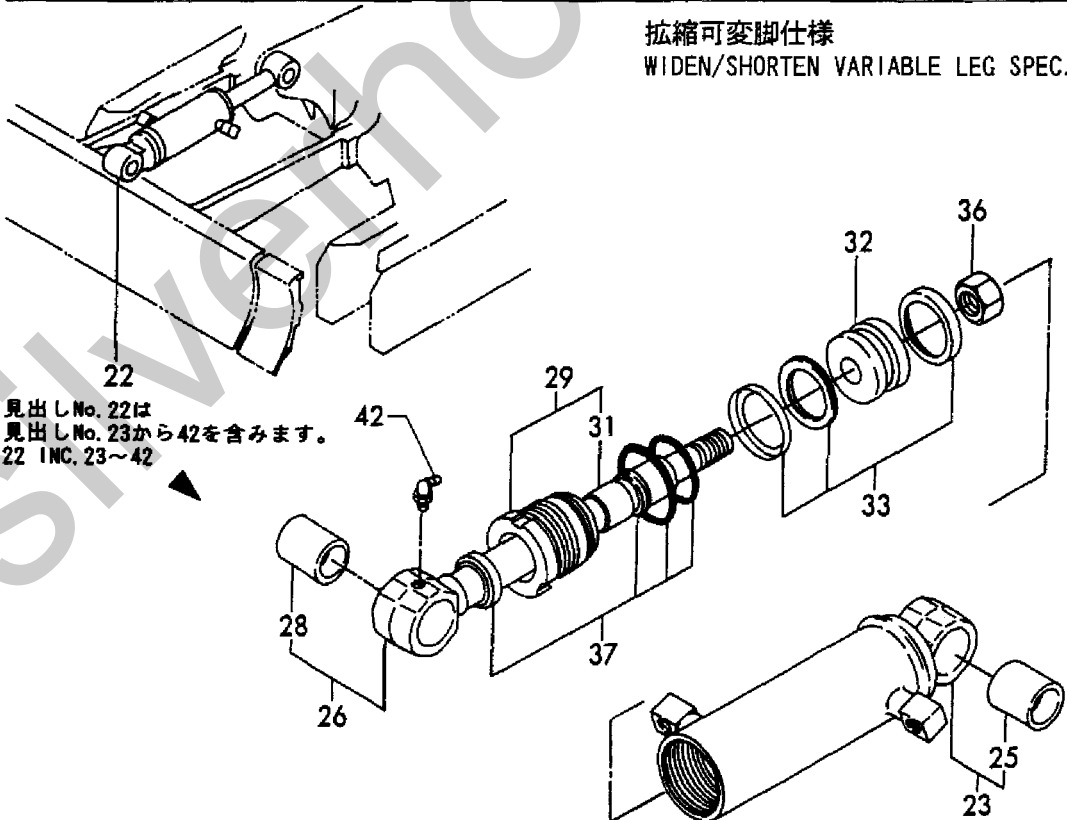


1,1,,172157-72350,, "CYLINDER ASSY, BLADE",1,1,1,1,,,,,1,,,,,,,,,  
2,2,,772157-72360,, "TUBE W/BUSH, BLADE",1,1,1,1,,,,,,,,,  
4,3,,172156-72410,, "BUSH, PIN 25 35 A",1,1,1,1,,,,,,,,,  
5,2,,772157-72380,, "ROD W/BUSH, BLADE",1,1,1,1,,,,,,,,,  
7,3,,172156-72770,, "BUSH, PIN 25 35 B",1,1,1,1,,,,,,,,,  
8,2,,172157-72620,, "HEAD 5025 B W/BUSH",1,1,1,1,,,,,,,,,  
10,3,,933111-01700,, "BUSH 25 25, ROD",1,1,1,1,,,,,,,,,  
10-1,3,,24550-025250,, "BUSH  
25X25",1,1,1,1,, ,R,A1686116,XXX,A1686116,XXX,A1686116,XXX,,,,,I  
11,2,,172157-72700,, "PISTON",1,1,1,1,,,,,,,,,  
12,2,,172157-72040,, "SEAL SET 50B, PISTON",1,1,1,1,,,,,,,,,  
15,2,,172157-72730,, "U-NUT M18",1,1,1,1,,,,,,,,,  
16,2,,172157-72020,, "SEAL SET 50B, HEAD",1,1,1,1,,,,,,,,,  
21,2,,24761-040000,, "NIPPLE B,GREASE",1,1,1,1,,,,,,,,,  
22,1,,172157-72450,, "CYLINDER ASSY, BLADE",1,,1,1,,2,,,,,,,,,  
23,2,,772157-72460,, "TUBE W/BUSH, BLADE",1,,1,1,,,,,,,,,  
25,3,,172156-72410,, "BUSH, PIN 25 35 A",1,,1,1,,,,,,,,,  
26,2,,772157-72480,, "ROD.W/BUSH, BLADE",1,,1,1,,,,,,,,,  
28,3,,172156-72770,, "BUSH, PIN 25 35 B",1,,1,1,,,,,,,,,  
29,2,,172157-72620,, "HEAD 5025 B W/BUSH",1,,1,1,,,,,,,,,  
31,3,,933111-01700,, "BUSH 25 25, ROD",1,,1,1,,,,,,,,,  
31-1,3,,24550-025250,, "BUSH  
25X25",1,,1,1,, ,R,A1686116,XXX,,A1686116,XXX,A1686116,XXX,,,,,I  
32,2,,172157-72700,, "PISTON",1,,1,1,,,,,,,,,  
33,2,,172157-72040,, "SEAL SET 50B, PISTON",1,,1,1,,,,,,,,,  
36,2,,172157-72730,, "U-NUT M18",1,,1,1,,,,,,,,,  
37,2,,172157-72020,, "SEAL SET 50B, HEAD",1,,1,1,,,,,,,,,  
42,2,,24761-040000,, "NIPPLE B,GREASE",1,,1,1,,,,,,,,

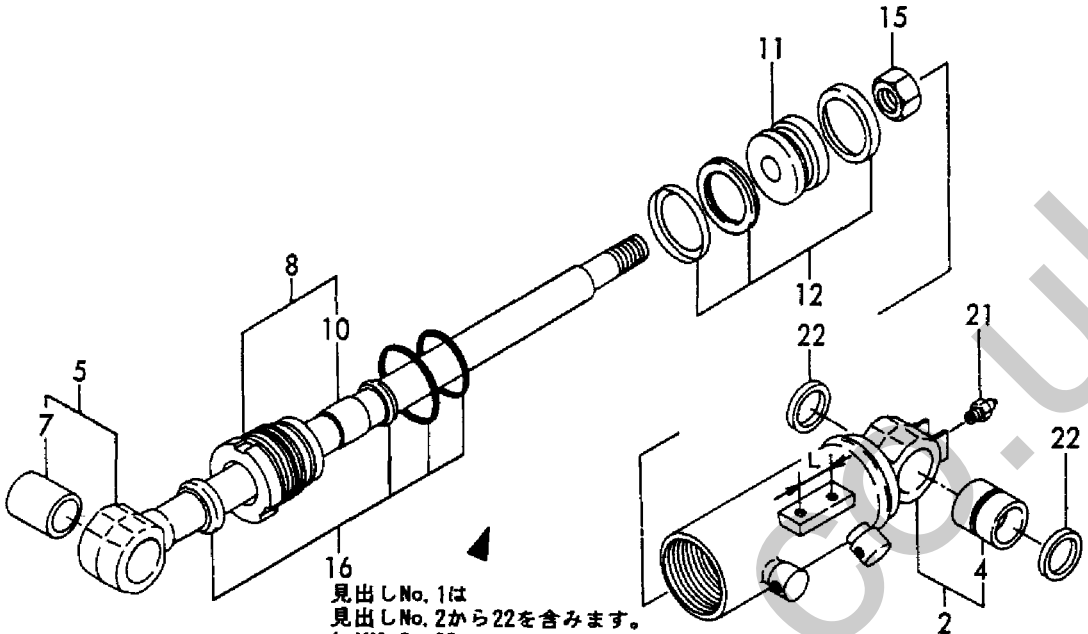
固定脚仕様  
FIX LEG SPEC.



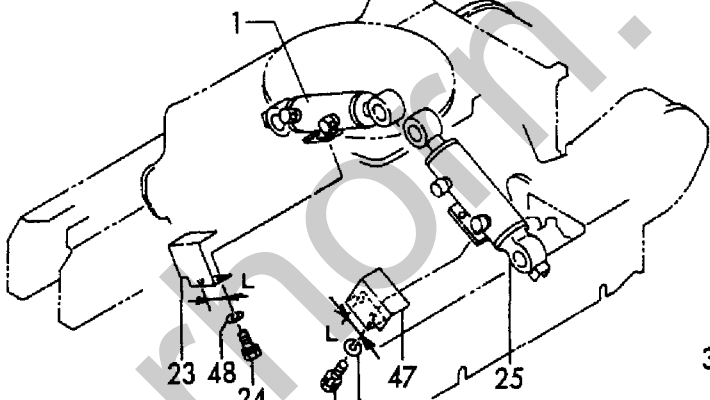
拡張可変脚仕様  
WIDEN/SHORTEN VARIABLE LEG SPEC.



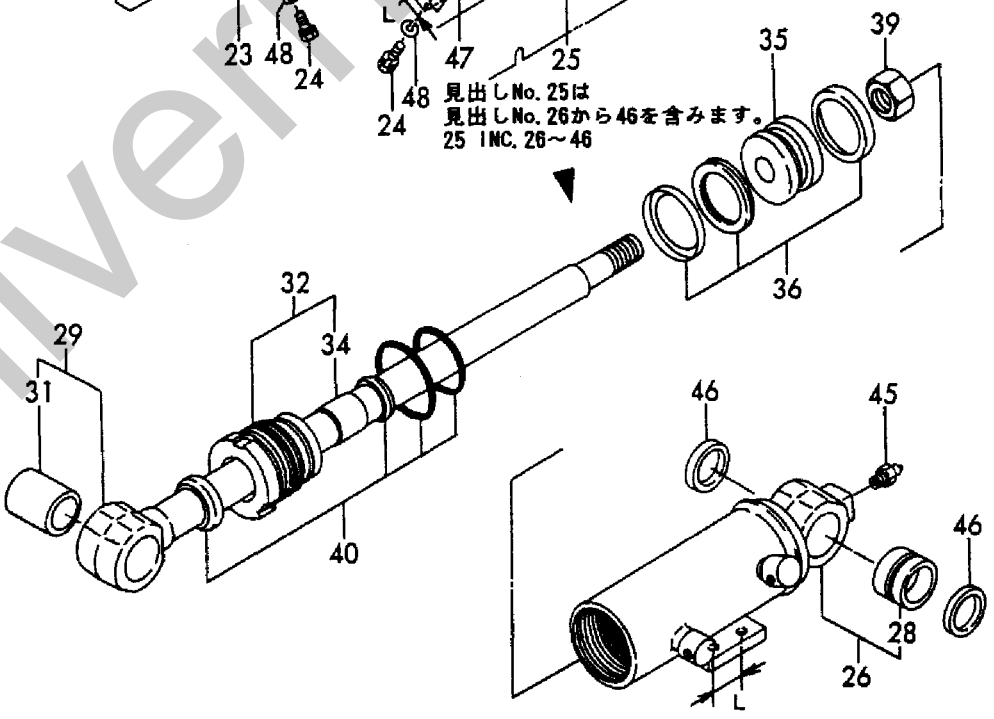
1,1,,172157-72500,, "CYLINDER ASSY, W/SH.",1,,,,,,,,,,,,,  
1-1,1,,172157-72501,, "CYLINDER CMP",1,1,1,,F,1,72157128,M/#00609,,,,,,,,,  
2,2,,772157-72510,, "TUBE W/BUSH, CYL.(R)",1,,,,,,,,,,,,,  
2-1,2,,772157-72511,, "WIDEN/SHORTEN R  
TUBE",1,1,1,,S,3,72157128,M/#00609,,,,,,,,,  
4,3,,172157-72790,, "BUSH, PIN 25 35 B",1,1,1,,,,,,,,,,,,,  
5,2,,772157-72530,, "ROD, WIDEN/SHORTEN",1,1,1,,,,,,,,,,,,,  
7,3,,172157-81360,, "BUSH 25 35 A, PIN",1,1,1,,,,,,,,,,,,,  
8,2,,172157-72620,, "HEAD 5025 B W/BUSH",1,1,1,,,,,,,,,,,,,  
10,3,,933111-01700,, "BUSH 25 25, ROD",1,1,1,,,,,,,,,,,,,  
10-1,3,,24550-025250,, "BUSH  
25X25",1,1,1,,R,A1686116,XXX,,A1686116,XXX,A1686116,XXX,,,,,I  
11,2,,172157-72700,, "PISTON",1,1,1,,,,,,,,,,,,,  
12,2,,172157-72040,, "SEAL SET 50B, PISTON",1,1,1,,,,,,,,,,,,,  
15,2,,172157-72730,, "U-NUT M18",1,1,1,,,,,,,,,,,,,  
16,2,,172157-72020,, "SEAL SET 50B, HEAD",1,1,1,,,,,,,,,,,,,  
21,2,,24761-020000,, "NIPPLE PT1/8,GREASE",1,,,,,,,,,,,,,  
22,2,,172519-91190,, "SEAL 25X35X4, DUST",2,2,2,,,,,,,,,,,,,  
23,1,,172157-72840,, "COVER (R)",1,,,,,,,,,,,,,  
23-1,1,,172157-72841,, "COVER R  
(GRAY:71)",1,1,1,,S,3,72157128,M/#00609,,,,,,,,,  
24,1,,26013-100162,, "BOLT M10X 16",4,4,4,,,,,,,,,,,,,  
24-1,1,,26116-100162,, "BOLT M10X 16 PLATED",4,4,4,,S,\*M/#00501,,,,,,,,,  
25,1,,172157-72550,, "CYLINDER ASSY, W/SH.",1,,,,,,,,,,,,,  
25-1,1,,172157-72551,, "CYLINDER CMP",1,1,1,,F,2,72157128,M/#00609,,,,,,,,,  
26,2,,772157-72560,, "TUBE W/BUSH, CYL.(L)",1,,,,,,,,,,,,,  
26-1,2,,772157-72561,, "WIDEN/SHORTEN L  
TUBE",1,,,,,S,3,72157128,M/#00609,,,,,,,,,  
28,3,,172156-72770,, "BUSH, PIN 25 35 B",1,,,,,,,,,,,,,  
28-1,3,,172157-72790,, "BUSH, PIN 25 35 B",1,1,1,,N,,72175015,M/#00503,,,,,,,,,  
29,2,,772157-72530,, "ROD, WIDEN/SHORTEN",1,1,1,,,,,,,,,,,,,  
31,3,,172156-72410,, "BUSH, PIN 25 35 A",1,,,,,,,,,,,,,  
31-1,3,,172157-81360,, "BUSH 25 35 A, PIN",1,1,1,,N,,72157015,M/#00503,,,,,,,,,  
32,2,,172157-72620,, "HEAD 5025 B W/BUSH",1,1,1,,,,,,,,,,,,,  
34,3,,933111-01700,, "BUSH 25 25, ROD",1,1,1,,,,,,,,,,,,,  
34-1,3,,24550-025250,, "BUSH  
25X25",1,1,1,,R,A1686116,XXX,,A1686116,XXX,A1686116,XXX,,,,,I  
35,2,,172157-72700,, "PISTON",1,1,1,,,,,,,,,,,,,  
36,2,,172157-72040,, "SEAL SET 50B, PISTON",1,1,1,,,,,,,,,,,,,  
39,2,,172157-72730,, "U-NUT M18",1,1,1,,,,,,,,,,,,,  
40,2,,172157-72020,, "SEAL SET 50B, HEAD",1,1,1,,,,,,,,,,,,,  
45,2,,24761-020000,, "NIPPLE PT1/8,GREASE",1,1,1,,,,,,,,,,,,,  
46,2,,172519-91190,, "SEAL 25X35X4, DUST",2,2,2,,,,,,,,,,,,,  
47,1,,172157-72830,, "COVER (L)",1,,,,,,,,,,,,,  
47-1,1,,172157-72831,, "COVER L  
(GRAY:71)",1,1,1,,S,3,72157128,M/#00609,,,,,,,,,  
48,1,,22217-100000,, "SPRING WASHER 10",4,4,4,,W,\*M/#00501,,,,,,,,,



見出しNo. 1は  
見出しNo. 2から22を含みます。  
1 INC. 2~22

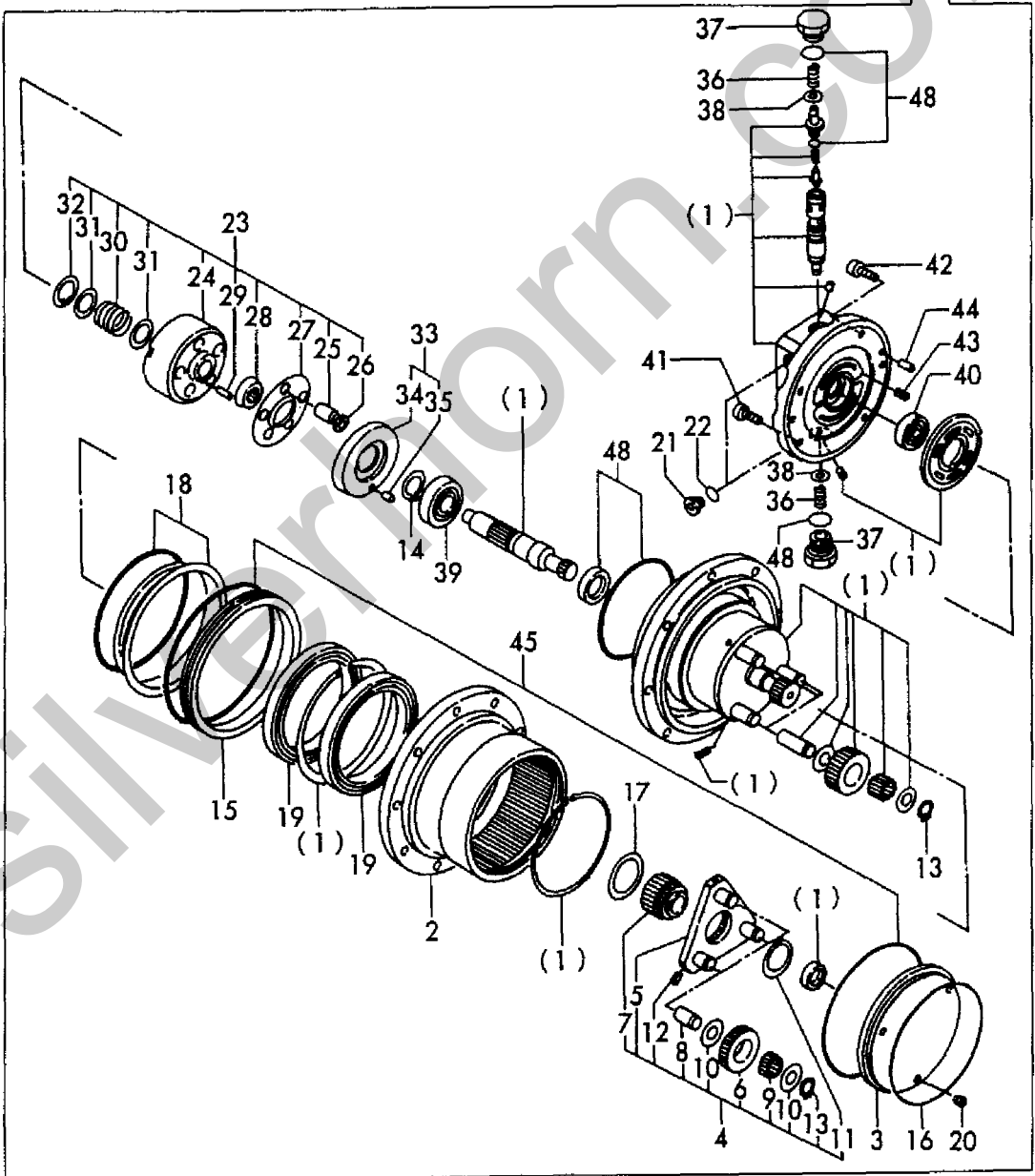
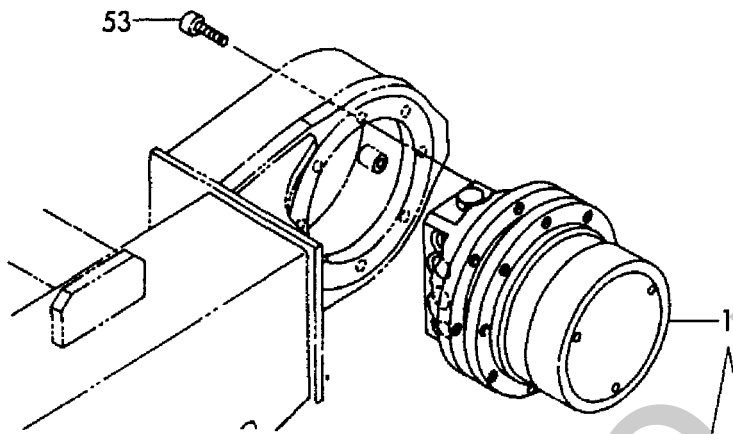


見出しNo. 25は  
見出しNo. 26から46を含みます。  
25 INC. 28~46



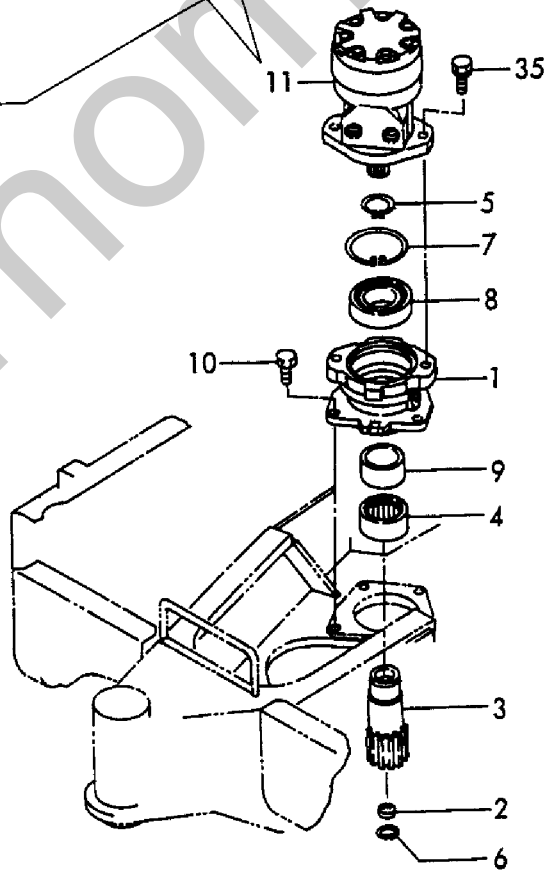
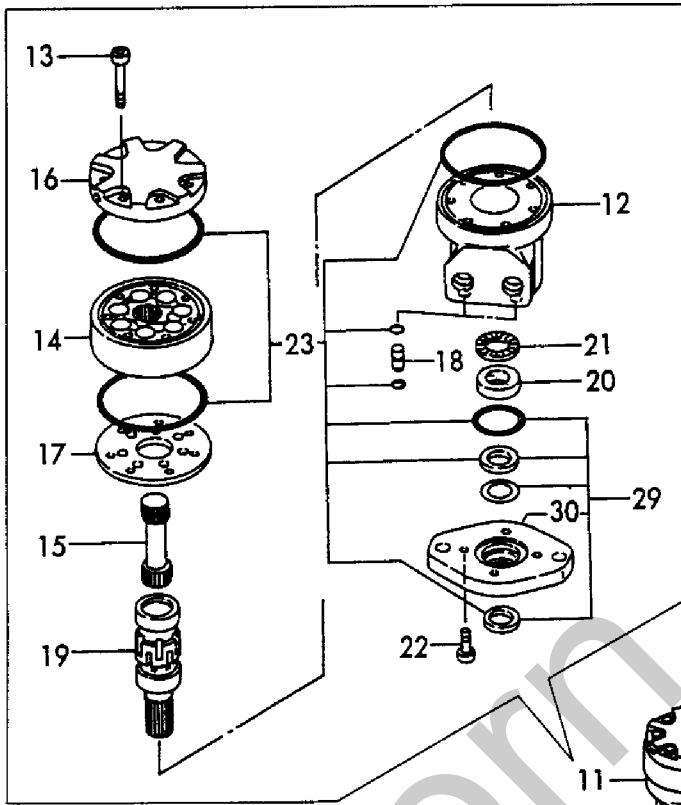


1,1,,172157-73300,, "MOTOR, DRIVING",2,2,2,2,,,,,,,,,,,,,  
2,2,,172157-70000,, HOUSING,2,2,2,2,,,,,,,,,,,,,  
3,2,,172157-70010,, COVER,2,2,2,2,,,,,,,,,,,,,  
4,2,,172157-70250,, CARIA,2,2,2,2,,,,,,,,,,,,,  
5,3,,172157-70020,, CARIA,2,2,2,2,,,,,,,,,,,,,  
6,3,,172157-70040,, GEAR,6,6,6,6,,,,,,,,,,,,,  
7,3,,172157-70050,, GEAR,2,2,2,2,,,,,,,,,,,,,  
8,3,,172157-70070,, PIN,6,6,6,6,,,,,,,,,,,,,  
9,3,,172157-70130,, "NEEDLE BEARING",78,78,78,78,,,,,,,,,,,,,  
10,3,,172157-70160,, "WASHER, THRUST",18,18,18,18,,,,,,,,,,,,,  
11,3,,22242-000260,, "CIRCLIP 26",2,2,2,2,,,,,,,,,,,,,  
12,3,,22351-030012,, "SPRING PIN 3X12",12,12,12,12,,,,,,,,,,,,,  
13,3,,172157-70240,, "SNAP RING",12,12,12,12,,,,,,,,,,,,,  
14,2,,22242-000150,, "CIRCLIP 15",2,2,2,2,,,,,,,,,,,,,  
15,2,,172157-70080,, "SEAL RING",2,2,2,2,,,,,,,,,,,,,  
16,2,,172157-70090,, "SNAP RING",2,2,2,2,,,,,,,,,,,,,  
17,2,,172157-70100,, "COLLAR, THRUST",2,2,2,2,,,,,,,,,,,,,  
18,2,,172157-70140,, SEAL,2,2,2,2,,,,,,,,,,,,,  
19,2,,172157-70150,, BEARING,4,4,4,4,,,,,,,,,,,,,  
20,2,,172157-70210,, PLUG,6,6,6,6,,,,,,,,,,,,,  
21,2,,172157-70230,, PLUG,4,4,4,4,,,,,,,,,,,,,  
22,2,,24315-000110,, "O-RING 1B P-11.0",4,4,4,4,,,,,,,,,,,,,  
23,2,,172157-70510,, "BARREL KIT, CYLINDER",2,2,2,2,,,,,,,,,,,,,  
24,3,,172157-70300,, "BARREL, CYLINDER",2,2,2,2,,,,,,,,,,,,,  
25,3,,172157-70320,, PISTON,10,10,10,10,,,,,,,,,,,,,  
26,3,,172157-70330,, SHOE,10,10,10,10,,,,,,,,,,,,,  
27,3,,172157-70340,, "HOLDER, SHOE",2,2,2,2,,,,,,,,,,,,,  
28,3,,172157-70350,, "HOLDER, BARREL",2,2,2,2,,,,,,,,,,,,,  
29,3,,172157-70400,, PIN,6,6,6,6,,,,,,,,,,,,,  
30,3,,172157-70410,, SPRING,2,2,2,2,,,,,,,,,,,,,  
31,3,,172157-70470,, RETAINER,4,4,4,4,,,,,,,,,,,,,  
32,3,,22252-000200,, "CIRCLIP 20",2,2,2,2,,,,,,,,,,,,,  
33,2,,172157-70520,, "SWASH PLATE KIT",2,2,2,2,,,,,,,,,,,,,  
34,3,,172157-70360,, "SWASH PLATE",2,2,2,2,,,,,,,,,,,,,  
35,3,,22312-080100,, "PARALLEL PIN 8X10",2,2,2,2,,,,,,,,,,,,,  
36,2,,172157-70430,, SPRING,4,4,4,4,,,,,,,,,,,,,  
37,2,,172157-70440,, PLUG,4,4,4,4,,,,,,,,,,,,,  
38,2,,172157-70450,, RING,4,4,4,4,,,,,,,,,,,,,  
39,2,,24101-062024,, "BALL BEARING",2,2,2,2,,,,,,,,,,,,,  
40,2,,24101-060004,, "BALL BEARING",2,2,2,2,,,,,,,,,,,,,  
41,2,,172157-70500,, BOLT,6,6,6,6,,,,,,,,,,,,,  
42,2,,26450-080202,, "BOLT M 8X 20",6,6,6,6,,,,,,,,,,,,,  
43,2,,22351-050012,, "PIN 5X12, SPRING",2,2,2,2,,,,,,,,,,,,,  
44,2,,172157-70490,, "PARALLEL PIN 6X14",2,2,2,2,,,,,,,,,,,,,  
45,2,,172157-70260,, "SEAL KIT",2,2,2,2,,,,,,,,,,,,,  
48,2,,172157-70530,, "SEAL KIT 2",2,2,2,2,,,,,,,,,,,,,  
53,1,,26450-100252,, "BOLT M10X 25",16,16,16,16,,,,,,,,,,,,,



1,1,,172157-57300,, "RETAINER, BEARING",1,1,1,1,,,,,,,,,,,,,  
 2,1,,172131-57310,, "PLUG 26",1,1,1,1,,,,,,,,,,,,,  
 2-1,1,,27260-260000,, "PLUG  
 26,BORE",1,1,1,1,,R,,72157191,M/#05756,72157191,M/#05756,72157191,M/#05756,7215  
 7191,M/#05756,,  
 3,1,,172157-57310,, "PINION 13T",1,1,1,1,,,,,,,,,,,,,  
 4,1,,172157-57360,, "NEEDLE BEARING",1,1,1,1,,,,,,,,,,,,,  
 5,1,,22242-000350,, "CIRCLIP 35",1,1,1,1,,,,,,,,,,,,,  
 6,1,,22252-000260,, "CIRCLIP 26",1,1,1,1,,,,,,,,,,,,,  
 7,1,,22252-000720,, "CIRCLIP 72",1,1,1,1,,,,,,,,,,,,,  
 8,1,,24101-062074,, "BALL BEARING",1,1,1,1,,,,,,,,,,,,,  
 9,1,,24163-405300,, "BEARING, INNER",1,1,1,1,,,,,,,,,,,,,  
 10,1,,26013-100252,, "BOLT W/WASHER M10X25",4,4,4,4,,,,,,,,,,,,,  
 11,1,,172157-73310,, "MOTOR, TURNING",1,1,1,1,,,,,,,,,,,,,  
 12,2,,172157-73320,, "HOUSING",1,1,1,1,,,,,,,,,,,,,  
 13,2,,172131-73360,, "BOLT,7,7,7,7",,,,,,,,,,,,,,  
 14,2,,172131-73370,, "ROLLER ASSY",1,1,1,1,,,,,,,,,,,,,  
 15,2,,172131-73381,, "DRIVE",1,1,1,1,,,,,,,,,,,,,  
 16,2,,172131-73410,, "END CAP",1,1,1,1,,,,,,,,,,,,,  
 17,2,,172131-73420,, "PLATE,SPACER",1,1,1,1,,,,,,,,,,,,,  
 18,2,,172131-73440,, "PLUG,HOUSING",1,1,1,1,,,,,,,,,,,,,  
 19,2,,172131-73460,, "SHAFT,OUT PUT",1,1,1,1,,,,,,,,,,,,,  
 20,2,,172131-73470,, "BEARING,THRUST RACE",1,1,1,1,,,,,,,,,,,,,  
 21,2,,172131-73480,, "BEARING, NEEDLE",1,1,1,1,,,,,,,,,,,,,  
 22,2,,172131-73490,, "BOLT,BROACH",4,4,4,4,,,,,,,,,,,,,  
 23,2,,172131-73551,, "SEAL KIT, MOTOR",1,1,1,1,,,,,,,,,,,,,  
 29,2,,172131-73931,, "FLANGE",1,1,1,1,,,,,,,,,,,,,  
 30,3,,172131-73431,, "FLANGE",1,1,1,1,,,,,,,,,,,,,  
 35,1,,26013-120302,, "BOLT W/WASHER M12X30",2,2,2,2,,,,,,,,,,,,,

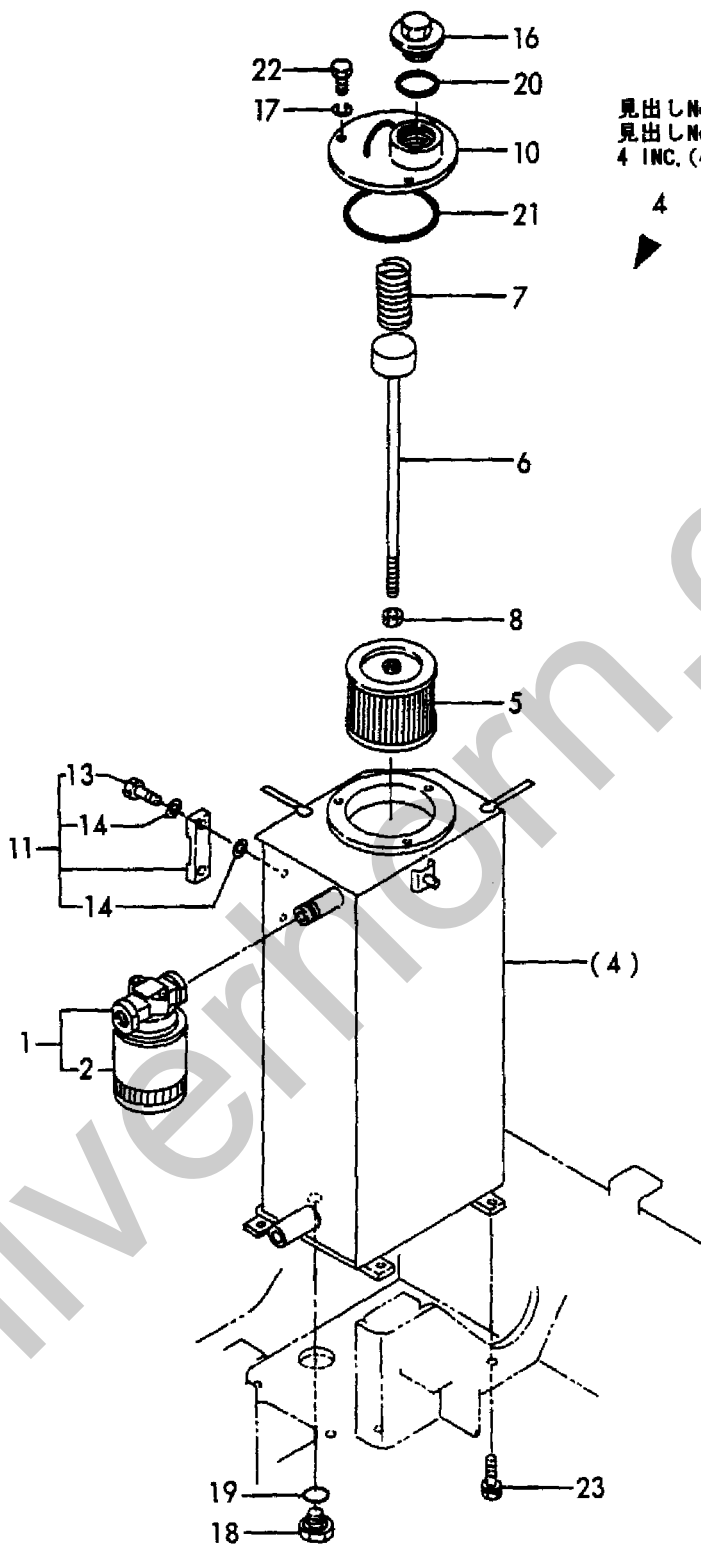




Silverhorn.CO.UK

1,1,,172131-73700,, "FILTER W/COVER",1,1,,,,,,,,,,,,,  
1-1,1,,172156-73700,, "STRAINER,  
RETURN",1,1,1,1,,N,,72157154,M/#01725,72157154,M/#01725,,,,,,,,,  
2,2,,172131-73740,, "FILTER, CARTRIDGE",1,1,,,,,,,,,,,,,  
2-1,2,,172156-  
73710,,ELEMENT,1,1,1,1,,S,,72157154,M/#01725,72157154,M/#01725,,,,,,,,,  
4,1,,772157-73700,, "RESERVOIR ASSY",1,1,1,1,,,,,,,,,,,,,  
5,2,,172137-73700,, "FILTER, SUCTION",1,1,1,1,,,,,,,,,,,,,  
6,2,,172141-73710,, "ROD, STRAINER",1,1,1,1,,,,,,,,,,,,,  
7,2,,172112-75780,, "SPRING, STRAINER",1,1,1,1,,,,,,,,,,,,,  
8,2,,26716-100002,, "NUT 10",1,1,1,1,,,,,,,,,,,,,  
10,2,,172141-75400,, "COVER, EXIT",1,1,1,1,,,,,,,,,,,,,  
11,2,,172122-75600,, "GAUGE, OIL LEVEL",1,1,1,1,,,,,,,,,,,,,  
13,3,,172122-75620,,BOLT,2,2,2,2,,,,,,,,,,,,,  
14,3,,172122-75630,,GASKET,4,4,4,4,,,,,,,,,,,,,  
16,2,,172116-75850,, "PLUG (YELLOW:87)",1,1,1,1,,,,,,,,,,,,,  
17,2,,22217-080000,, "SPRING WASHER 8",3,3,3,3,,,,,,,,,,,,,  
18,2,,23491-140002,, "PLUG 14",1,1,1,1,,,,,,,,,,,,,  
19,2,,24311-000160,, "O-RING 1A P-16.0",1,1,1,1,,,,,,,,,,,,,  
20,2,,24311-000380,, "O-RING 1A P-38.0",1,1,1,1,,,,,,,,,,,,,  
21,2,,24321-001050,, "O-RING 1A G-105.0",1,1,1,1,,,,,,,,,,,,,  
22,2,,26116-080202,, "BOLT M 8X 20 PLATED",3,3,3,3,,,,,,,,,,,,,  
23,1,,26013-100252,, "BOLT W/WASHER M10X25",4,4,4,4,,,,,,,,,,,,,





見出しNo. 4は  
見出しNo. (4)から22を含みます。  
4 INC. (4)~22

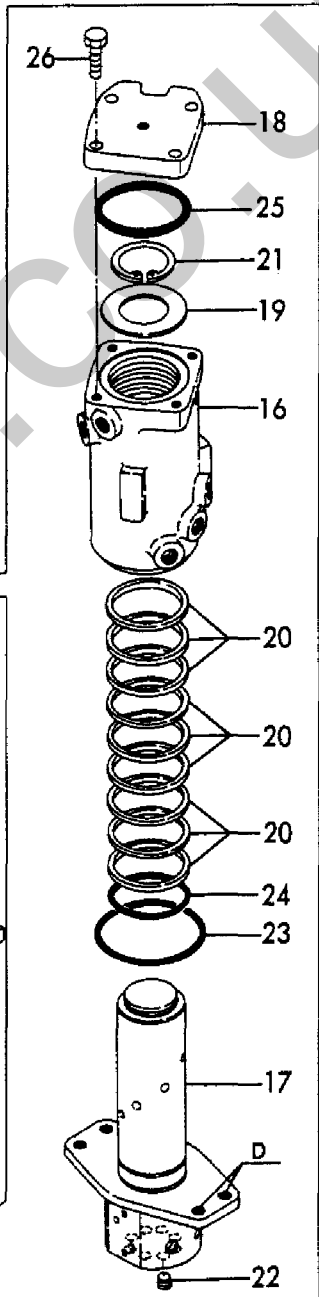
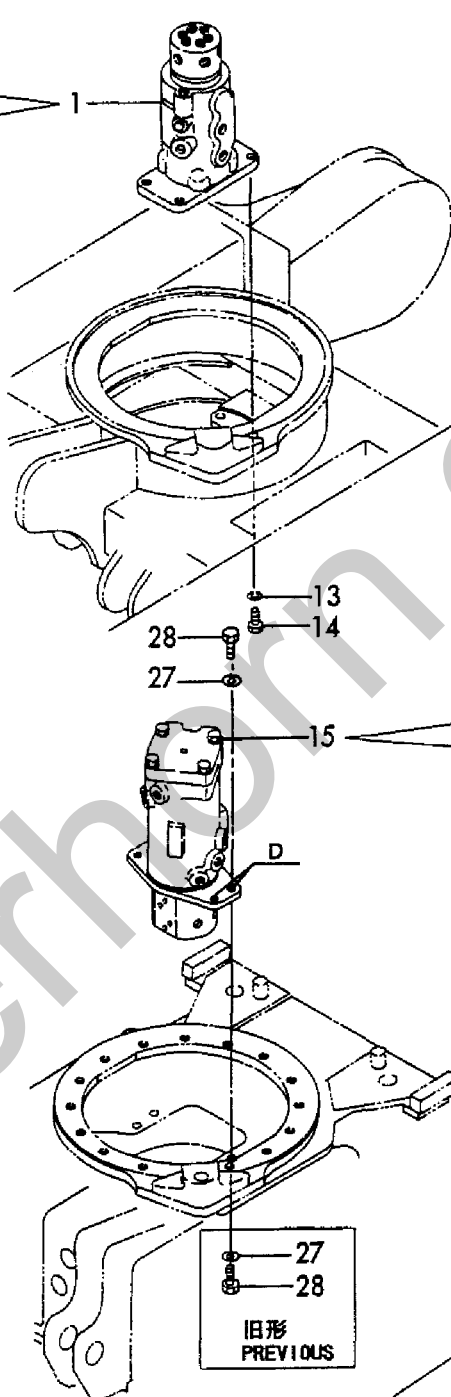
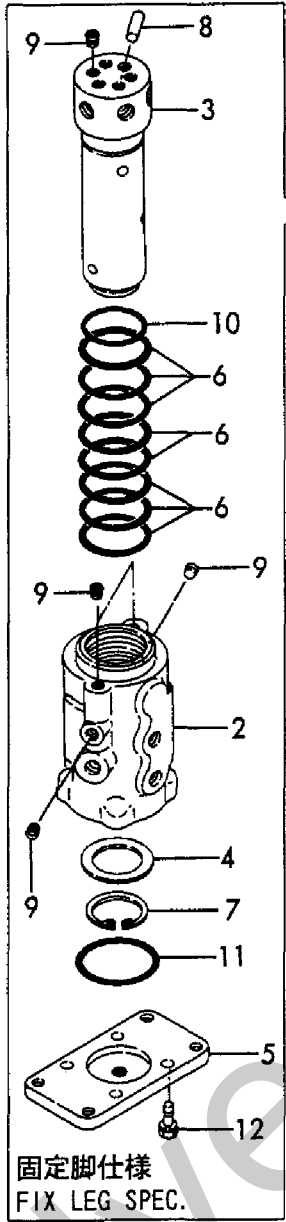
4



Silverline.co.uk

1,1,,172157-73800,, "JOINT, SWIVEL",1,1,1,1,,,,,2,,,,,,,,,,,,,  
 2,2,,172156-73810,, "HUB, SWIVEL",1,1,1,1,,,,,,,,,,,,,  
 3,2,,172156-73820,, "SHAFT, SWIVEL",1,1,1,1,,,,,,,,,,,,,  
 4,2,,172156-73840,, "SPACER, SWIVEL",1,1,1,1,,,,,,,,,,,,,  
 5,2,,172157-73840,, "FLANGE, SWIVEL",1,1,1,1,,,,,,,,,,,,,  
 6,2,,172156-73850,, "O-RING,8,8,8,8,,,,,,,,,,,,,  
 7,2,,22242-000401,, "CIRCLIP 40-S",1,1,1,1,,,,,,,,,,,,,  
 8,2,,22312-100320,, "PARALLEL PIN 10X32",1,1,1,1,,,,,,,,,,,,,  
 9,2,,23871-010000,, "PLUG PT1/8,SCREW",10,10,10,10,,,,,,,,,,,,,  
 10,2,,24311-000480,, "O-RING 1A P-48.0",1,1,1,1,,,,,,,,,,,,,  
 11,2,,24321-000600,, "O-RING 1A G-60.0",1,1,1,1,,,,,,,,,,,,,  
 12,2,,26013-080252,, "BOLT M 8X 25",4,4,4,4,,,,,,,,,,,,,  
 13,1,,22217-100000,, "SPRING WASHER 10",4,4,4,4,,,,,,,,,,,,,  
 14,1,,26116-100202,, "BOLT M10X 20 PLATED",4,4,4,4,,,,,,,,,,,,,  
 15,1,,172157-73850,, "JOINT, SWIVEL",1,,,,,3,,,,,,,,,,,,,  
 15-1,1,,172157-73851,, "JOINT CMP(SWIVEL",1,,1,1,,S,1,72157130,M/#00503,,,,,,,,,,,,,  
 16,2,,172157-73860,, "HUB, SWIVEL",1,,1,1,,,,,,,,,,,,,  
 17,2,,172157-73870,, "SHAFT, SWIVEL",1,,,,,,,,,,,,,  
 17-1,2,,172157-73871,, "SHAFT CMP(SWIVEL",1,,1,1,,S,1,72157130,M/#00503,,,,,,,,,,,,,  
 18,2,,172157-73900,, "FLANGE, SWIVEL",1,,1,1,,,,,,,,,,,,,  
 19,2,,172157-73910,, "SPACER, SWIVEL",1,,1,1,,,,,,,,,,,,,  
 20,2,,172157-73930,, "SEAL, SWIVEL",9,,9,9,,,,,,,,,,,,,  
 20-1,2,,172447-  
 73840,,SEAL,9,,9,9,,R,,72157194,M/#05848,,72157194,M/#05848,72157194,M/#05848,  
 ,,,I  
 21,2,,22242-000401,, "CIRCLIP 40-S",1,,1,1,,,,,,,,,,,,,  
 22,2,,23871-010000,, "PLUG PT1/8,SCREW",8,,8,8,,,,,,,,,,,,,  
 23,2,,24311-000750,, "O-RING 1A P-75.0",1,,1,1,,,,,,,,,,,,,  
 24,2,,24315-000560,, "O-RING 1B P 56.0",1,,1,1,,,,,,,,,,,,,  
 25,2,,24321-000700,, "O-RING 1A G70.0,NBR",1,,1,1,,,,,,,,,,,,,  
 26,2,,26013-080302,, "BOLT M 8X 30",4,,4,4,,,,,,,,,,,,,  
 27,1,,22217-100000,, "SPRING WASHER 10",4,,4,4,,,,,,,,,,,,,  
 28,1,,26116-100202,, "BOLT M10X 20 PLATED",4,,4,4,,,,,,,,,,,,,

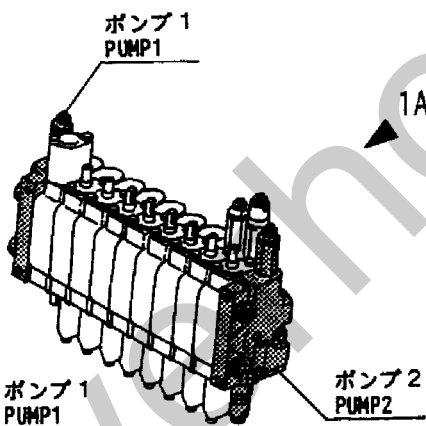
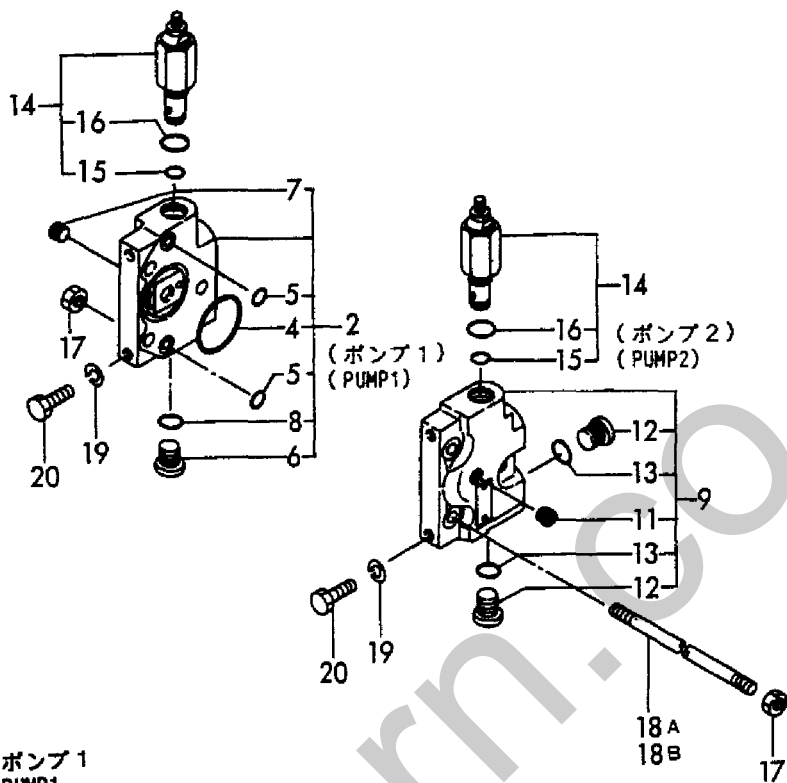




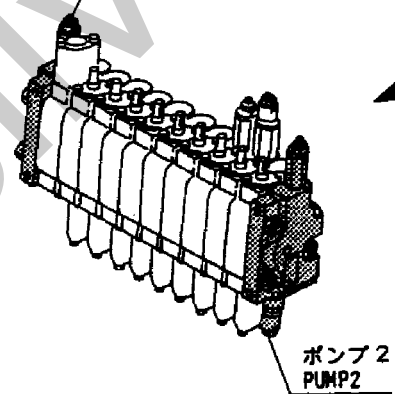


1A,1,,172157-74100,, "VALVE ASSY, CONTROL",1,1,1,1,,,,,1,,,,,,,,,,,,,  
1B,1,,172157-74110,, "VALVE ASSY, CONTROL",1,,1,1,,,,,2,,,,,,,,,,,,,  
2,2,,172157-71060,, "SECTION ASSY, P1",1,1,1,1,,,,,1,,,,,,,,,,,,,  
4,3,,172157-70710,, "O-RING",1,1,1,1,,,,,1,,,,,,,,,,,,,  
5,3,,24315-000100,, "O-RING 1B P-10.0",2,2,2,2,,,,,1,,,,,,,,,,,,,  
6,3,,172157-70970,, "PLUG PF1/4",1,1,1,1,,,,,1,,,,,,,,,,,,,  
7,3,,23871-010000,, "PLUG PT1/8, SCREW",1,1,1,1,,,,,1,,,,,,,,,,,,,  
8,3,,24315-000110,, "O-RING 1B P-11.0",1,1,1,1,,,,,1,,,,,,,,,,,,,  
9,2,,172157-71080,, "SECTION ASSY, P2",1,1,1,1,,,,,1,,,,,,,,,,,,,  
11,3,,23871-010000,, "PLUG PT1/8, SCREW",1,1,1,1,,,,,1,,,,,,,,,,,,,  
12,3,,172157-70970,, "PLUG PF1/4",2,2,2,2,,,,,1,,,,,,,,,,,,,  
13,3,,24315-000110,, "O-RING 1B P-11.0",2,2,2,2,,,,,1,,,,,,,,,,,,,  
14,2,,172157-74290,, "VALVE, RELIEF",2,2,2,2,,,,,1,,,,,,,,,,,,,  
15,3,,24315-000100,, "O-RING 1B P-10.0",2,2,2,2,,,,,1,,,,,,,,,,,,,  
16,3,,24315-000140,, "O-RING 1B P-14.0",2,2,2,2,,,,,1,,,,,,,,,,,,,  
17,2,,26716-080002,, "NUT M 8",6,6,6,6,,,,,1,,,,,,,,,,,,,  
18A,2,,172157-74150,, "BOLT 8X264",3,3,3,3,,,,,1,,,,,,,,,,,,,  
18B,2,,172157-74670,, "BOLT 8X288",3,,3,3,,,,,2,,,,,,,,,,,,,  
19,1,,22217-080000,, "SPRING WASHER 8",4,4,4,4,,,,,1,,,,,,,,,,,,,  
20,1,,26116-080162,, "BOLT 8X16",4,4,4,4,,,,,1,,,,,,,,,,,,,

Silverhorn.CO.UK



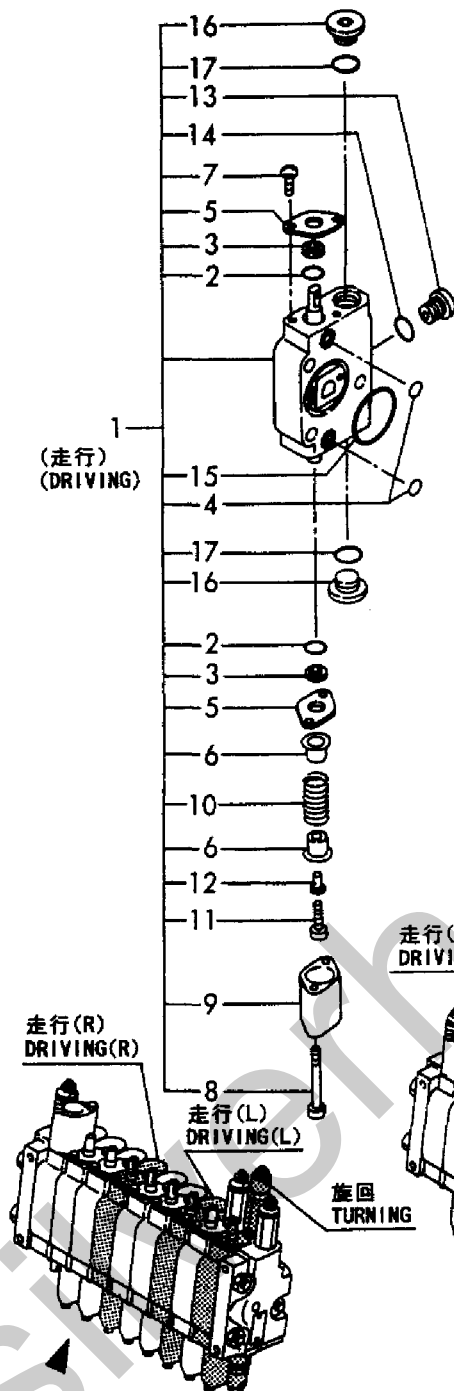
**1A**  
 コントロールバルブASSY (固定脚仕様)  
 CONTROL VALVE ASSY (FIX LEG SPEC.)  
 (172157-74100)  
 項目No. 40の見出しNo. 1Aは  
 項目No. 40の見出しNo. 2から18Aと  
 項目No. 41の見出しNo. 1から36と  
 項目No. 42の見出しNo. 1から44と  
 項目No. 43の見出しNo. 1から42と  
 項目No. 44の見出しNo. 1から39を含みます。  
 Fig. 40 Ref. No. 1A  
 INC. Fig. 40 Ref. No. 2~18A  
 Fig. 41 Ref. No. 1~36  
 Fig. 42 Ref. No. 1~44  
 Fig. 43 Ref. No. 1~42  
 Fig. 44 Ref. No. 1~39



**1B**  
 コントロールバルブASSY (拡張可変脚仕様)  
 CONTROL VALVE ASSY (WIDEN/SHORTEN VARIABLE LEG SPEC.)  
 (172157-74110)  
 項目No. 40の見出しNo. 1Bは  
 項目No. 40の見出しNo. 2から18Bと  
 項目No. 41の見出しNo. 1から36と  
 項目No. 42の見出しNo. 1から44と  
 項目No. 43の見出しNo. 1から42と  
 項目No. 44の見出しNo. 1から39と  
 項目No. 45の見出しNo. 1から17を含みます。  
 Fig. 40 Ref. No. 1B  
 INC. Fig. 40 Ref. No. 2~18B  
 Fig. 41 Ref. No. 1~36  
 Fig. 42 Ref. No. 1~44  
 Fig. 43 Ref. No. 1~42  
 Fig. 44 Ref. No. 1~39  
 Fig. 45 Ref. No. 1~17

1,2,,172157-70860,, "SECTION ASSY, DRIV.",2,2,2,2,,,,,,,,,,,,,  
2,3,,24311-240100,, "O-RING 1A P-10A",4,4,4,4,,,,,,,,,,,,,  
3,3,,172157-70630,, "BAC UP RING",4,4,4,4,,,,,,,,,,,,,  
4,3,,24315-000100,, "O-RING 1B P-10.0",4,4,4,4,,,,,,,,,,,,,  
5,3,,172157-70640,, "PLATE, O-RING",4,4,4,4,,,,,,,,,,,,,  
6,3,,172157-70650,, "SEAT, SPRING",4,4,4,4,,,,,,,,,,,,,  
7,3,,26557-050102,, "SCREW M 5X 10",4,4,4,4,,,,,,,,,,,,,  
8,3,,26450-050452,, "BOLT M 5X 45",4,4,4,4,,,,,,,,,,,,,  
9,3,,172157-70660,, CAP,2,2,2,2,,,,,,,,,,,,,  
10,3,,172157-70670,, "SPRING, RETURN",2,2,2,2,,,,,,,,,,,,,  
11,3,,26450-050202,, "BOLT M 5X 20",2,2,2,2,,,,,,,,,,,,,  
12,3,,172157-70680,, SPACER,2,2,2,2,,,,,,,,,,,,,  
13,3,,172157-70700,, "SEAT, SPRING",2,2,2,2,,,,,,,,,,,,,  
14,3,,24315-000110,, "O-RING 1B P-11.0",2,2,2,2,,,,,,,,,,,,,  
15,3,,172157-70710,, O-RING,2,2,2,2,,,,,,,,,,,,,  
16,3,,172157-70720,, "PLUG PF3/8",4,4,4,4,,,,,,,,,,,,,  
17,3,,24315-000140,, "O-RING 1B P-14.0",4,4,4,4,,,,,,,,,,,,,  
18,2,,172157-71020,, "SECTION ASSY, TURN.",1,1,1,1,,,,,,,,,,,,,  
19,3,,24311-240100,, "O-RING 1A P-10A",2,2,2,2,,,,,,,,,,,,,  
20,3,,172157-70630,, "BAC UP RING",2,2,2,2,,,,,,,,,,,,,  
21,3,,24315-000100,, "O-RING 1B P-10.0",2,2,2,2,,,,,,,,,,,,,  
22,3,,172157-70640,, "PLATE, O-RING",2,2,2,2,,,,,,,,,,,,,  
23,3,,172157-70650,, "SEAT, SPRING",2,2,2,2,,,,,,,,,,,,,  
24,3,,26557-050102,, "SCREW M 5X 10",2,2,2,2,,,,,,,,,,,,,  
25,3,,26450-050452,, "BOLT M 5X 45",2,2,2,2,,,,,,,,,,,,,  
26,3,,172157-70660,, CAP,1,1,1,1,,,,,,,,,,,,,  
27,3,,172157-70780,, "SPRING, RETURN",1,1,1,1,,,,,,,,,,,,,  
28,3,,26450-050202,, "BOLT M 5X 20",1,1,1,1,,,,,,,,,,,,,  
29,3,,172157-70680,, SPACER,1,1,1,1,,,,,,,,,,,,,  
30,3,,172137-74520,, "VALVE, CHECK",1,1,1,1,,,,,,,,,,,,,  
31,3,,172157-70690,, SPRING,1,1,1,1,,,,,,,,,,,,,  
32,3,,172157-70700,, "SEAT, SPRING",1,1,1,1,,,,,,,,,,,,,  
33,3,,24315-000110,, "O-RING 1B P-11.0",1,1,1,1,,,,,,,,,,,,,  
34,3,,172157-70710,, O-RING,1,1,1,1,,,,,,,,,,,,,  
35,2,,172157-74320,, VALVE,2,2,2,2,,,,,,,,,,,,,  
36,3,,24315-000140,, "O-RING 1B P-14.0",2,2,2,2,,,,,,,,,,,,,





コントロールバルブASSY (固定脚仕様)  
CONTROL VALVE ASSY (FIX LEG SPEC.)  
(172157-74100)

項目No. 40の見出しNo. 1Aは  
項目No. 40の見出しNo. 2から18Aと  
項目No. 41の見出しNo. 1から36と  
項目No. 42の見出しNo. 1から44と  
項目No. 43の見出しNo. 1から42と  
項目No. 44の見出しNo. 1から39を含みます。

Fig. 40 Ref. No. 1A

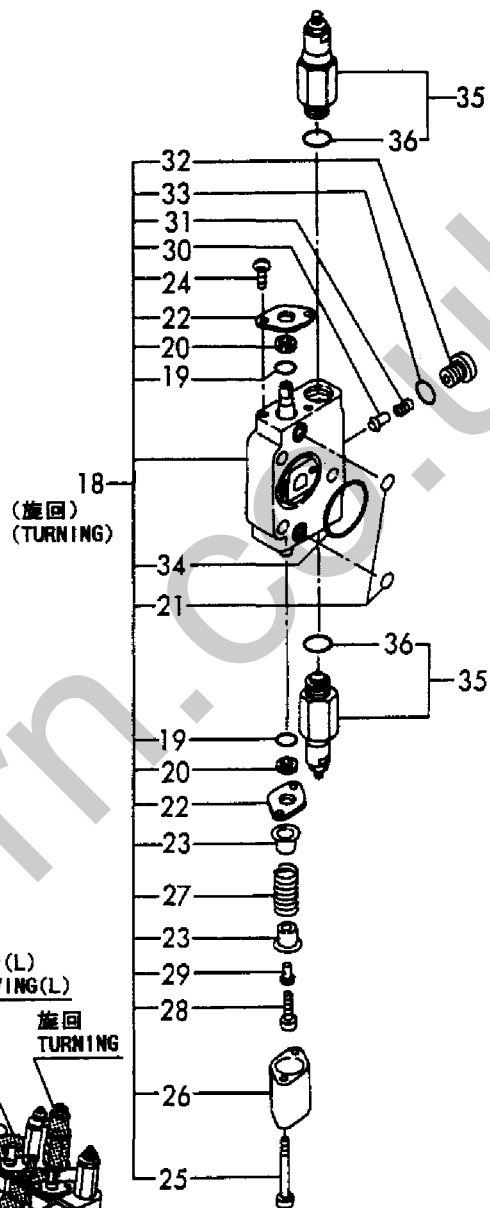
INC. Fig. 40 Ref. No. 2~18A

Fig. 41 Ref. No. 1~36

Fig. 42 Ref. No. 1~44

Fig. 43 Ref. No. 1~42

Fig. 44 Ref. No. 1~39



コントロールバルブASSY (拡張可変脚仕様)

CONTROL VALVE ASSY (WIDEN/SHORTEN VARIABLE LEG SPEC.)  
(172157-74110)

項目No. 40の見出しNo. 1Bは  
項目No. 40の見出しNo. 2から18Bと  
項目No. 41の見出しNo. 1から36と  
項目No. 42の見出しNo. 1から44と  
項目No. 43の見出しNo. 1から42と  
項目No. 44の見出しNo. 1から39と  
項目No. 45の見出しNo. 1から17を含みます。

Fig. 40 Ref. No. 1B

INC. Fig. 40 Ref. No. 2~18B

Fig. 41 Ref. No. 1~36

Fig. 42 Ref. No. 1~44

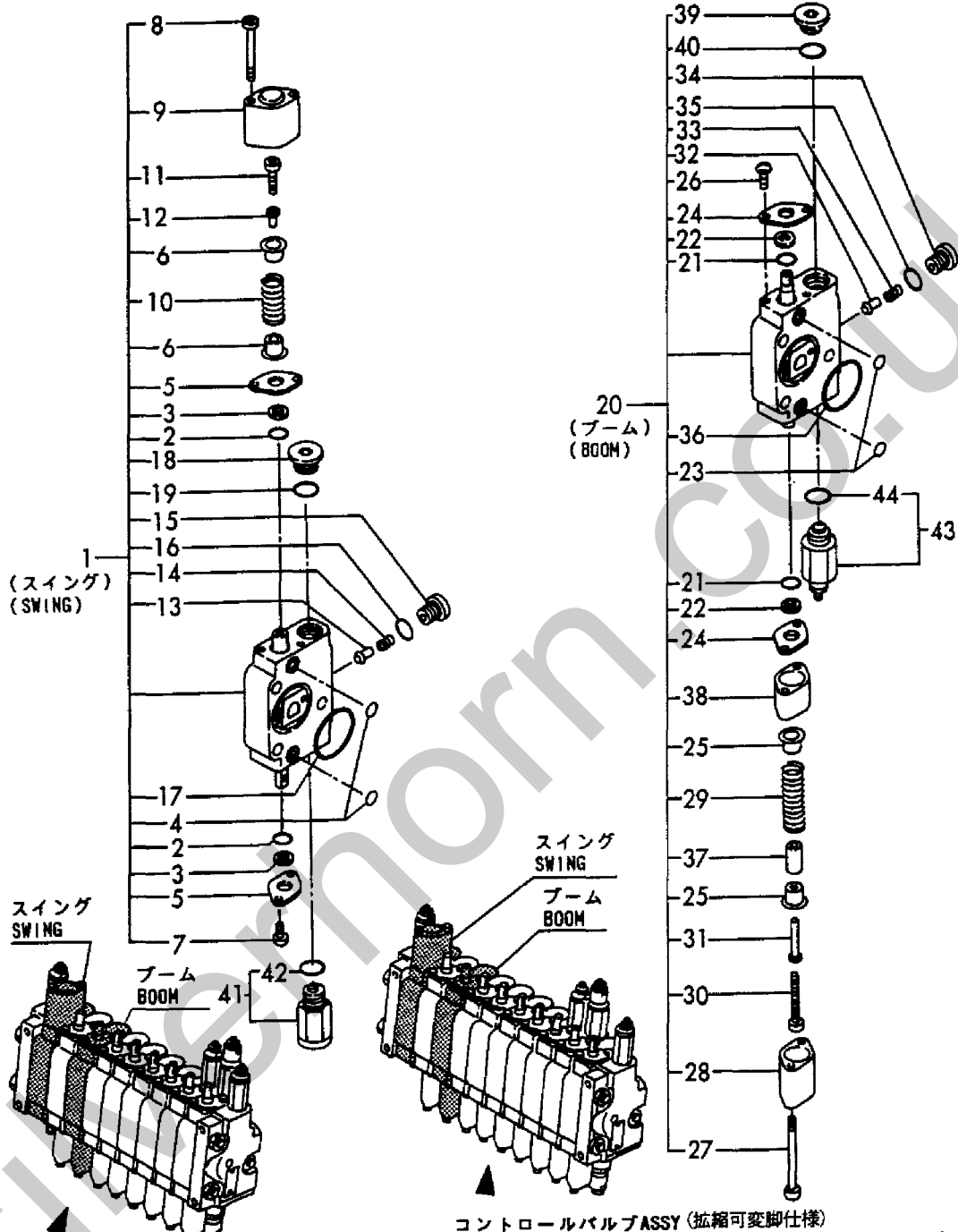
Fig. 43 Ref. No. 1~42

Fig. 44 Ref. No. 1~39

Fig. 45 Ref. No. 1~17

1,2,,172157-70730,, "SECTION ASSY, SWING",1,1,1,1,,,,,,,,,,,,,  
2,3,,24311-240100,, "O-RING 1A P-10A",2,2,2,2,,,,,,,,,,,,,  
3,3,,172157-70630,, "BAC UP RING",2,2,2,2,,,,,,,,,,,,,  
4,3,,24315-000100,, "O-RING 1B P-10.0",2,2,2,2,,,,,,,,,,,,,  
5,3,,172157-70640,, "PLATE, O-RING",2,2,2,2,,,,,,,,,,,,,  
6,3,,172157-70650,, "SEAT, SPRING",2,2,2,2,,,,,,,,,,,,,  
7,3,,26557-050102,, "SCREW M 5X 10",2,2,2,2,,,,,,,,,,,,,  
8,3,,26450-050452,, "BOLT M 5X 45",2,2,2,2,,,,,,,,,,,,,  
9,3,,172157-70660,, CAP,1,1,1,1,,,,,,,,,,,,,  
10,3,,172157-70670,, "SPRING, RETURN",1,1,1,1,,,,,,,,,,,,,  
11,3,,26450-050202,, "BOLT M 5X 20",1,1,1,1,,,,,,,,,,,,,  
12,3,,172157-70680,, SPACER,1,1,1,1,,,,,,,,,,,,,  
13,3,,172137-74520,, "VALVE, CHECK",1,1,1,1,,,,,,,,,,,,,  
14,3,,172157-70690,, SPRING,1,1,1,1,,,,,,,,,,,,,  
15,3,,172157-70700,, "SEAT, SPRING",1,1,1,1,,,,,,,,,,,,,  
16,3,,24315-000110,, "O-RING 1B P-11.0",1,1,1,1,,,,,,,,,,,,,  
17,3,,172157-70710,, O-RING,1,1,1,1,,,,,,,,,,,,,  
18,3,,172157-70720,, "PLUG PF3/8",1,1,1,1,,,,,,,,,,,,,  
19,3,,24315-000140,, "O-RING 1B P-14.0",1,1,1,1,,,,,,,,,,,,,  
20,2,,172157-70790,, "SECTION ASSY, BOOM",1,1,1,1,,,,,,,,,,,,,  
21,3,,24311-240100,, "O-RING 1A P-10A",2,2,2,2,,,,,,,,,,,,,  
22,3,,172157-70630,, "BAC UP RING",2,2,2,2,,,,,,,,,,,,,  
23,3,,24315-000100,, "O-RING 1B P-10.0",2,2,2,2,,,,,,,,,,,,,  
24,3,,172157-70640,, "PLATE, O-RING",2,2,2,2,,,,,,,,,,,,,  
25,3,,172157-70650,, "SEAT, SPRING",2,2,2,2,,,,,,,,,,,,,  
26,3,,26557-050102,, "SCREW M 5X 10",2,2,2,2,,,,,,,,,,,,,  
27,3,,26450-050652,, "BOLT M5X 65",2,2,2,2,,,,,,,,,,,,,  
28,3,,172157-70660,, CAP,1,1,1,1,,,,,,,,,,,,,  
29,3,,172157-70820,, "SPRING, RETURN",1,1,1,1,,,,,,,,,,,,,  
30,3,,26450-050402,, "BOLT M5X 40",1,1,1,1,,,,,,,,,,,,,  
31,3,,172157-70830,, SPACER,1,1,1,1,,,,,,,,,,,,,  
32,3,,172137-74520,, "VALVE, CHECK",1,1,1,1,,,,,,,,,,,,,  
33,3,,172157-70690,, SPRING,1,1,1,1,,,,,,,,,,,,,  
34,3,,172157-70700,, "SEAT, SPRING",1,1,1,1,,,,,,,,,,,,,  
35,3,,24315-000110,, "O-RING 1B P-11.0",1,1,1,1,,,,,,,,,,,,,  
36,3,,172157-70710,, O-RING,1,1,1,1,,,,,,,,,,,,,  
37,3,,172157-70840,, STOPPER,1,1,1,1,,,,,,,,,,,,,  
38,3,,172157-70850,, ADAPTER,1,1,1,1,,,,,,,,,,,,,  
39,3,,172157-70720,, "PLUG PF3/8",1,1,1,1,,,,,,,,,,,,,  
40,3,,24315-000140,, "O-RING 1B P-14.0",1,1,1,1,,,,,,,,,,,,,  
41,2,,172157-74310,, VALVE,1,1,1,1,,,,,,,,,,,,,  
42,3,,24315-000140,, "O-RING 1B P-14.0",1,1,1,1,,,,,,,,,,,,,  
43,2,,172157-74300,, "VALVE, RELIEF",1,1,1,1,,,,,,,,,,,,,  
44,3,,24315-000140,, "O-RING 1B P-14.0",1,1,1,1,,,,,,,,,,,,,

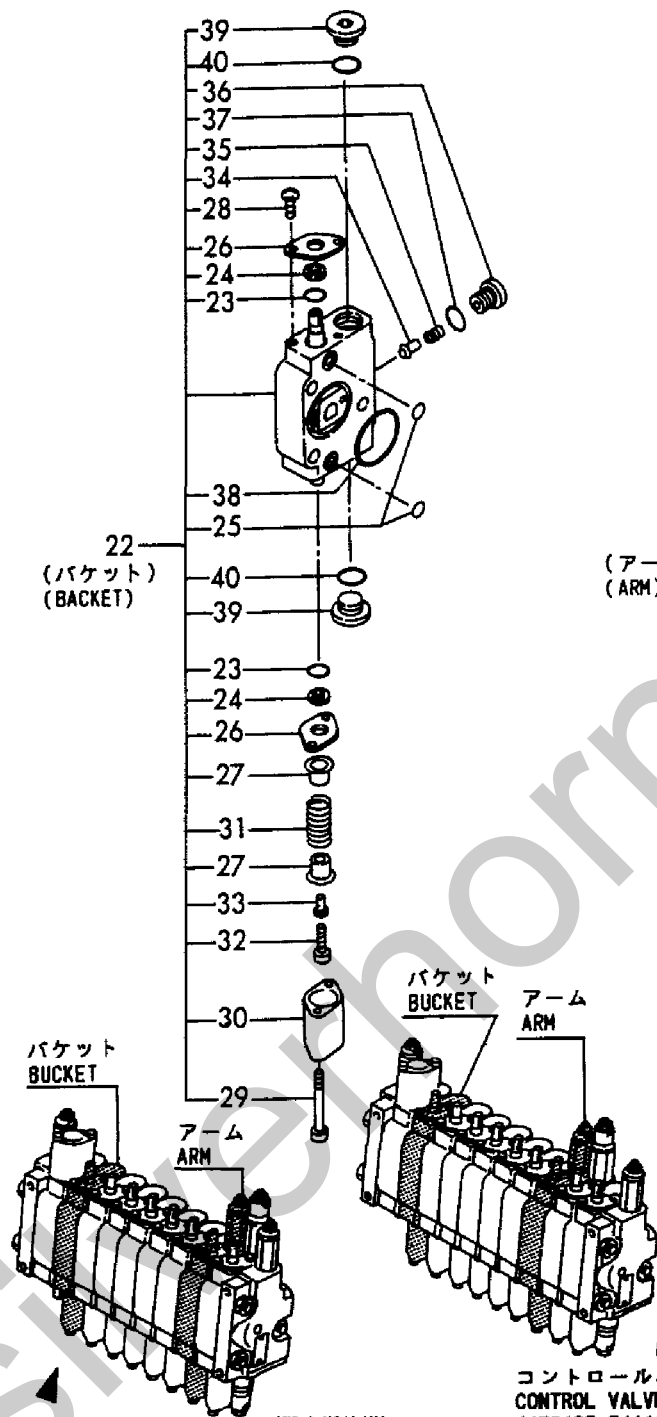




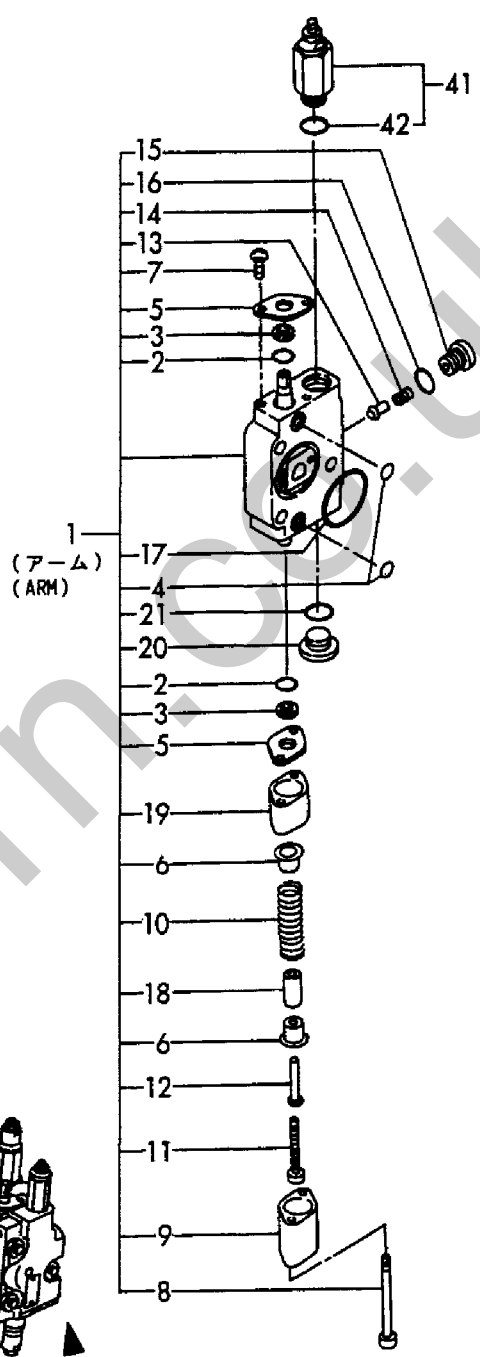
コントロールバルブ ASSY (固定脚仕様)  
 CONTROL VALVE ASSY (FIX LEG SPEC.)  
 (172157-74100)  
 項目 No. 40 の見出し No. 1A は  
 項目 No. 40 の見出し No. 2 から 18A と  
 項目 No. 41 の見出し No. 1 から 36 と  
 項目 No. 42 の見出し No. 1 から 44 と  
 項目 No. 43 の見出し No. 1 から 42 と  
 項目 No. 44 の見出し No. 1 から 39 を含みます。  
 Fig. 40 Ref. No. 1A  
 INC. Fig. 40 Ref. No. 2~18A  
 Fig. 41 Ref. No. 1~36  
 Fig. 42 Ref. No. 1~44  
 Fig. 43 Ref. No. 1~42  
 Fig. 44 Ref. No. 1~39

コントロールバルブ ASSY (拡張可変脚仕様)  
 CONTROL VALVE ASSY (WIDEN/SHORTEN VARIABLE LEG SPEC.)  
 (172157-74110)  
 項目 No. 40 の見出し No. 1B は  
 項目 No. 40 の見出し No. 2 から 18B と  
 項目 No. 41 の見出し No. 1 から 36 と  
 項目 No. 42 の見出し No. 1 から 44 と  
 項目 No. 43 の見出し No. 1 から 42 と  
 項目 No. 44 の見出し No. 1 から 39 と  
 項目 No. 45 の見出し No. 1 から 17 を含みます。  
 Fig. 40 Ref. No. 1B  
 INC. Fig. 40 Ref. No. 2~18B  
 Fig. 41 Ref. No. 1~36  
 Fig. 42 Ref. No. 1~44  
 Fig. 43 Ref. No. 1~42  
 Fig. 44 Ref. No. 1~39  
 Fig. 45 Ref. No. 1~17

1,2,,172157-70980,, "SECTION ASSY, ARM",1,1,1,1,,,,,,,,,,,,,  
2,3,,24311-240100,, "O-RING 1A P-10A",2,2,2,2,,,,,,,,,,,,,  
3,3,,172157-70630,, "BAC UP RING",2,2,2,2,,,,,,,,,,,,,  
4,3,,24315-000100,, "O-RING 1B P-10.0",2,2,2,2,,,,,,,,,,,,,  
5,3,,172157-70640,, "PLATE, O-RING",2,2,2,2,,,,,,,,,,,,,  
6,3,,172157-70650,, "SEAT, SPRING",2,2,2,2,,,,,,,,,,,,,  
7,3,,26557-050102,, "SCREW M 5X 10",2,2,2,2,,,,,,,,,,,,,  
8,3,,26450-050652,, "BOLT M5X 65",2,2,2,2,,,,,,,,,,,,,  
9,3,,172157-70660,, CAP,1,1,1,1,,,,,,,,,,,,,  
10,3,,172157-70820,, "SPRING, RETURN",1,1,1,1,,,,,,,,,,,,,  
11,3,,26450-050402,, "BOLT M5X 40",1,1,1,1,,,,,,,,,,,,,  
12,3,,172157-70830,, SPACER,1,1,1,1,,,,,,,,,,,,,  
13,3,,172137-74520,, "VALVE, CHECK",1,1,1,1,,,,,,,,,,,,,  
14,3,,172157-70690,, SPRING,1,1,1,1,,,,,,,,,,,,,  
15,3,,172157-70700,, "SEAT, SPRING",1,1,1,1,,,,,,,,,,,,,  
16,3,,24315-000110,, "O-RING 1B P-11.0",1,1,1,1,,,,,,,,,,,,,  
17,3,,172157-70710,, O-RING,1,1,1,1,,,,,,,,,,,,,  
18,3,,172157-70840,, STOPPER,1,1,1,1,,,,,,,,,,,,,  
19,3,,172157-70850,, ADAPTER,1,1,1,1,,,,,,,,,,,,,  
20,2,,172157-70720,, "PLUG PF3/8",1,1,1,1,,,,,,,,,,,,,  
21,3,,24315-000140,, "O-RING 1B P-14.0",1,1,1,1,,,,,,,,,,,,,  
22,2,,172157-70740,, "SECTION ASSY, BUCKET",1,1,1,1,,,,,,,,,,,,,  
23,3,,24311-240100,, "O-RING 1A P-10A",2,2,2,2,,,,,,,,,,,,,  
24,3,,172157-70630,, "BAC UP RING",2,2,2,2,,,,,,,,,,,,,  
25,3,,24315-000100,, "O-RING 1B P-10.0",2,2,2,2,,,,,,,,,,,,,  
26,3,,172157-70640,, "PLATE, O-RING",2,2,2,2,,,,,,,,,,,,,  
27,3,,172157-70650,, "SEAT, SPRING",2,2,2,2,,,,,,,,,,,,,  
28,3,,26557-050122,, "SCREW M 5X 12",2,2,2,2,,,,,,,,,,,,,  
29,3,,26450-050452,, "BOLT M 5X 45",2,2,2,2,,,,,,,,,,,,,  
30,3,,172157-70660,, CAP,1,1,1,1,,,,,,,,,,,,,  
31,3,,172157-70780,, "SPRING, RETURN",1,1,1,1,,,,,,,,,,,,,  
32,3,,26450-050202,, "BOLT M 5X 20",1,1,1,1,,,,,,,,,,,,,  
33,3,,172157-70680,, SPACER,1,1,1,1,,,,,,,,,,,,,  
34,3,,172137-74520,, "VALVE, CHECK",1,1,1,1,,,,,,,,,,,,,  
35,3,,172157-70690,, SPRING,1,1,1,1,,,,,,,,,,,,,  
36,3,,172157-70700,, "SEAT, SPRING",1,1,1,1,,,,,,,,,,,,,  
37,3,,24315-000110,, "O-RING 1B P-11.0",1,1,1,1,,,,,,,,,,,,,  
38,3,,172157-70710,, O-RING,1,1,1,1,,,,,,,,,,,,,  
39,3,,172157-70720,, "PLUG PF3/8",2,2,2,2,,,,,,,,,,,,,  
40,3,,24315-000140,, "O-RING 1B P-14.0",2,2,2,2,,,,,,,,,,,,,  
41,2,,172157-74300,, "VALVE, RELIEF",1,1,1,1,,,,,,,,,,,,,  
42,3,,24315-000140,, "O-RING 1B P-14.0",1,1,1,1,,,,,,,,,,,,,



コントロールバルブASSY (固定脚仕様)  
 CONTROL VALVE ASSY (FIX LEG SPEC.)  
 (172157-74100)  
 項目No. 40の見出しNo. 1Aは  
 項目No. 40の見出しNo. 2から18Aと  
 項目No. 41の見出しNo. 1から36と  
 項目No. 42の見出しNo. 1から44と  
 項目No. 43の見出しNo. 1から42と  
 項目No. 44の見出しNo. 1から39を含みます。  
 Fig. 40 Ref. No. 1A  
 INC. Fig. 40 Ref. No. 2~18A  
 Fig. 41 Ref. No. 1~36  
 Fig. 42 Ref. No. 1~44  
 Fig. 43 Ref. No. 1~42  
 Fig. 44 Ref. No. 1~39

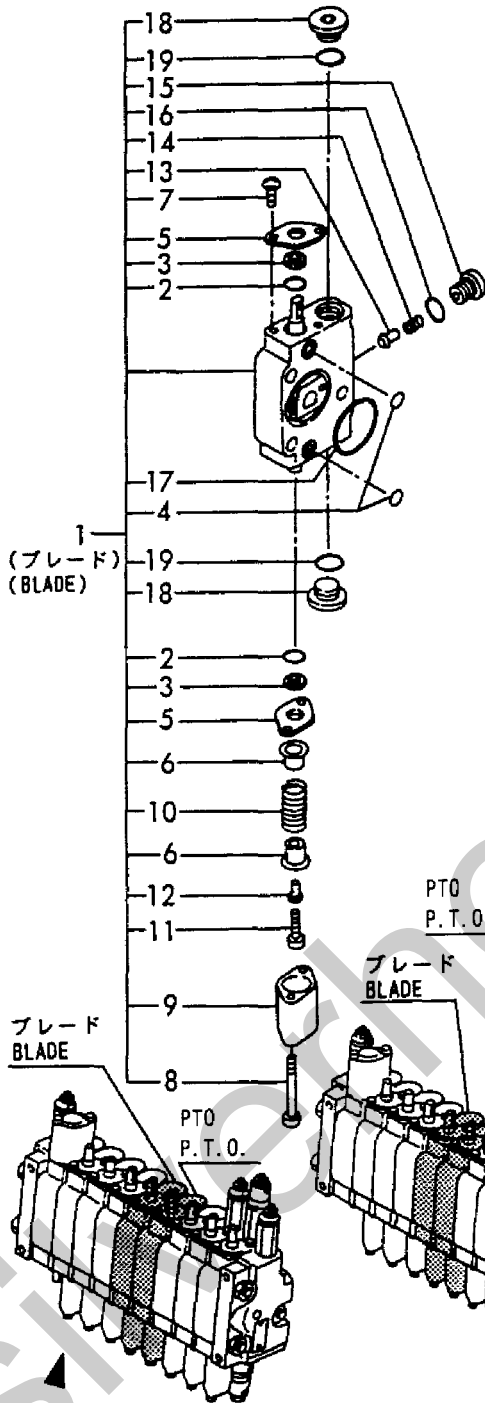


コントロールバルブASSY (拡張可変脚仕様)  
 CONTROL VALVE ASSY (WIDEN/SHORTEN VARIABLE LEG SPEC.)  
 (172157-74110)  
 項目No. 40の見出しNo. 1Bは  
 項目No. 40の見出しNo. 2から18Bと  
 項目No. 41の見出しNo. 1から36と  
 項目No. 42の見出しNo. 1から44と  
 項目No. 43の見出しNo. 1から42と  
 項目No. 44の見出しNo. 1から39と  
 項目No. 45の見出しNo. 1から17を含みます。  
 Fig. 40 Ref. No. 1B  
 INC. Fig. 40 Ref. No. 2~18B  
 Fig. 41 Ref. No. 1~36  
 Fig. 42 Ref. No. 1~44  
 Fig. 43 Ref. No. 1~42  
 Fig. 44 Ref. No. 1~39  
 Fig. 45 Ref. No. 1~17



1,2,,172157-70890,,"SECTION ASSY, BLADE",1,1,1,1,,,,,,,,,,,,,  
2,3,,24311-240100,,"O-RING 1A P-10A",2,2,2,2,,,,,,,,,,,,,  
3,3,,172157-70630,,"BAC UP RING",2,2,2,2,,,,,,,,,,,,,  
4,3,,24315-000100,,"O-RING 1B P-10.0",2,2,2,2,,,,,,,,,,,,,  
5,3,,172157-70640,,"PLATE, O-RING",2,2,2,2,,,,,,,,,,,,,  
6,3,,172157-70650,,"SEAT, SPRING",2,2,2,2,,,,,,,,,,,,,  
7,3,,26557-050102,,"SCREW M 5X 10",2,2,2,2,,,,,,,,,,,,,  
8,3,,26450-050452,,"BOLT M 5X 45",2,2,2,2,,,,,,,,,,,,,  
9,3,,172157-70660,,"CAP",1,1,1,1,,,,,,,,,,,,,  
10,3,,172157-70780,,"SPRING, RETURN",1,1,1,1,,,,,,,,,,,,,  
11,3,,26450-050202,,"BOLT M 5X 20",1,1,1,1,,,,,,,,,,,,,  
12,3,,172157-70680,,"SPACER",1,1,1,1,,,,,,,,,,,,,  
13,3,,172137-74520,,"VALVE, CHECK",1,1,1,1,,,,,,,,,,,,,  
14,3,,172157-70690,,"SPRING",1,1,1,1,,,,,,,,,,,,,  
15,3,,172157-70700,,"SEAT, SPRING",1,1,1,1,,,,,,,,,,,,,  
16,3,,24315-000110,,"O-RING 1B P-11.0",1,1,1,1,,,,,,,,,,,,,  
17,3,,172157-70710,,"O-RING",1,1,1,1,,,,,,,,,,,,,  
18,3,,172157-70720,,"PLUG PF3/8",2,2,2,2,,,,,,,,,,,,,  
19,3,,24315-000140,,"O-RING 1B P-14.0",2,2,2,2,,,,,,,,,,,,,  
20,2,,172157-70930,,"SECTION ASSY, P.T.O.",1,1,1,1,,,,,,,,,,,,,  
21,3,,24311-240100,,"O-RING 1A P-10A",2,2,2,2,,,,,,,,,,,,,  
22,2,,172157-70630,,"BAC UP RING",2,2,2,2,,,,,,,,,,,,,  
23,3,,24315-000100,,"O-RING 1B P-10.0",2,2,2,2,,,,,,,,,,,,,  
24,3,,172157-70640,,"PLATE, O-RING",2,2,2,2,,,,,,,,,,,,,  
25,3,,172157-70650,,"SEAT, SPRING",2,2,2,2,,,,,,,,,,,,,  
26,3,,26557-050102,,"SCREW M 5X 10",2,2,2,2,,,,,,,,,,,,,  
27,3,,26450-050452,,"BOLT M 5X 45",2,2,2,2,,,,,,,,,,,,,  
28,3,,172157-70660,,"CAP",1,1,1,1,,,,,,,,,,,,,  
29,3,,172157-70780,,"SPRING, RETURN",1,1,1,1,,,,,,,,,,,,,  
30,3,,26450-050202,,"BOLT M 5X 20",1,1,1,1,,,,,,,,,,,,,  
31,3,,172157-70680,,"SPACER",1,1,1,1,,,,,,,,,,,,,  
32,3,,172157-74520,,"VALVE",1,1,1,1,,,,,,,,,,,,,  
33,3,,172157-70690,,"SPRING",1,1,1,1,,,,,,,,,,,,,  
34,3,,172157-70700,,"SEAT, SPRING",1,1,1,1,,,,,,,,,,,,,  
35,3,,24315-000110,,"O-RING 1B P-11.0",3,3,3,3,,,,,,,,,,,,,  
36,3,,172157-70710,,"O-RING",1,1,1,1,,,,,,,,,,,,,  
37,3,,172157-70720,,"PLUG PF3/8",2,2,2,2,,,,,,,,,,,,,  
38,3,,24315-000140,,"O-RING 1B P-14.0",2,2,2,2,,,,,,,,,,,,,  
39,3,,172157-70970,,"PLUG PF1/4",2,2,2,2,,,,,,,,,,,,,



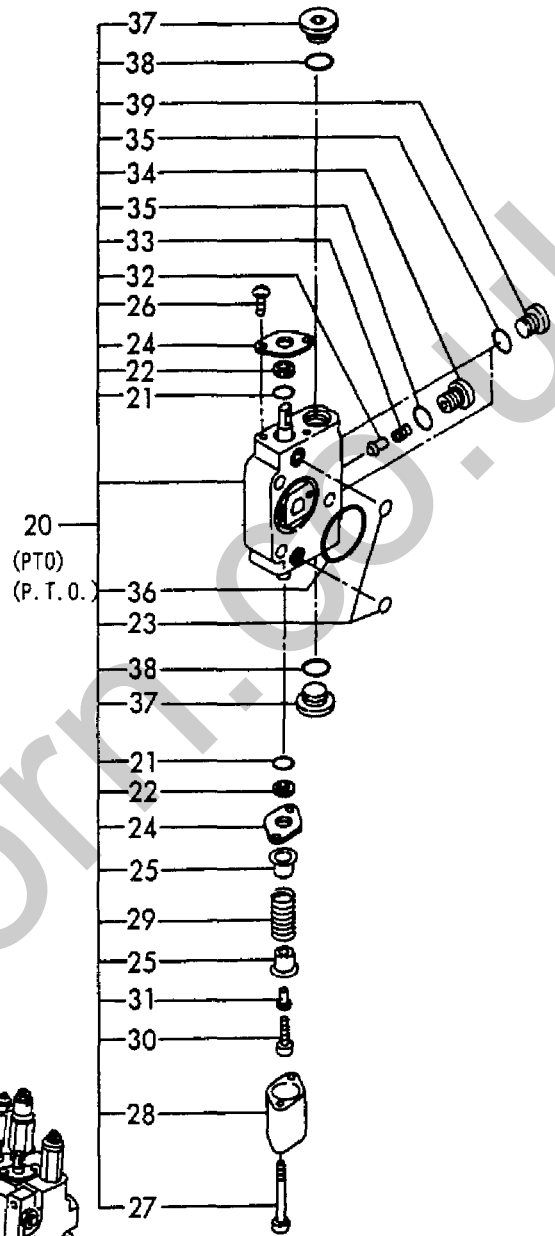


コントロールバルブASSY (固定脚仕様)  
CONTROL VALVE ASSY (FIX LEG SPEC.)  
(172157-74100)

項目No. 40の見出しNo. 1Aは  
項目No. 40の見出しNo. 2から18Aと  
項目No. 41の見出しNo. 1から36と  
項目No. 42の見出しNo. 1から44と  
項目No. 43の見出しNo. 1から42と  
項目No. 44の見出しNo. 1から39を含みます。

Fig. 40 Ref. No. 1A

INC. Fig. 40 Ref. No. 2~18A  
Fig. 41 Ref. No. 1~36  
Fig. 42 Ref. No. 1~44  
Fig. 43 Ref. No. 1~42  
Fig. 44 Ref. No. 1~39



コントロールバルブASSY (拡張可変脚仕様)  
CONTROL VALVE ASSY (WIDEN/SHORTEN VARIABLE LEG SPEC.)  
(172157-74110)

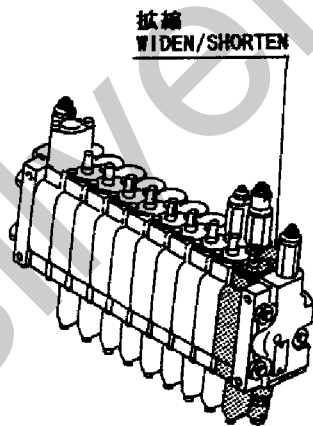
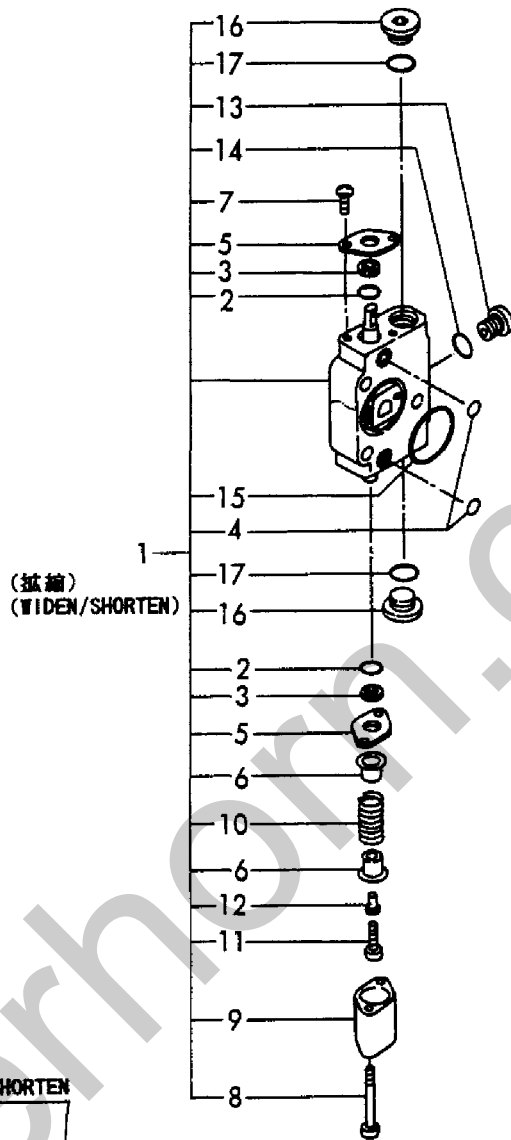
項目No. 40の見出しNo. 1Bは  
項目No. 40の見出しNo. 2から18Bと  
項目No. 41の見出しNo. 1から36と  
項目No. 42の見出しNo. 1から44と  
項目No. 43の見出しNo. 1から42と  
項目No. 44の見出しNo. 1から39と  
項目No. 45の見出しNo. 1から17を含みます。

Fig. 40 Ref. No. 1B

INC. Fig. 40 Ref. No. 2~18B  
Fig. 41 Ref. No. 1~36  
Fig. 42 Ref. No. 1~44  
Fig. 43 Ref. No. 1~42  
Fig. 44 Ref. No. 1~39  
Fig. 45 Ref. No. 1~17

1,2,,172157-70860,, "SECTION ASSY, DRIV.",1,,1,1,,,,,,,,,,,,,  
2,3,,24311-240100,, "O-RING 1A P-10A",2,,2,2,,,,,,,,,,,,,  
3,3,,172157-70630,, "BAC UP RING",2,,2,2,,,,,,,,,,,,,  
4,3,,24315-000100,, "O-RING 1B P-10.0",2,,2,2,,,,,,,,,,,,,  
5,3,,172157-70640,, "PLATE, O-RING",2,,2,2,,,,,,,,,,,,,  
6,3,,172157-70650,, "SEAT, SPRING",2,,2,2,,,,,,,,,,,,,  
7,3,,26557-050102,, "SCREW M 5X 10",2,,2,2,,,,,,,,,,,,,  
8,3,,26450-050452,, "BOLT M 5X 45",2,,2,2,,,,,,,,,,,,,  
9,3,,172157-70660,, CAP,1,,1,1,,,,,,,,,,,,,  
10,3,,172157-70670,, "SPRING, RETURN",1,,1,1,,,,,,,,,,,,,  
11,3,,26450-050202,, "BOLT M 5X 20",1,,1,1,,,,,,,,,,,,,  
12,3,,172157-70680,, SPACER,1,,1,1,,,,,,,,,,,,,  
13,3,,172157-70700,, "SEAT, SPRING",1,,1,1,,,,,,,,,,,,,  
14,3,,24315-000110,, "O-RING 1B P-11.0",1,,1,1,,,,,,,,,,,,,  
15,3,,172157-70710,, O-RING,1,,1,1,,,,,,,,,,,,,  
16,3,,172157-70720,, "PLUG PF3/8",2,,2,2,,,,,,,,,,,,,  
17,3,,24315-000140,, "O-RING 1B P-14.0",2,,2,2,,,,,,,,,,,,,

Silverhorn.CO.UK



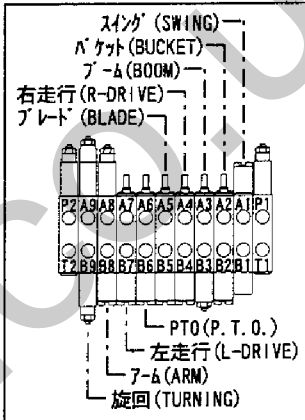
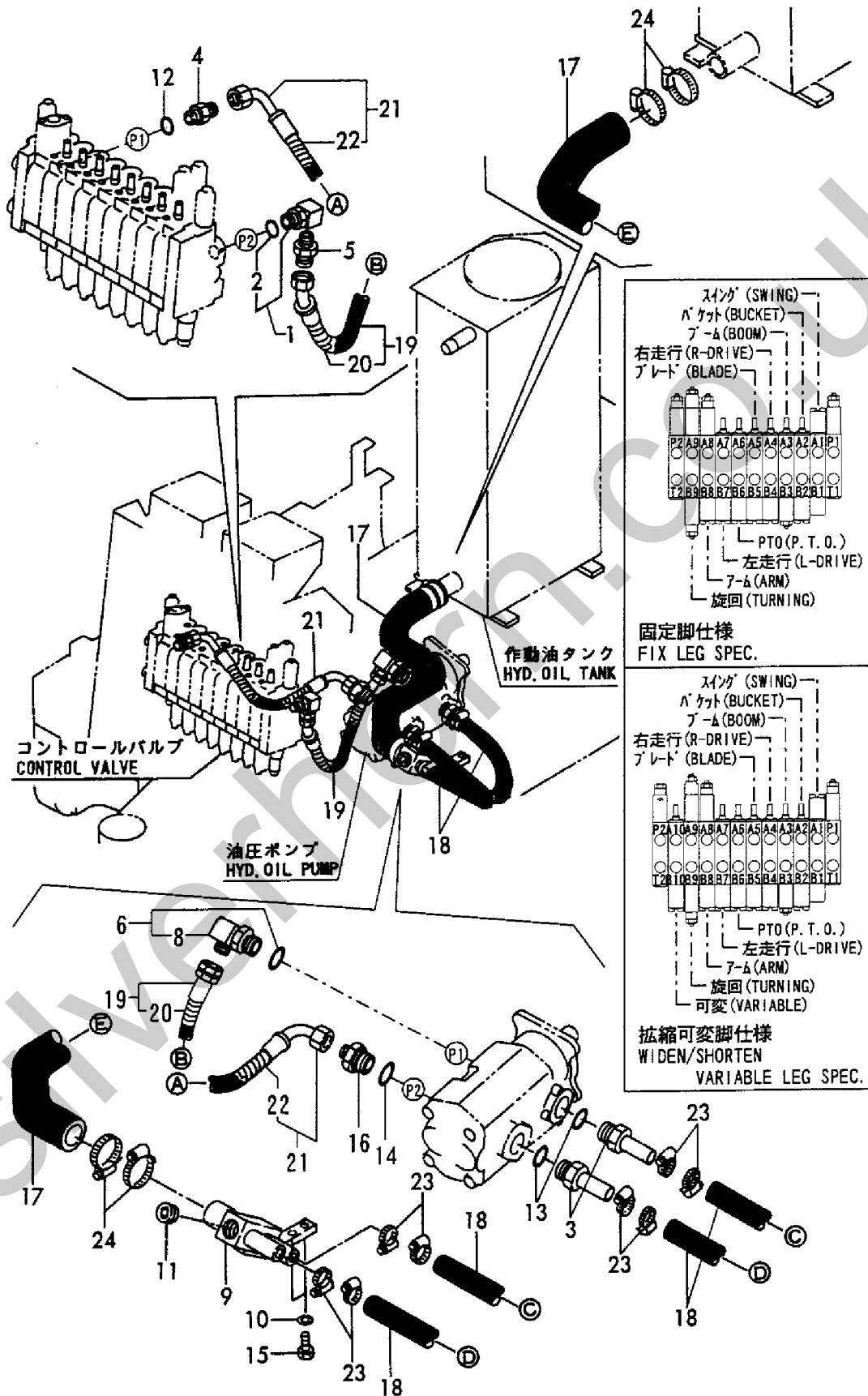
コントロールバルブASSY (拡縮可変脚仕様)  
 CONTROL VALVE ASSY (WIDEN/SHORTEN VARIABLE LEG SPEC.)  
 (172157-74110)

- ▲ 項目No. 40の見出しNo. 1Bは
- 項目No. 40の見出しNo. 2から18Bと
- 項目No. 41の見出しNo. 1から36と
- 項目No. 42の見出しNo. 1から44と
- 項目No. 43の見出しNo. 1から42と
- 項目No. 44の見出しNo. 1から39と
- 項目No. 45の見出しNo. 1から17を含みます。

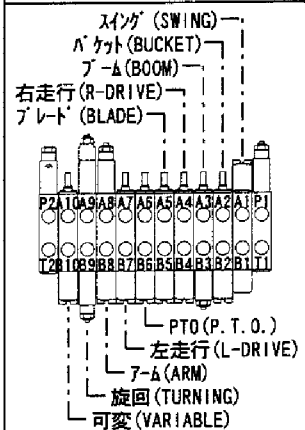
- Fig. 40 Ref. No. 1B
- INC. Fig. 40 Ref. No. 2~18B
- Fig. 41 Ref. No. 1~36
- Fig. 42 Ref. No. 1~44
- Fig. 43 Ref. No. 1~42
- Fig. 44 Ref. No. 1~39
- Fig. 45 Ref. No. 1~17

1,1,,172137-76100,, "ELBOW PF1/4",1,1,1,1,,,,,,,,,,,,,  
 2,2,,24315-000110,, "O-RING 1B P-11.0",1,1,1,1,,,,,,,,,,,,,  
 3,1,,172157-76130,, "JOINT PF1/2",2,2,2,2,,,,,,,,,,,,,  
 4,1,,172157-76220,, "CONNECTOR 1/4-3/8",1,1,1,1,,,,,,,,,,,,,  
 5,1,,172312-76240,, "NIPPLE 1/4-3/8",1,1,1,1,,,,,,,,,,,,,  
 6,1,,172157-76300,, "ELBOW 3/8-1/2",1,1,1,1,,,,,,,,,,,,,  
 8,2,,24315-000180,, "O-RING 1B P-18.0",1,1,1,1,,,,,,,,,,,,,  
 9,1,,172157-76350,, "JOINT",1,1,1,1,,,,,,,,,,,,,  
 10,1,,22217-080000,, "SPRING WASHER 8",2,2,2,2,,,,,,,,,,,,,  
 11,1,,23871-040000,, "PLUG PT1/2,SCREW",1,1,1,1,,,,,,,,,,,,,  
 12,1,,24315-000110,, "O-RING 1B P-11.0",1,1,1,1,,,,,,,,,,,,,  
 13,1,,24315-000180,, "O-RING 1B P-18.0",2,2,2,2,,,,,,,,,,,,,  
 14,1,,24315-000180,, "O-RING 1B P-18.0",1,1,1,1,,,,,,,,,,,,,  
 15,1,,26116-080202,, "BOLT M 8X 20 PLATED",2,2,2,2,,,,,,,,,,,,,  
 16,1,,933160-01370,, "CONNECTOR PF1/2-3/8",1,1,1,1,,,,,,,,,,,,,  
 17,1,,172157-78231,, "HOSE",1,1,1,1,,,,,,,,,,,,,  
 18,1,,172157-78241,, "HOSE",2,2,2,2,,,,,,,,,,,,,  
 19,1,,172157-78360,, "HOSE",1,1,1,1,,,,,,,,,,,,,  
 20,2,,172157-78010,, "TUBE, SPIRAL",1,1,1,1,,,,,,,,,,,,,  
 21,1,,172157-78460,, "HOSE",1,1,1,1,,,,,,,,,,,,,  
 22,2,,172157-78010,, "TUBE, SPIRAL",1,1,1,1,,,,,,,,,,,,,  
 23,1,,23000-025000,, "CLAMP 25",8,8,8,8,,,,,,,,,,,,,  
 24,1,,23000-048000,, "CLAMP 48",4,4,4,4,,,,,,,,,,,,,

Silverhorn.CO.UK



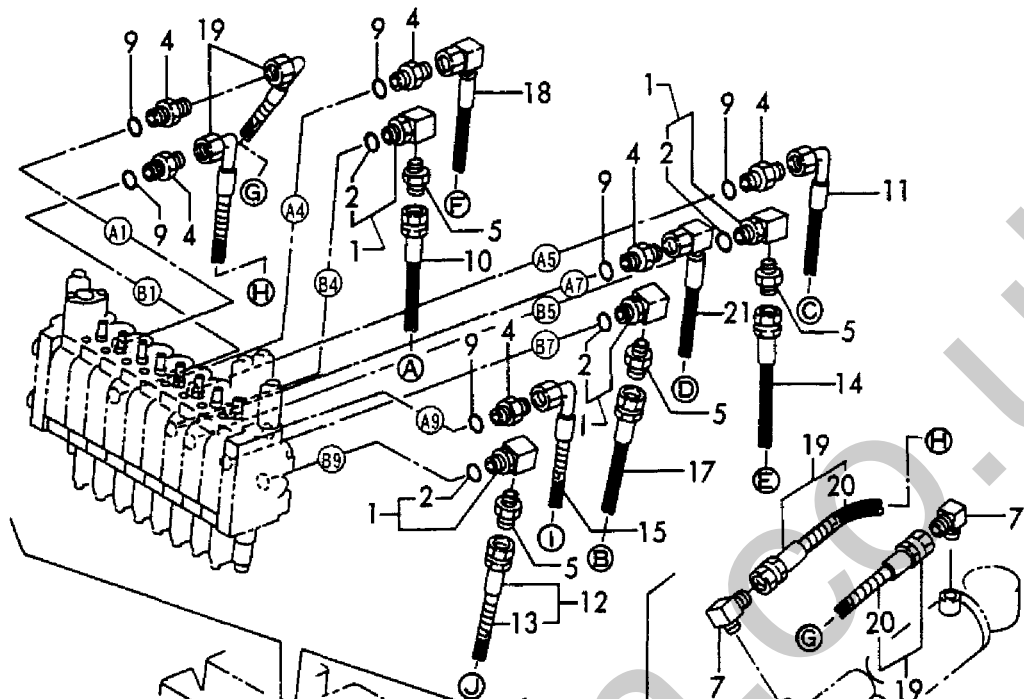
固定脚仕様  
 FIX LEG SPEC.



拡張可変脚仕様  
 WIDEN/SHORTEN  
 VARIABLE LEG SPEC.

1,1,,172137-76100,, "ELBOW PF1/4",4,4,4,4,,,,,,,,,,,,,  
2,2,,24315-000110,, "O-RING 1B P-11.0",4,4,4,4,,,,,,,,,,,,,  
3,1,,172157-76110,, "CONNECTOR 1/4X1/2",2,2,2,2,,,,,,,,,,,,,  
4,1,,172123-76120,, "CONNECTOR PF1/4",6,6,6,6,,,,,,,,,,,,,  
5,1,,23391-020000,, "JOINT RGI1/4",4,4,4,4,,,,,,,,,,,,,  
6,1,,23393-020000,, "JOINT 90RGI1/4",5,5,5,5,,,,,,,,,,,,,  
7,1,,23393-020000,, "JOINT 90RGI1/4",2,2,2,2,,,,,,,,,,,,,  
8,1,,23394-020000,, "JOINT 45RGI1/4",1,1,1,1,,,,,,,,,,,,,  
9,1,,24315-000110,, "O-RING 1B P-11.0",6,6,6,6,,,,,,,,,,,,,  
10,1,,172157-78371,, HOSE,1,1,1,1,,,,,,,,,,,,,  
11,1,,172157-78380,, HOSE,1,1,1,1,,,,,,,,,,,,,  
12,1,,172157-78170,, HOSE,1,1,1,1,,,,,,,,,,,,,  
13,2,,172157-78020,, "TUBE, SPIRAL",1,1,1,1,,,,,,,,,,,,,  
14,1,,23271-020305,, HOSE,1,1,1,1,,,,,,,,,,,,,  
15,1,,172156-78560,, HOSE,1,1,1,1,,,,,,,,,,,,,  
16,2,,172312-78700,, "TUBE, SPIRAL",1,1,1,1,,,,,,,,,,,,,  
17,1,,23271-020374,, HOSE,1,1,1,1,,,,,,,,,,,,,  
18,1,,172157-78760,, HOSE,1,1,1,1,,,,,,,,,,,,,  
19,1,,172157-78180,, HOSE,2,2,2,2,,,,,,,,,,,,,  
20,2,,172157-78040,, "TUBE, SPIRAL",2,2,2,2,,,,,,,,,,,,,  
21,1,,172157-78750,, HOSE,1,1,1,1,,,,,,,,,,,,,

Silverhorn.CO.UK

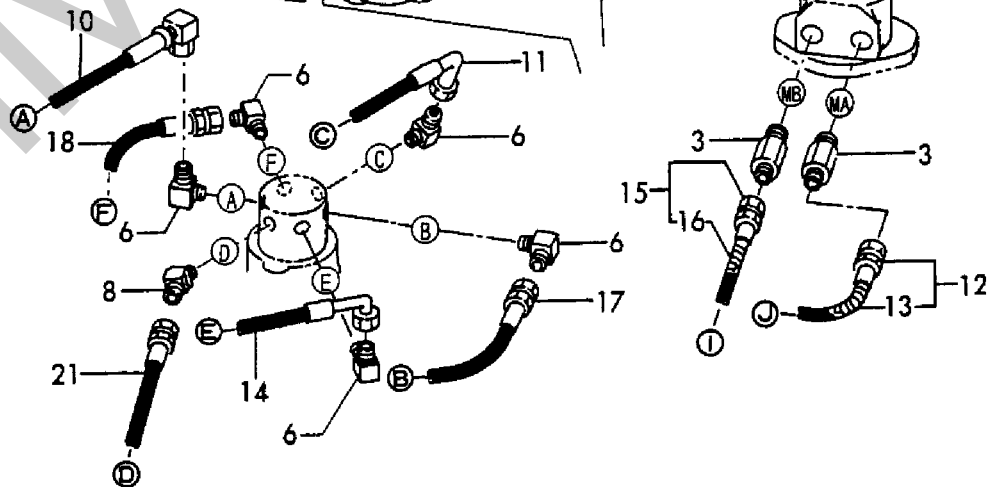


コントロールバルブ  
CONTROL VALVE

旋回モータ  
TURNING MOTOR

スイングシリンダ  
SWING CYLINDER

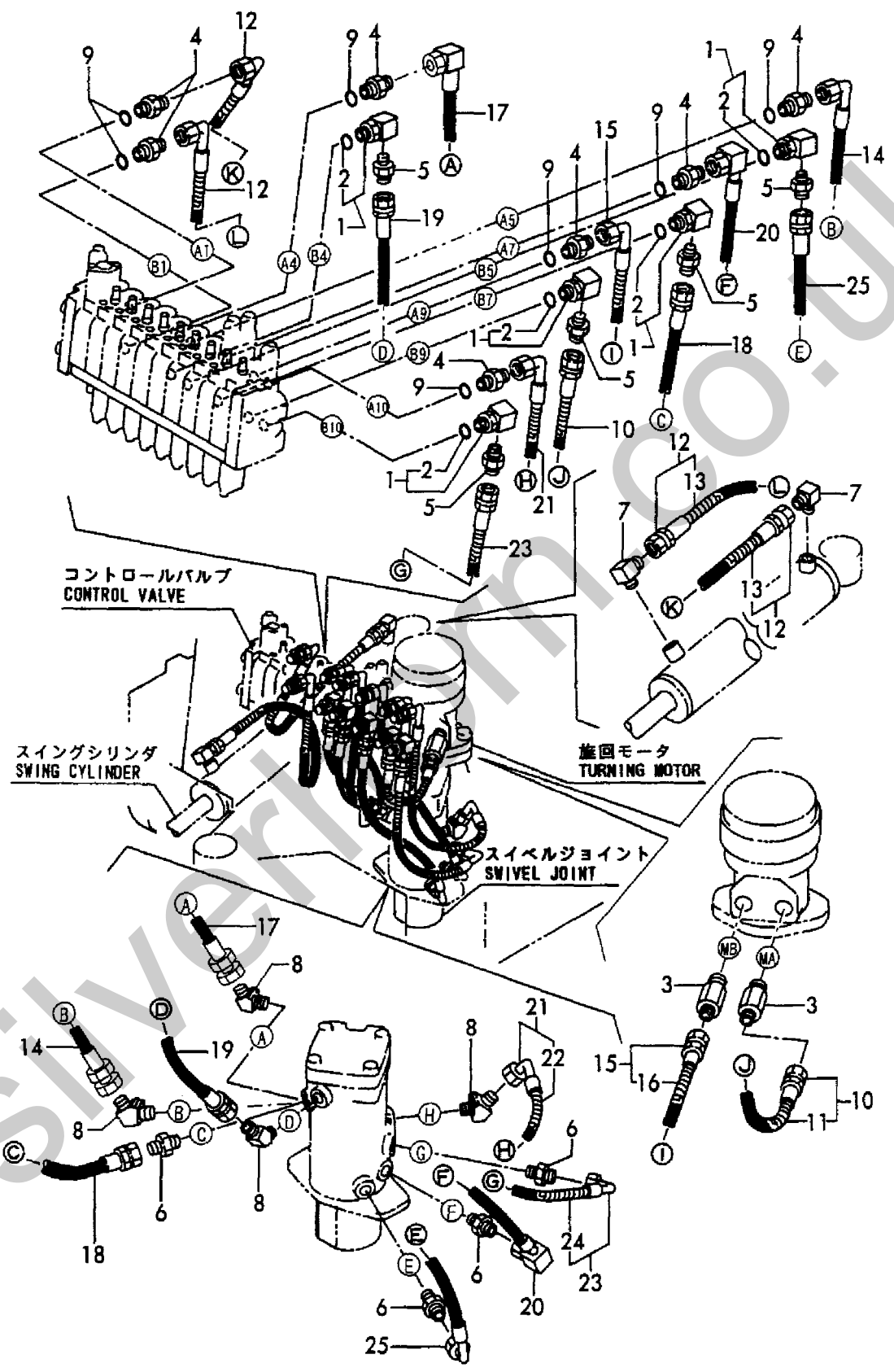
スィベルジョイント  
SWIVEL JOINT





1,1,,172137-76100,, "ELBOW PF1/4",5,,5,5,,,,,,,,,,,,,  
2,2,,24315-000110,, "O-RING 1B P-11.0",5,,5,5,,,,,,,,,,,,,  
3,1,,172157-76110,, "CONNECTOR 1/4X1/2",2,,2,2,,,,,,,,,,,,,  
4,1,,172123-76120,, "CONNECTOR PF1/4",7,,7,7,,,,,,,,,,,,,  
5,1,,23391-020000,, "JOINT RGI1/4",5,,5,5,,,,,,,,,,,,,  
6,1,,23391-020000,, "JOINT RGI1/4",4,,4,4,,,,,,,,,,,,,  
7,1,,23393-020000,, "JOINT 90RGI1/4",2,,2,2,,,,,,,,,,,,,  
8,1,,23394-020000,, "JOINT 45RGI1/4",4,,4,4,,,,,,,,,,,,,  
9,1,,24315-000110,, "O-RING 1B P-11.0",7,,7,7,,,,,,,,,,,,,  
10,1,,172157-78170,, HOSE,1,,1,1,,,,,,,,,,,,,  
11,2,,172157-78020,, "TUBE, SPIRAL",1,,1,1,,,,,,,,,,,,,  
12,1,,172157-78180,, HOSE,2,,2,2,,,,,,,,,,,,,  
13,2,,172157-78040,, "TUBE, SPIRAL",2,,2,2,,,,,,,,,,,,,  
14,1,,23271-030335,, HOSE,1,,,,,,,,,M,,,,,,,,,,,,,  
14-1,1,,172157-78371,, HOSE,1,,,,,,,,,M,,,,,,,,,,,,,  
14-2,1,,23271-020355,, HOSE,1,,1,1,,N,M,72157123,M/#00609,,,,,,,,,,,,,  
14-3,1,,23271-020335,, HOSE,1,,1,1,,N,,72157123,M/#00609,,,,,,,,,,,,,  
15,1,,172156-78560,, HOSE,1,,1,1,,,,,,,,,,,,,  
16,2,,172312-78700,, "TUBE, SPIRAL",1,,1,1,,,,,,,,,,,,,  
17,1,,172157-78760,, HOSE,1,,1,1,,,,,,,,,,,,,  
18,1,,23271-020334,, HOSE,1,,1,1,,,,,,,,,,,,,  
19,1,,172157-78670,, HOSE,1,,1,1,,,,,,,,,,,,,  
20,1,,172157-78681,, HOSE,1,,1,1,,,,,,,,,,,,,  
21,1,,172157-78690,, HOSE,1,,1,1,,,,,,,,,,,,,  
22,2,,172312-78370,, "TUBE, SPIRAL",1,,1,1,,,,,,,,,,,,,  
23,1,,172157-78720,, HOSE,1,,1,1,,,,,,,,,,,,,  
24,2,,172157-78730,, "TUBE, SPIRAL",1,,1,1,,,,,,,,,,,,,  
25,1,,23271-020355,, HOSE,1,,1,1,,,,,,,,,,,,,

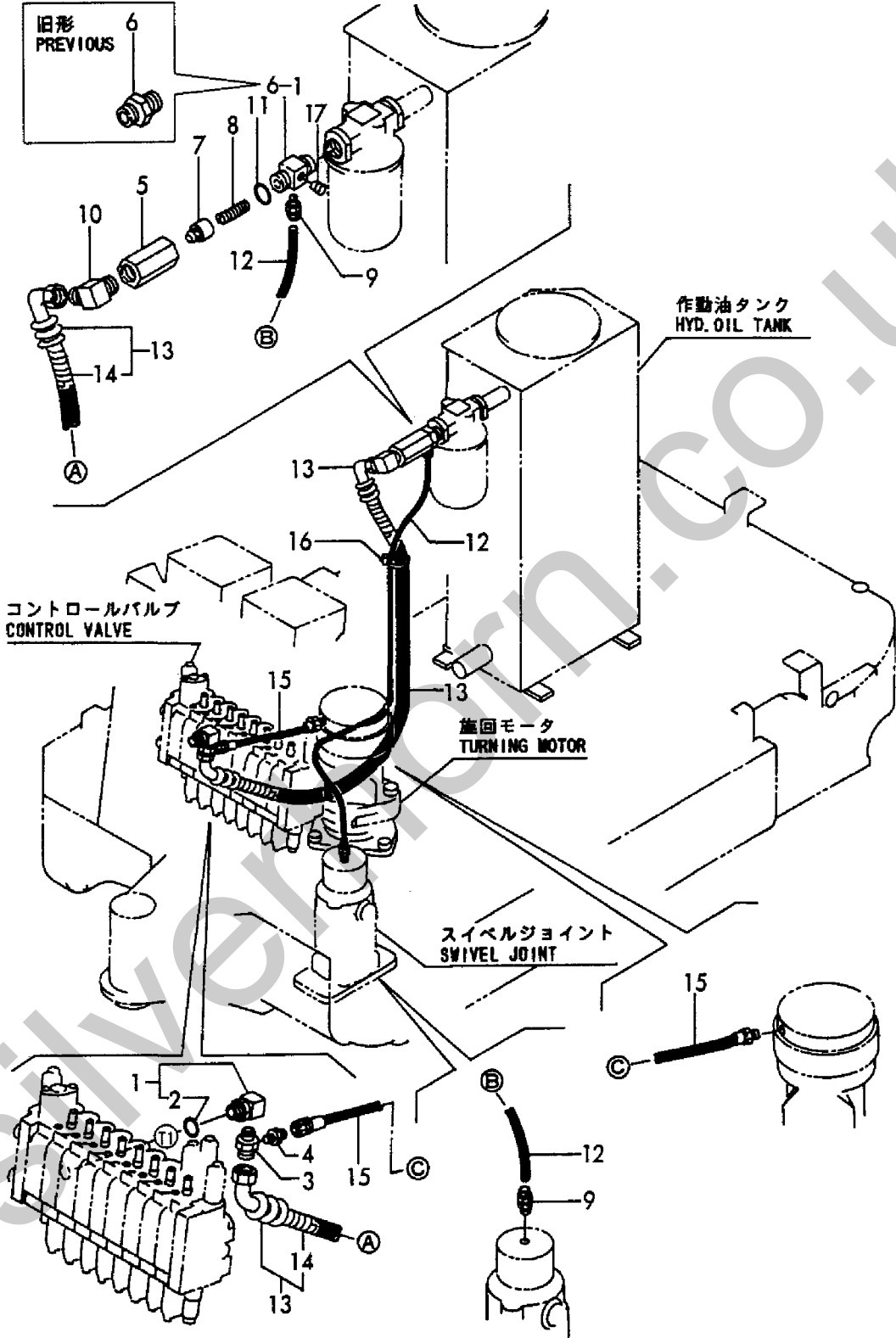




1,1,,172137-76100,, "ELBOW PF1/4",1,1,1,1,,,,,,,,,,,,,  
2,2,,24315-000110,, "O-RING 1B P-11.0",1,1,1,1,,,,,,,,,,,,,  
3,1,,172157-76330,, "JOINT 1/8",1,1,1,1,,,,,,,,,,,,,  
4,1,,172112-77580,, "JOINT 1/8",1,1,1,1,,,,,,,,,,,,,  
5,1,,172157-76410,, "BODY, VALVE",1,1,1,1,,,,,,,,,,,,,  
6,1,,172157-76420,, "CONNECTOR 1/2X1/2",1,1,,,,,,,,,,,,,  
6-1,1,,172157-76421,, "CONNECTOR  
1/2X1/2",1,1,1,1,, ,F,1,72157154,M/#01725,72157154,M/#01725,,,,,,  
7,1,,172157-76430,, "SPOOL",1,1,1,1,,,,,,,,,,,,,  
8,1,,172157-76441,, "SPRING",1,1,1,1,,,,,,,,,,,,,  
9,1,,172141-77800,, "JOINT, GREASE",2,2,2,2,,,,,,,,,,,,,  
10,1,,23393-030000,, "JOINT 90RGI 3/8",1,1,1,1,,,,,,,,,,,,,  
11,1,,24315-000180,, "O-RING 1B P-18.0",1,1,1,1,,,,,,,,,,,,,  
12,1,,172141-77811,, "HOSE, GREASE",1,1,1,1,,,,,,,,,,,,,  
13,1,,172157-78431,, "HOSE",1,1,1,1,,,,,,,,,,,,,  
14,2,,172157-78030,, "TUBE, SPIRAL",1,1,1,1,,,,,,,,,,,,,  
15,1,,172157-78740,, "HOSE",1,1,1,1,,,,,,,,,,,,,  
16,1,,933168-55770,, "BAND 146",1,1,1,1,,,,,,,,,,,,,  
17,1,,23871-030000,, "PLUG  
PT3/8, SCREW",1,1,1,1,, ,W,,72157154,M/#01725,72157154,M/#01725,,,,,,

Silverhorn.CO.UK

旧形  
PREVIOUS



作動油タンク  
HYD. OIL TANK

制御バルブ  
CONTROL VALVE

旋回モータ  
TURNING MOTOR

スィベルジョイント  
SWIVEL JOINT

旧形  
PREVIOUS

6

10

5

13

12

13

16

12

15

13

15

1

2

11

4

3

15

14

13

B

12

9

C

6-1

7

8

11

17

B

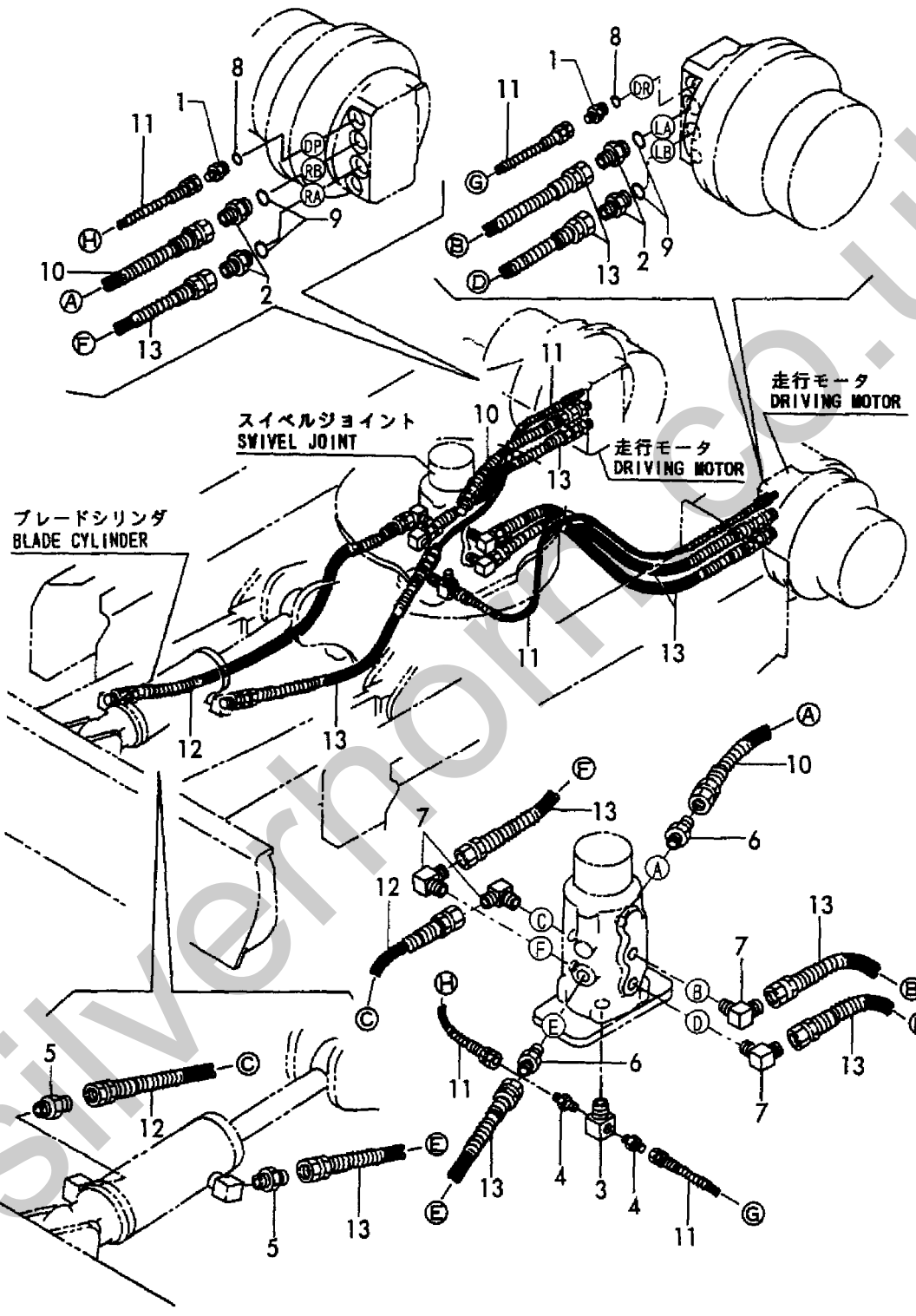
9

A

Copyright © 2010 KAWASUMI KIKAI CO., LTD. All rights reserved.

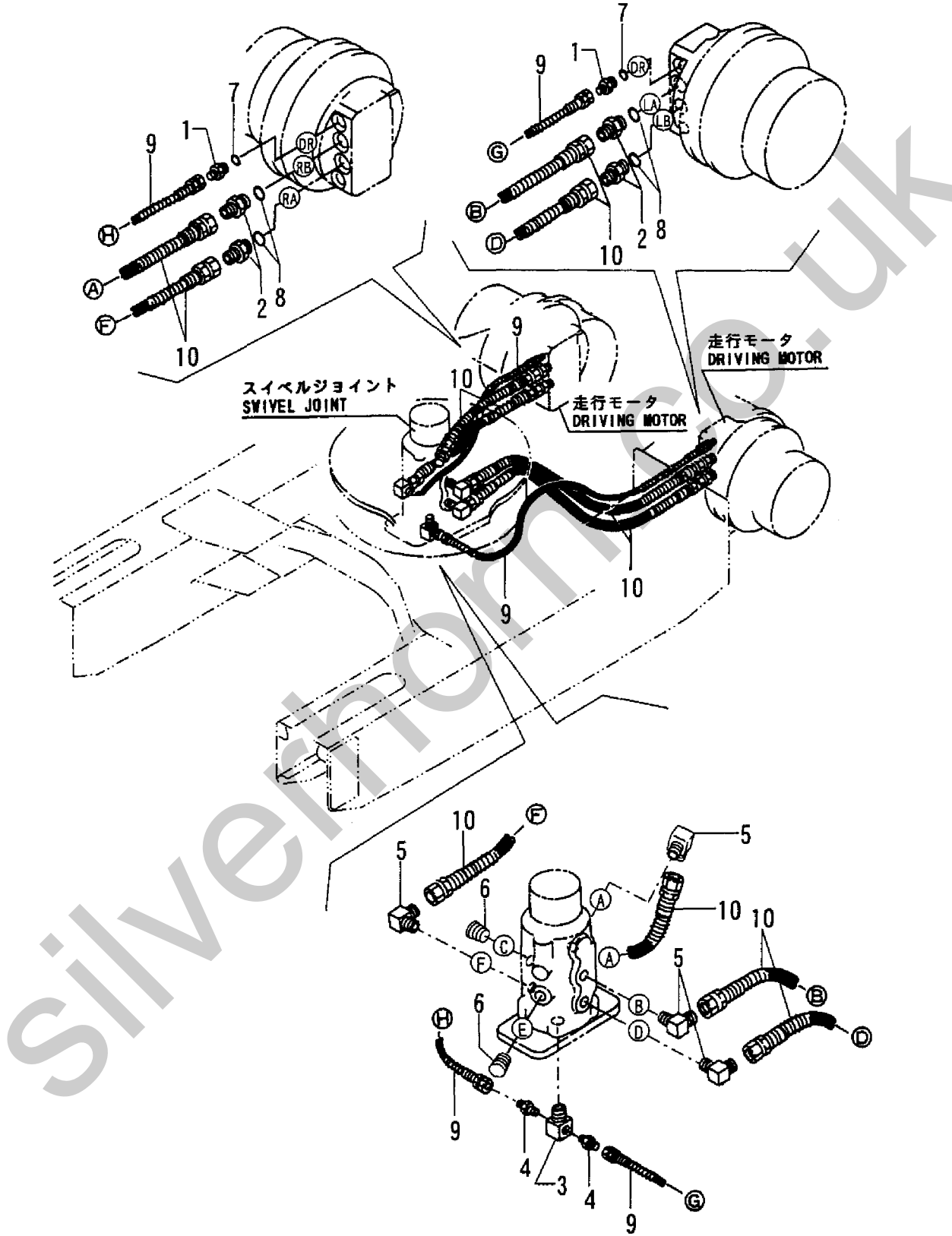
1,1,,172155-76100,, "CONNECTOR PF1/8 PF1/4",2,2,2,2,,,,,,,,,,,,,  
2,1,,172157-76150,, "CONNECTOR 3/8-1/4",4,4,4,4,,,,,,,,,,,,,  
3,1,,172156-76190,, "JOINT 1/4,1/8",1,1,1,1,,,,,,,,,,,,,  
4,1,,172112-77580,, "JOINT 1/8",2,2,2,2,,,,,,,,,,,,,  
5,1,,23391-020000,, "JOINT RGI1/4",2,2,2,2,,,,,,,,,,,,,  
6,1,,23391-020000,, "JOINT RGI1/4",2,2,2,2,,,,,,,,,,,,,  
7,1,,23393-020000,, "JOINT 90RGI1/4",4,4,4,4,,,,,,,,,,,,,  
8,1,,24315-000110,, "O-RING 1B P-11.0",2,2,2,2,,,,,,,,,,,,,  
9,1,,24315-000140,, "O-RING 1B P-14.0",4,4,4,4,,,,,,,,,,,,,  
10,1,,172156-78180,, HOSE,1,1,1,1,,,,,,,,,,,,,  
11,1,,172157-78480,, HOSE,2,2,2,2,,,,,,,,,,,,,  
12,1,,172157-78490,, HOSE,1,1,1,1,,,,,,,,,,,,,  
13,1,,172157-78500,, HOSE,4,4,4,4,,,,,,,,,,,,,

Silverhorn.CO.UK



1,1,,172155-76100,, "CONNECTOR PF1/8 PF1/4",2,,,,,,,,,,,,,  
2,1,,172157-76150,, "CONNECTOR 3/8-1/4",4,,,,,,,,,,,,,  
3,1,,172156-76190,, "JOINT 1/4,1/8",1,,,,,,,,,,,,,  
4,1,,172112-77580,, "JOINT 1/8",2,,,,,,,,,,,,,  
5,1,,23393-020000,, "JOINT 90RGI1/4",4,,,,,,,,,,,,,  
6,1,,23871-020000,, "PLUG PT1/4,SCREW",2,,,,,,,,,,,,,  
7,1,,24315-000110,, "O-RING 1B P-11.0",2,,,,,,,,,,,,,  
8,1,,24315-000140,, "O-RING 1B P-14.0",4,,,,,,,,,,,,,  
9,1,,172453-78100,, "HOSE P202FF073W",2,,,,,,,,,,,,,  
10,1,,172453-78110,, "HOSE P204BB075W",4,,,,,,,,,,,,,

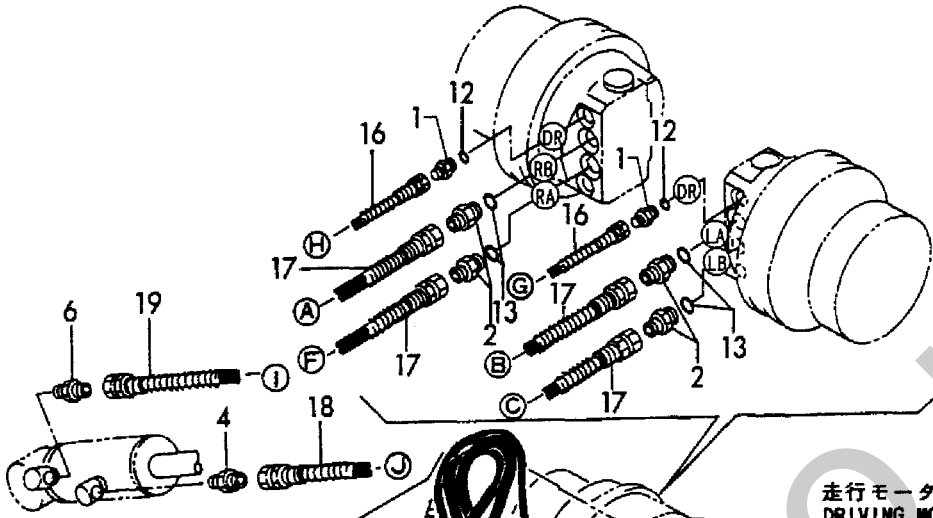
Silverhorn.CO.UK





1,1,,172155-76100,, "CONNECTOR PF1/8 PF1/4",2,,2,2,,,,,,,,,,,,,  
2,1,,172157-76150,, "CONNECTOR 3/8-1/4",4,,4,4,,,,,,,,,,,,,  
3,1,,172156-76190,, "JOINT 1/4,1/8",1,,1,1,,,,,,,,,,,,,  
4,1,,172157-76290,, "NIPPLE PT,PF1/8",2,,2,2,,,,,,,,,,,,,  
5,1,,172112-77580,, "JOINT 1/8",2,,2,2,,,,,,,,,,,,,  
6,1,,172112-77580,, "JOINT 1/8",2,,2,2,,,,,,,,,,,,,  
7,1,,172112-77660,, "L-JOINT 1/8",4,,4,4,,,,,,,,,,,,,  
8,1,,23394-020000,, "JOINT 45RGI1/4",2,,2,2,,,,,,,,,,,,,  
9,1,,23391-020000,, "JOINT RGI1/4",2,,2,2,,,,,,,,,,,,,  
10,1,,23391-020000,, "JOINT RGI1/4",2,,2,2,,,,,,,,,,,,,  
11,1,,23393-020000,, "JOINT 90RGI1/4",2,,,,,,,,,,,,,  
11-1,1,,172312-76250,, "ELBOW PT1/4",2,,2,2,,F,1,72157131,M/#00609,,,,,,,,,,,,,  
12,1,,24315-000110,, "O-RING 1B P-11.0",2,,2,2,,,,,,,,,,,,,  
13,1,,24315-000140,, "O-RING 1B P-14.0",4,,4,4,,,,,,,,,,,,,  
14,1,,172157-78270,, "HOSE",1,,1,1,,,,,,,,,,,,,  
15,1,,172157-78280,, "HOSE",1,,1,1,,,,,,,,,,,,,  
16,1,,172157-78350,, "HOSE",2,,2,2,,,,,,,,,,,,,  
17,1,,172157-78300,, "HOSE",4,,4,4,,,,,,,,,,,,,  
18,1,,172157-78310,, "HOSE",2,,2,2,,,,,,,,,,,,,  
19,1,,172157-78320,, "HOSE",2,,2,2,,,,,,,,,,,,,  
20,1,,172157-74450,, "VALVE, CHECK",1,,,,,,,,,,,,,  
20-1,1,,172157-74451,, "CHECK VALVE CMP",1,,1,1,,R,,72157110,M/#00566,,,,,,,,,,,,,  
21,2,,172157-74400,, "HOUSING, CHECK VALVE",1,,,,,,,,,,,,,  
21-1,2,,172157-74401,, "HOUSING",1,,1,1,,R,,72157110,M/#00566,,,,,,,,,,,,,  
22,2,,172157-74410,, "VALVE, CHECK",4,,4,4,,,,,,,,,,,,,  
23,3,,172157-74560,, "SEAL SET, VALVE",4,,4,4,,,,,,,,,,,,,  
29,2,,23871-010000,, "PLUG PT1/8,SCREW",4,,4,4,,,,,,,,,,,,,  
30,2,,24311-000100,, "O-RING 1A P-10.0",2,,2,2,,,,,,,,,,,,,  
31,2,,26450-060602,, "BOLT, M6X 60",2,,2,2,,,,,,,,,,,,,  
32,1,,172157-76390,, "CONNECTOR",2,,2,2,,W,,72157131,M/#00609,,,,,,,,,,,,,  
33,1,,172312-77820,, "FITTING, GREASE",2,,2,2,,W,,72157131,M/#00609,,,,,,,,,,,,,



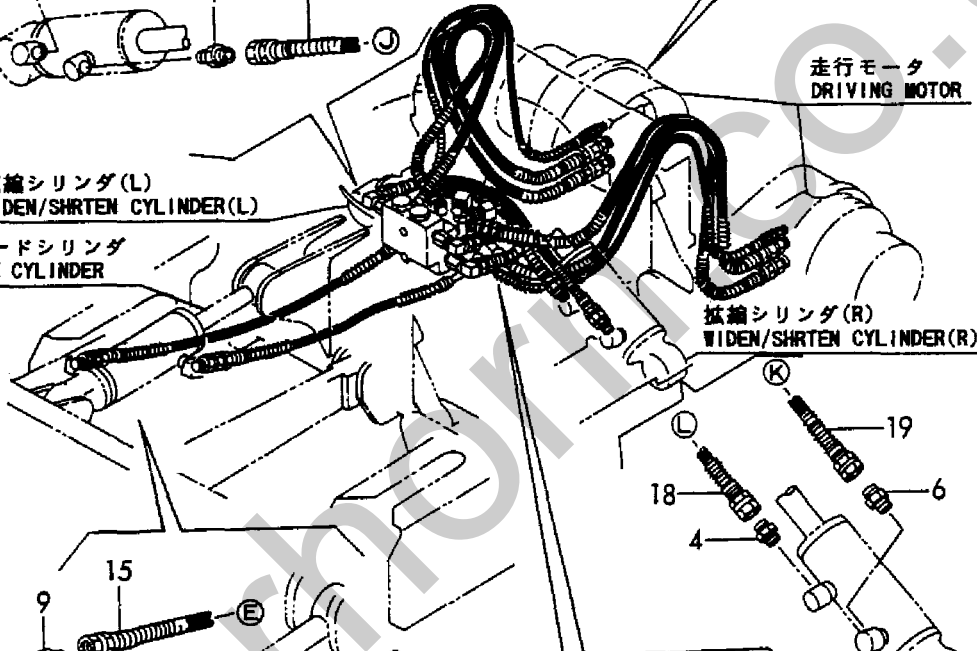


走行モータ  
DRIVING MOTOR

拡張シリンダ(L)  
WIDEN/SHRTEN CYLINDER(L)

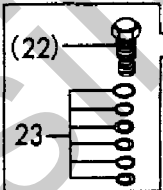
ブレードシリンダ  
BLADE CYLINDER

拡張シリンダ(R)  
WIDEN/SHRTEN CYLINDER(R)

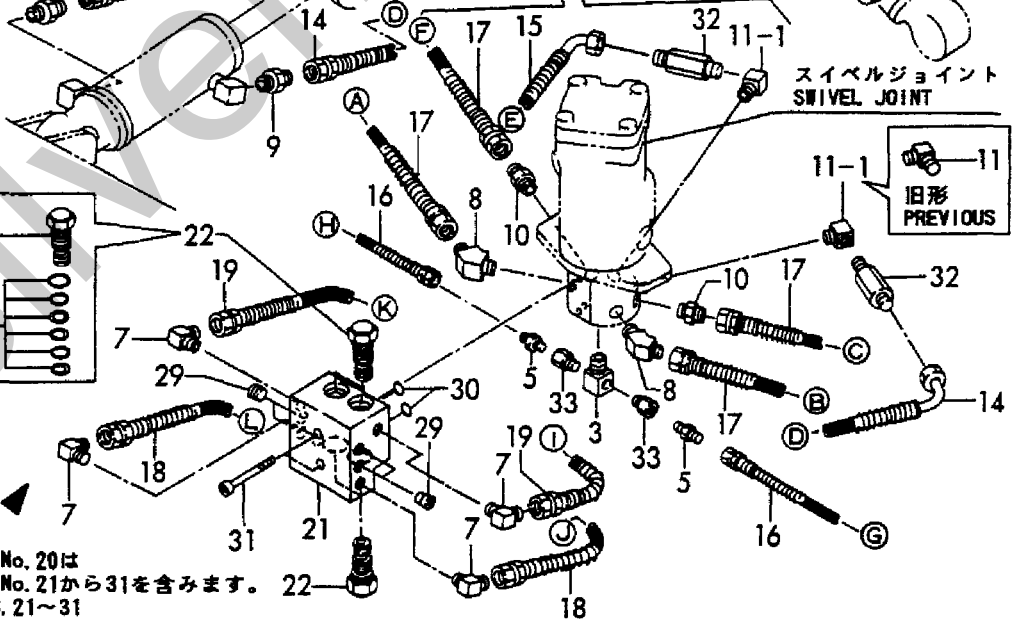


スィベルジョイント  
SWIVEL JOINT

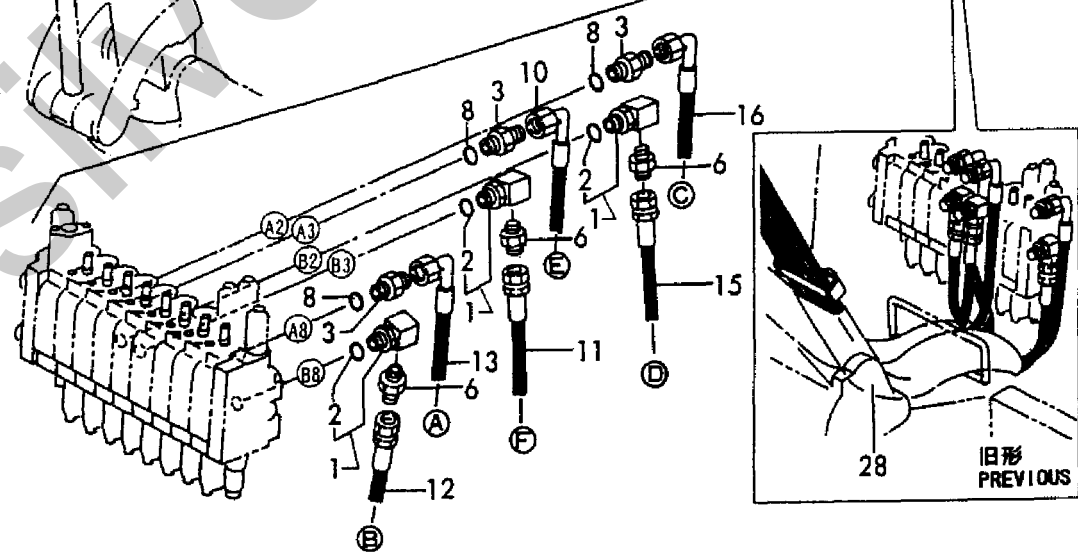
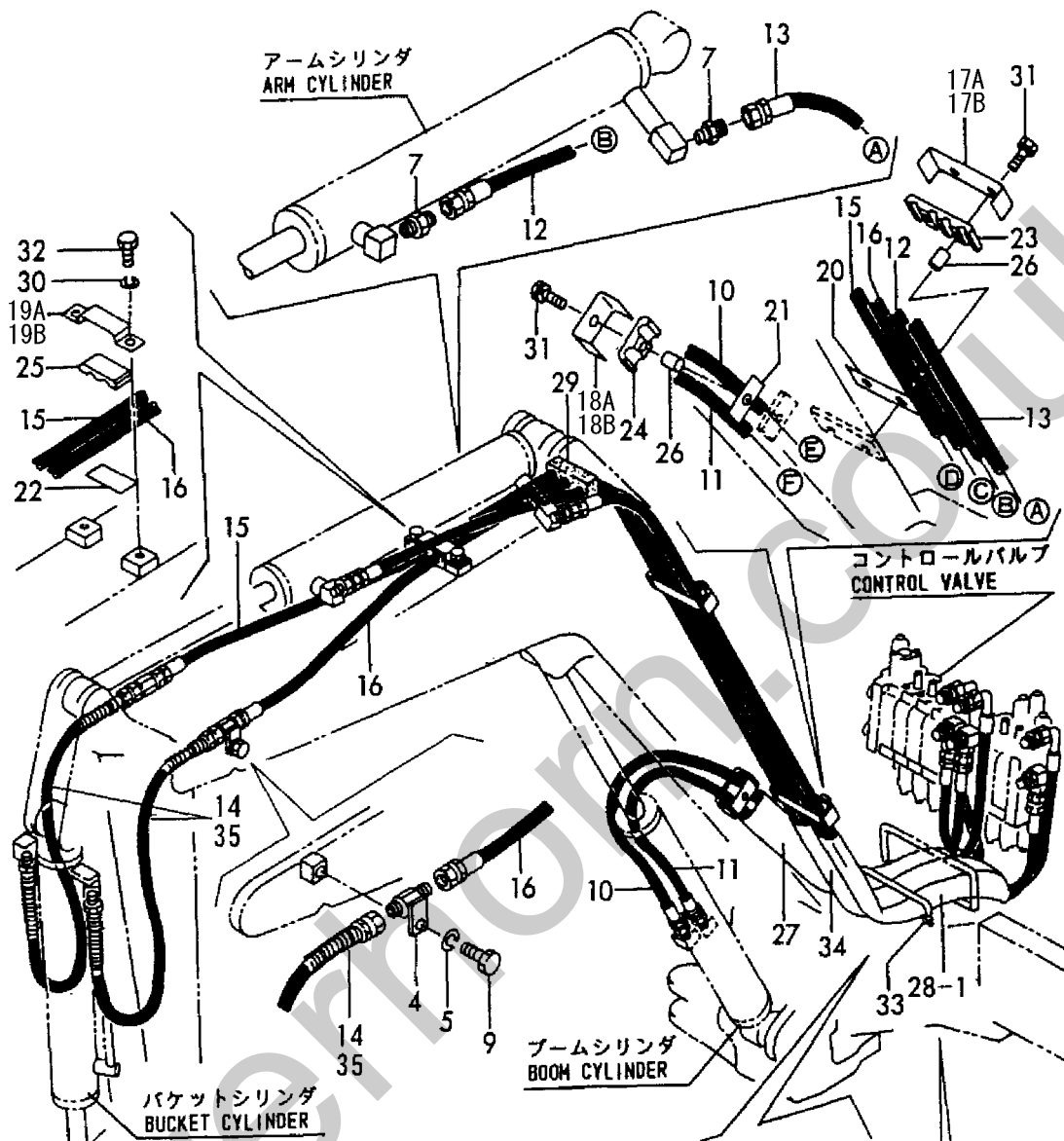
11-1  
旧形  
PREVIOUS



20  
見出しNo. 20は  
見出しNo. 21から31を含みます。  
20 INC. 21~31



1,1,,172137-76100,, "ELBOW PF1/4",3,3,3,3,,,,,,,,,,,,,  
2,2,,24315-000110,, "O-RING 1B P-11.0",3,3,3,3,,,,,,,,,,,,,  
3,1,,172123-76120,, "CONNECTOR PF1/4",3,3,3,3,,,,,,,,,,,,,  
4,1,,172155-76120,, "JOINT PF1/4",2,2,2,2,,,,,,,,,,,,,  
5,1,,22217-100000,, "SPRING WASHER 10",2,2,2,2,,,,,,,,,,,,,  
6,1,,23391-020000,, "JOINT RGI1/4",3,3,3,3,,,,,,,,,,,,,  
7,1,,23391-020000,, "JOINT RGI1/4",2,2,2,2,,,,,,,,,,,,,  
8,1,,24315-000110,, "O-RING 1B P-11.0",3,3,3,3,,,,,,,,,,,,,  
9,1,,26116-100162,, "BOLT M10X 16 PLATED",2,2,2,2,,,,,,,,,,,,,  
10,1,,172157-78100,, HOSE,1,1,,,,,,,,,,,,,  
10-1,1,,172157-  
78101,, HOSE,1,1,1,1,,,N,,72157140,M/#00929,72157140,M/#00929,,,,,  
11,1,,172157-78110,, HOSE,1,1,,,,,,,,,,,,,  
11-1,1,,172157-  
78111,, HOSE,1,1,1,1,,,N,,72157140,M/#00929,72157140,M/#00929,,,,,  
12,1,,172157-78120,, HOSE,1,1,1,1,,,,,,,,,,,,,  
13,1,,172157-78130,, HOSE,1,1,1,1,,,,,,,,,,,,,  
14,1,,172157-78150,, HOSE,2,2,2,2,,,,,2,,,,,,,,,,,,,  
15,1,,172157-78330,, HOSE,1,1,1,1,,,,,,,,,,,,,  
16,1,,172157-78340,, HOSE,1,1,1,1,,,,,,,,,,,,,  
17A,1,,172156-78450,, "CLAMP (GREEN:76)",2,,2,2,,,,,,,,,,,,,  
17A-1,1,,172156-78450-4,, "CLAMP  
(GREEN:85)",2,,2,2,,,S,,\*,M/#01831,,,\*,M/#01831,\*M/#01831,,,  
17B,1,,172156-78450-3,, "CLAMP (YELLOW:70)",,2,,,,,,,,,,,,,  
18A,1,,172156-78460,, "CLAMP (GREEN:76)",1,1,1,1,,,,,,,,,,,,,  
18A-1,1,,172156-78460-4,, "CLAMP  
(GREEN:85)",1,1,1,1,,,S,,\*,M/#01831,,,\*,M/#01831,\*M/#01831,,,  
18B,1,,172156-78460-3,, "CLAMP (YELLOW:70)",,1,,,,,,,,,,,,,  
19A,1,,172156-78470,, "CLAMP (GREEN:76)",1,1,1,1,,,,,,,,,,,,,  
19A-1,1,,172156-78470-4,, "CLAMP  
(GREEN:85)",1,1,1,1,,,S,,\*,M/#01831,,,\*,M/#01831,\*M/#01831,,,  
19B,1,,172156-78470-3,, "CLAMP (YELLOW:70)",,1,,,,,,,,,,,,,  
20,1,,172156-78480,, "PLATE, RUBBER (A",2,2,2,2,,,,,,,,,,,,,  
21,1,,172156-78490,, "PLATE, RUBBER (B",1,1,1,1,,,,,,,,,,,,,  
22,1,,172156-78500,, "PLATE, RUBBER (C",1,1,1,1,,,,,,,,,,,,,  
23,1,,172156-78510,, "SUPPORT, HOSE (A",2,2,2,2,,,,,,,,,,,,,  
24,1,,172156-78520,, "SUPPORT, HOSE (B",1,1,1,1,,,,,,,,,,,,,  
25,1,,172156-78530,, "SUPPORT, HOSE (C",1,1,1,1,,,,,,,,,,,,,  
26,1,,172156-78540,, "COLLAR 9X 18",5,5,5,5,,,,,,,,,,,,,  
27,1,,172157-78610,, "COVER, HOSE",1,1,,,,,,,,,,,,,  
27-1,1,,172147-78790,, GUIDE,1,1,1,1,,,M,,,,,,,,,,,,,  
27-2,1,,172142-78790,, "COVER 20-600,  
HOSE",1,1,1,1,,,N,,72157140,M/#00929,72157140,M/#00929,,,,,  
28,1,,172157-78620,, "COVER, HOSE",1,1,,,,,,,,,,,,,  
28-1,1,,172142-78790,, "COVER 20-600,  
HOSE",1,1,1,1,,,F,1,72157133,M/#00929,72157133,M/#00929,,,,,  
29,1,,172157-78630,, "CLAMP, HOSE",1,1,1,1,,,,,,,,,,,,,  
30,1,,22217-080000,, "SPRING WASHER 8",2,2,2,2,,,,,,,,,,,,,  
31,1,,26013-080302,, "BOLT M 8X 30",5,5,5,5,,,,,,,,,,,,,  
32,1,,26116-080122,, "BOLT M 8X 12 PLATED",2,2,2,2,,,,,,,,,,,,,  
33,1,,172122-79890,, "CLAMP  
350",1,1,1,1,,,W,,72157140,M/#00929,72157140,M/#00929,,,,,  
34,1,,172157-78640,, "COVER  
20X500,HOSE",1,1,1,1,,,W,,72157133,M/#00929,72157133,M/#00929,,,,,  
35,1,,172171-78770,, "HOSE G206AB078W",2,,,,,3,,,,,,,,,,,,



1,1,,772157-46100,, "P.T.O. ASY, HYD. OIL",1,1,,,,,1,,,,,  
1-1,1,,772157-46101,, "P.T.O. ASSY, HYD.  
OIL",1,1,,,,,N,1,72157154,M/#01725,72157154,M/#01725,,,,,  
2,2,,172145-76180,, "JOINT 3/8",2,2,2,2,,,,,  
5,2,,172157-76220,, "CONNECTOR 1/4-3/8",2,2,,,,,  
5-1,2,,172157-76220,, "CONNECTOR 1/4-  
3/8",1,1,1,1,,K,,72157154,M/#01725,72157154,M/#01725,,,,,  
6,2,,172157-78390,,HOSE,2,2,,,,,  
6-1,2,,172157-  
78390,,HOSE,1,1,1,1,,K,,72157154,M/#01725,72157154,M/#01725,,,,,  
7,2,,23871-030000,, "PLUG PT3/8,SCREW",2,2,2,2,,,,,  
8,2,,24315-000110,, "O-RING 1B P-11.0",2,2,,,,,  
8-1,2,,24315-000110,, "O-RING 1B P-  
11.0",1,1,1,1,,K,,72157154,M/#01725,72157154,M/#01725,,,,,  
9,2,,172145-78280,, "HOSE  
P206BB102S",1,1,1,1,,W,,72157154,M/#01725,72157154,M/#01725,,,,,  
10,2,,23393-030000,, "JOINT 90RGI  
3/8",1,1,1,1,,W,,72157154,M/#01725,72157154,M/#01725,,,,,  
11,2,,172157-76421,, "CONNECTOR  
1/2X1/2",1,1,1,1,,W,,72157154,M/#01725,72157154,M/#01725,,,,,

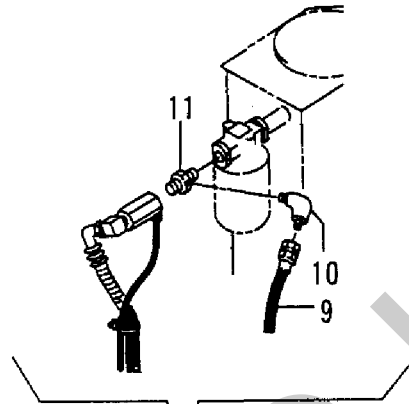
Silverhorn.CO.UK

油圧P. T. O. (フレームエンド)ASSY  
 HYD. OIL P. T. O. (FRAME END)ASSY  
 (772157-46100)

項目No. 54の見出しNo. 1は  
 項目No. 21の見出しNo. 1から27と  
 項目No. 54の見出しNo. 2から8を含みます。  
 Fig. 54 REF. No. 1  
 INC. Fig. 21 REF. No. 1~27  
 Fig. 54 REF. No. 2~8.

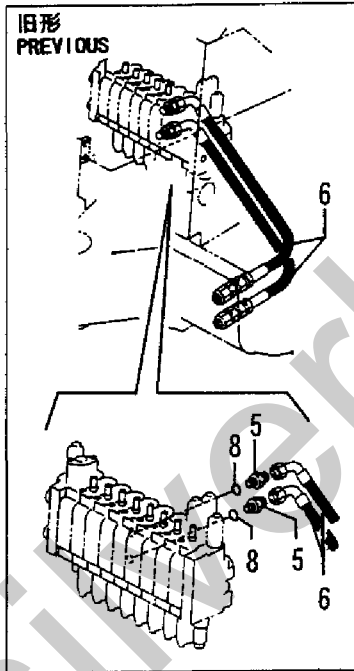
油圧P. T. O. (フレームエンド)ASSY  
 HYD. OIL P. T. O. (FRAME END)ASSY  
 (772157-46101)

項目No. 54の見出しNo. 1-1は  
 項目No. 21の見出しNo. 1から27と  
 項目No. 54の見出しNo. 2から11を含みます。  
 Fig. 54 REF. No. 1-1  
 INC. Fig. 21 REF. No. 1~27  
 Fig. 54 REF. No. 2~11.

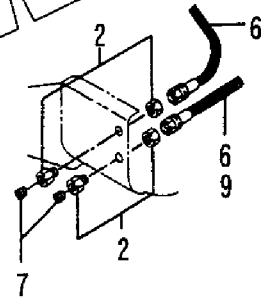
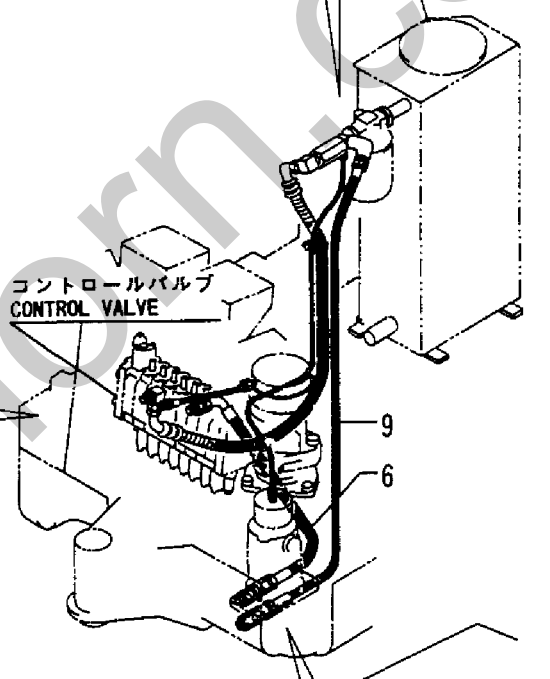


1  
 1-1

作動油タンク  
 HYD. OIL TANK



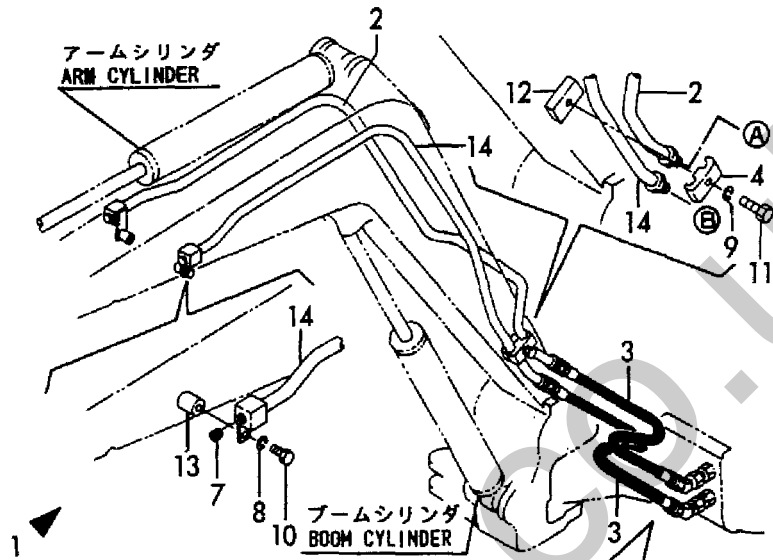
コントロールバルブ  
 CONTROL VALVE



1,1,,772157-46110,, "PIPING ASY, P.T.O(BE",1,1,1,1,,,,1,,,,,,,,,,,,,  
2,2,,172157-74720,, "TUBE(R), 3RD VALVE",1,1,1,1,,,,,,,,,,,,,  
3,2,,172157-78560,, HOSE,2,2,2,2,,,,,,,,,,,,,  
4,2,,172112-76300,, "RETAINER A,BOOM PIPE",1,1,1,1,,,,,,,,,,,,,  
5,2,,172633-76200,, "ADAPTER PT3/8",2,2,2,2,,,,,,,,,,,,,  
6,2,,23394-030000,, "JOINT 45RGI 3/8",2,2,2,2,,,,,,,,,,,,,  
7,2,,23871-030000,, "PLUG PT3/8,SCREW",2,2,2,2,,,,,,,,,,,,,  
8,2,,22217-100000,, "SPRING WASHER 10",2,2,2,2,,,,,,,,,,,,,  
9,2,,22217-100000,, "SPRING WASHER 10",1,1,1,1,,,,,,,,,,,,,  
10,2,,26116-100202,, "BOLT M10X 20 PLATED",2,2,2,2,,,,,,,,,,,,,  
11,2,,26116-100402,, "BOLT 10X 40",1,1,1,1,,,,,,,,,,,,,  
12,2,,172157-81710,, PLATE,1,1,1,1,,,,,2,,,,,,,,,,,,,  
13,2,,172157-81720,, PLATE,2,2,2,2,,,,,2,,,,,,,,,,,,,  
14,2,,172157-74700,, "TUBE(L), 3RD VALVE",1,1,1,1,,,,,,,,,,,,,  
15,1,,172157-81700,, "BOOM W/BUSH, 3RD",1,1,1,1,,,,,,,,,,,,,  
16,2,,172156-72410,, "BUSH, PIN 25 35 A",2,2,2,2,,,,,,,,,,,,,

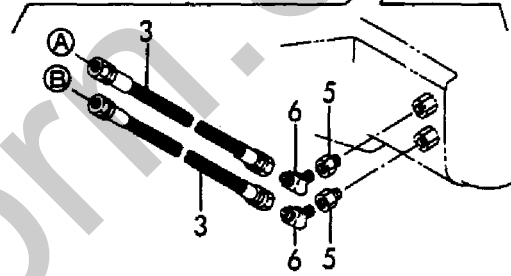
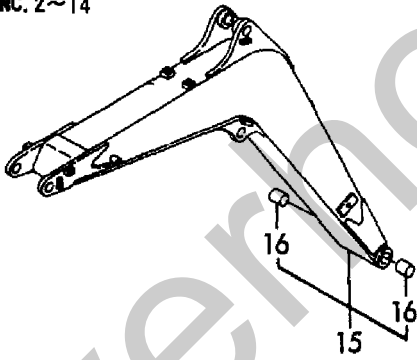
Silverhorn.CO.UK

TO M/#03763



油圧P. T. O. (ブームエンド)ASSY  
HYD. OIL P. T. O. (BOOM END)ASSY  
(772157-46110)

見出しNo. 1は  
見出しNo. 2から14を含みます。  
1 INC. 2~14

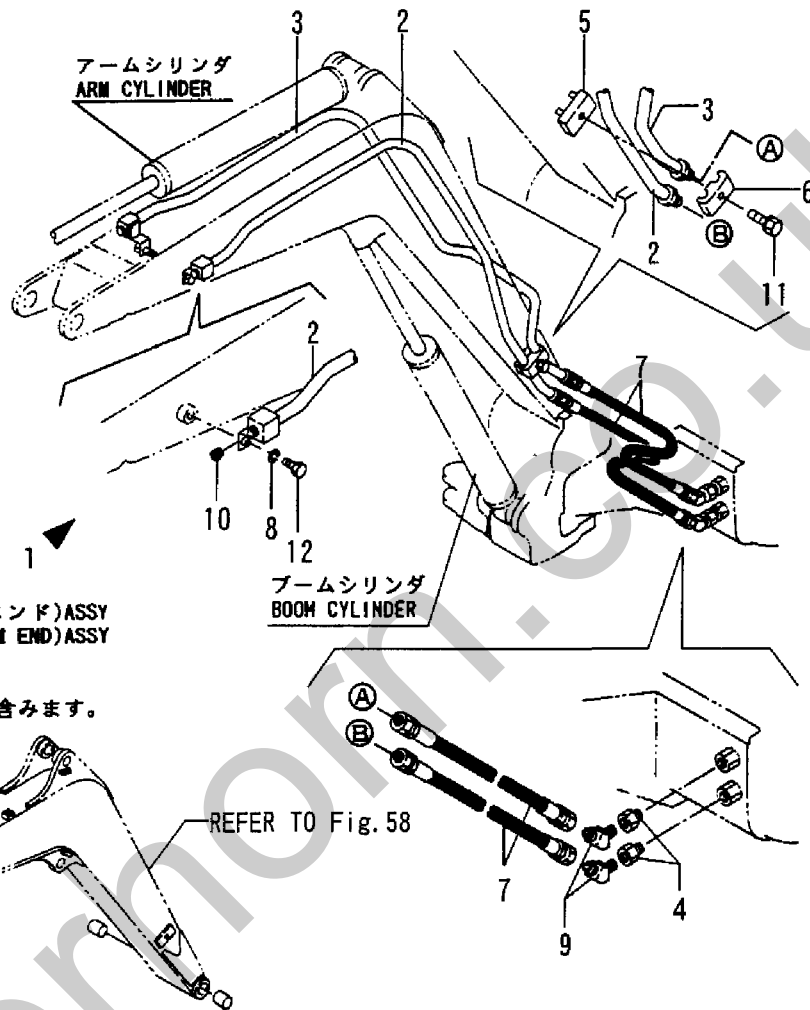




1,1,,772157-46111,,,"PIPING ASY, P.T.O(BE",1,,1,1,,,,1,,,,,,,,,,,,,  
2,2,,172157-74701,,,"TUBE,3RD L ASSY",1,,1,1,,,,,,,,,,,,,  
3,2,,172157-74721,,,"TUBE,3RD R ASSY",1,,1,1,,,,,,,,,,,,,  
4,2,,172633-76200,,,"ADAPTER PT3/8",2,,2,2,,,,,,,,,,,,,  
5,2,,172183-76260,,,"SPACER,1,,1,1,,,,,,,,,,,,,  
6,2,,172112-76300,,,"RETAINER A,BOOM PIPE",1,,1,1,,,,,,,,,,,,,  
7,2,,172157-78560,,,"HOSE,2,,2,2,,,,,,,,,,,,,  
8,2,,22217-100000,,,"SPRING WASHER 10",2,,2,2,,,,,,,,,,,,,  
9,2,,23394-030000,,,"JOINT 45RGI 3/8",2,,2,2,,,,,,,,,,,,,  
10,2,,23871-030000,,,"PLUG PT3/8,SCREW",2,,2,2,,,,,,,,,,,,,  
11,2,,26013-100502,,,"BOLT M10X 50",1,,1,1,,,,,,,,,,,,,  
12,2,,26116-100202,,,"BOLT M10X 20 PLATED",2,,2,2,,,,,,,,,,,,,

Silverhorn.CO.UK

FROM M/#03764

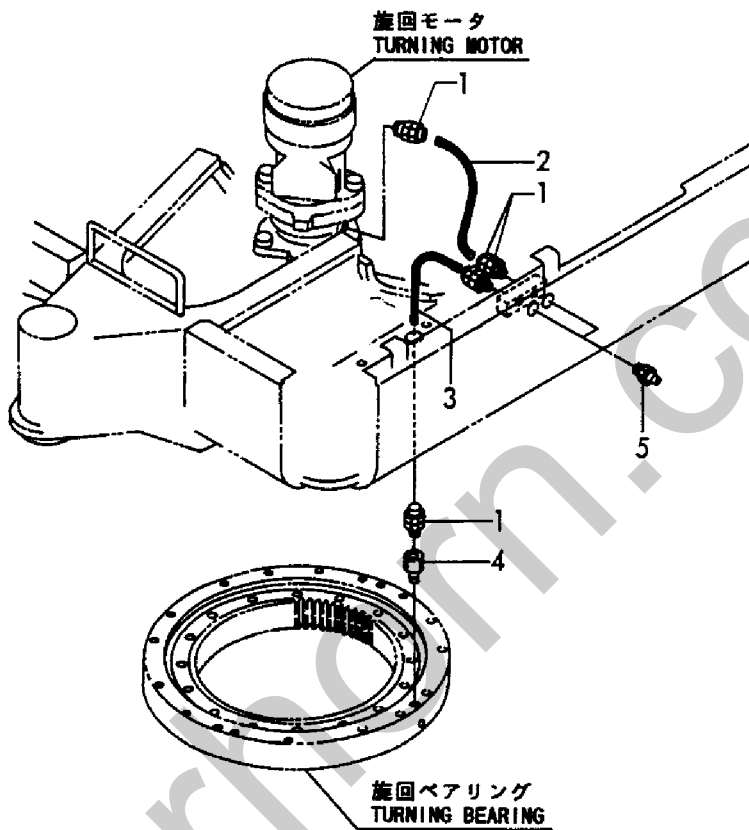


油圧P. T. O. (ブームエンド)ASSY  
HYD. OIL P. T. O. (BOOM END)ASSY  
(772157-46111)  
見出しNo. 1は  
見出しNo. 2から12を含みます。  
1 INC. 2~12

REFER TO Fig. 58

1,1,,172141-77800,, "JOINT, GREASE",4,4,4,4,,,,,,,,,,,,,  
2,1,,172157-77801,,HOSE,1,1,1,1,,,,,,,,,,,,,  
3,1,,172157-77810,,HOSE,1,1,1,1,,,,,,,,,,,,,  
4,1,,172312-77820,, "FITTING, GREASE",1,1,1,1,,,,,,,,,,,,,  
5,1,,24761-020000,, "NIPPLE PT1/8,GREASE",2,2,2,2,,,,,,,,,,,,,

Silverhorn.CO.UK

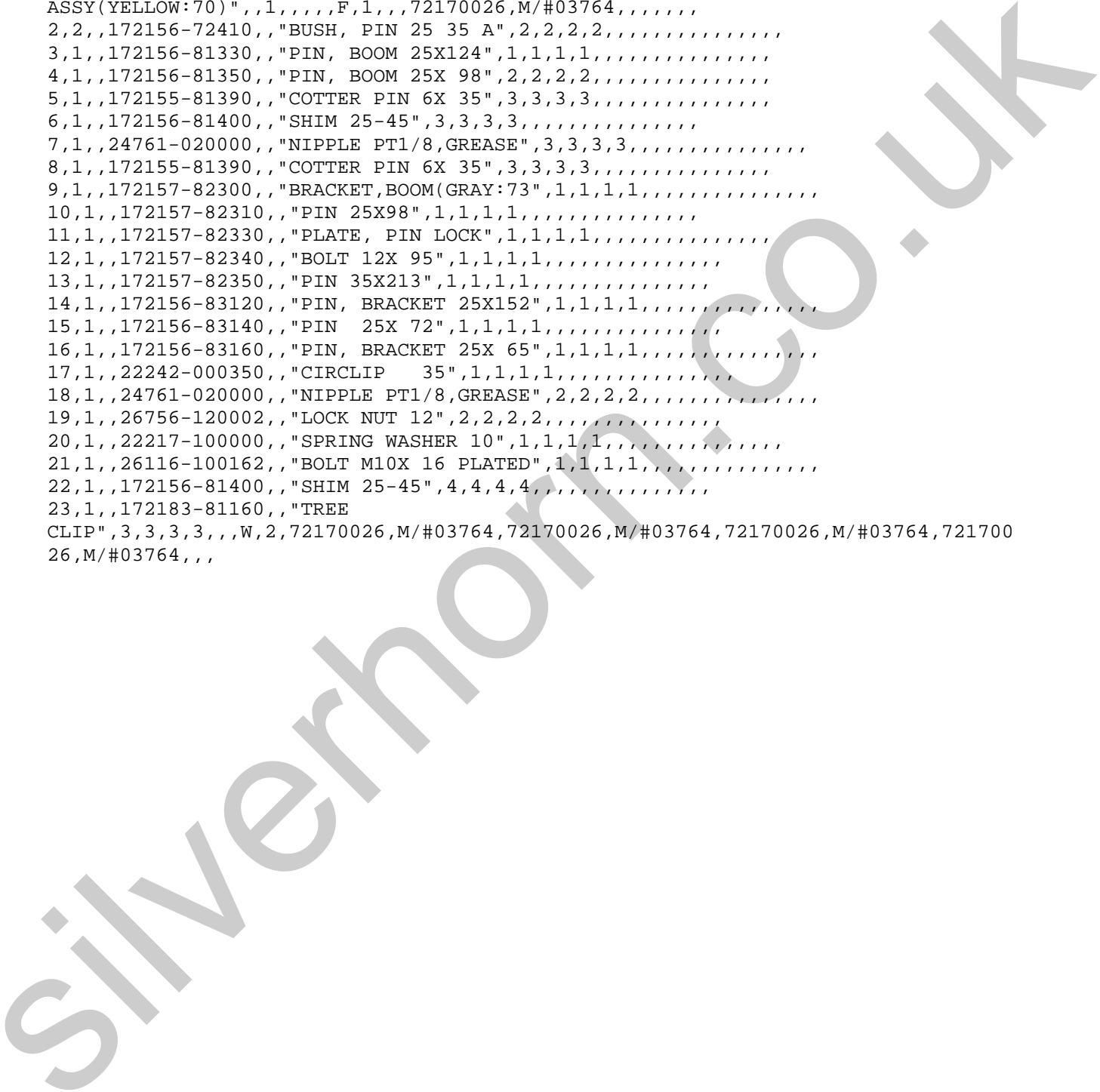


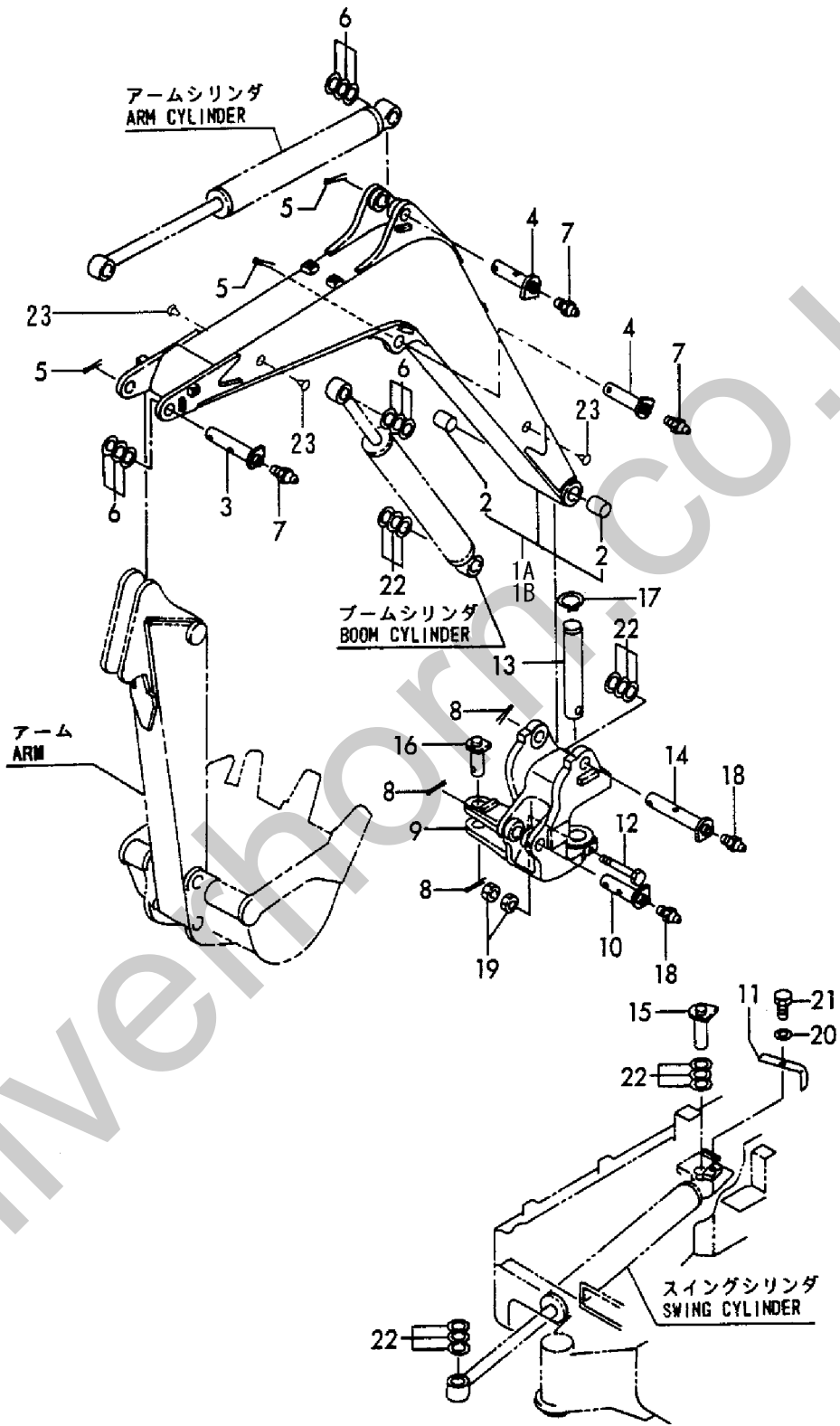
旋回モータ  
TURNING MOTOR

旋回ベアリング  
TURNING BEARING

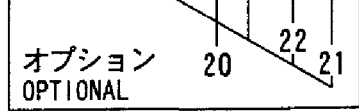
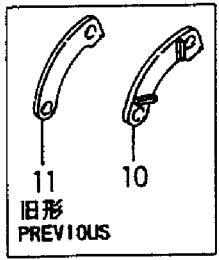
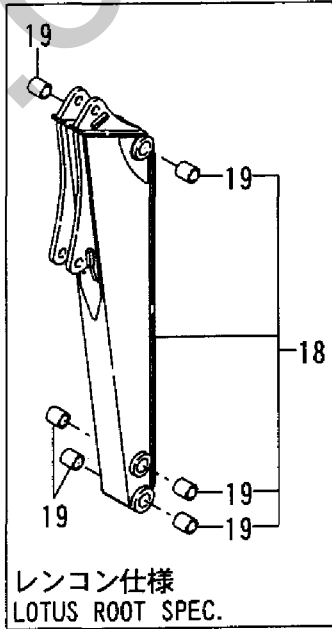
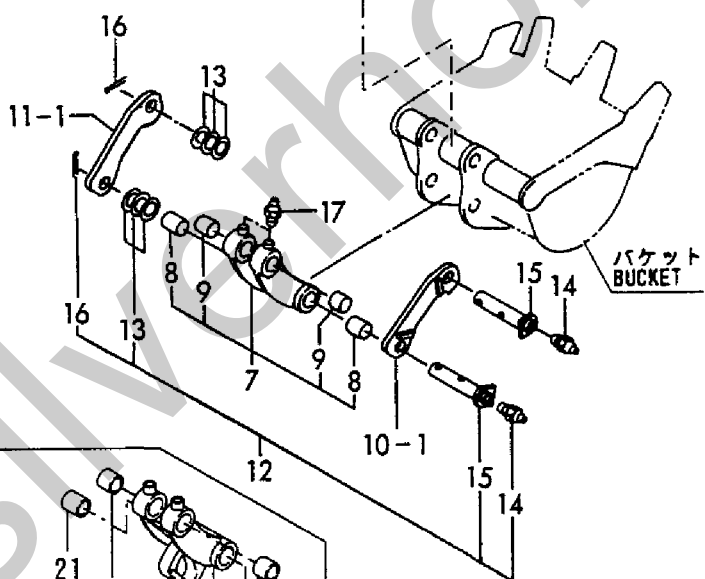
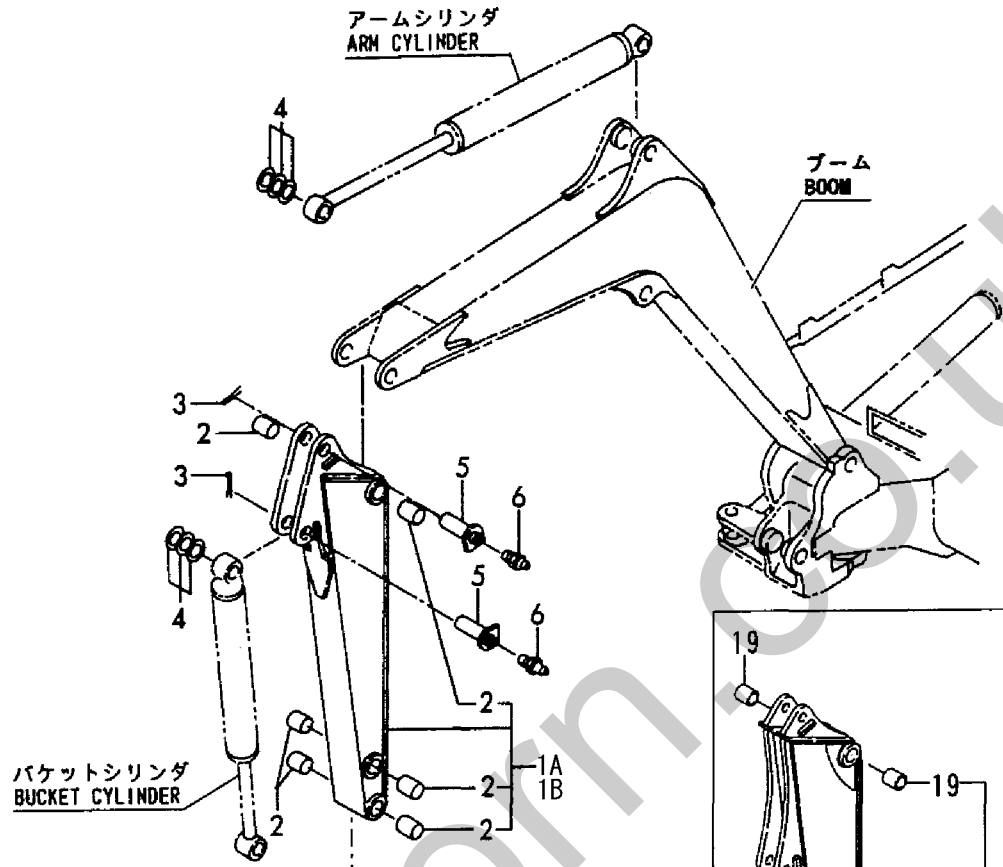
Silverline.co.uk

1A,1,,172157-81100,, "BOOM W/BUSH",1,,1,1,,,,,,,,,,,,,  
1A-1,1,,172157-81100-3,, "BOOM  
W/BUSH(GREEN:85",1,,1,1,,,S,,,\*,M/#01831,,,\*,M/#01831,\*M/#01831,,,  
1A-2,1,,172157-81101,, "BOOM  
W/BUSH",1,,1,1,,,F,1,72170026,M/#03764,,,72170026,M/#03764,72170026,M/#03764,,,  
1B,1,,172157-81100-1,, "BOOM W/BUSH",,1,,,,,,,,,,,,,  
1B-1,1,,172157-81101-1,, "BOOM  
ASSY(YELLOW:70)",,1,,,,,F,1,,,72170026,M/#03764,,,,,  
2,2,,172156-72410,, "BUSH, PIN 25 35 A",2,2,2,2,,,,,  
3,1,,172156-81330,, "PIN, BOOM 25X124",1,1,1,1,,,,,  
4,1,,172156-81350,, "PIN, BOOM 25X 98",2,2,2,2,,,,,  
5,1,,172155-81390,, "COTTER PIN 6X 35",3,3,3,3,,,,,  
6,1,,172156-81400,, "SHIM 25-45",3,3,3,3,,,,,  
7,1,,24761-020000,, "NIPPLE PT1/8,GREASE",3,3,3,3,,,,,  
8,1,,172155-81390,, "COTTER PIN 6X 35",3,3,3,3,,,,,  
9,1,,172157-82300,, "BRACKET,BOOM(GRAY:73",1,1,1,1,,,,,  
10,1,,172157-82310,, "PIN 25X98",1,1,1,1,,,,,  
11,1,,172157-82330,, "PLATE, PIN LOCK",1,1,1,1,,,,,  
12,1,,172157-82340,, "BOLT 12X 95",1,1,1,1,,,,,  
13,1,,172157-82350,, "PIN 35X213",1,1,1,1,,,,,  
14,1,,172156-83120,, "PIN, BRACKET 25X152",1,1,1,1,,,,,  
15,1,,172156-83140,, "PIN 25X 72",1,1,1,1,,,,,  
16,1,,172156-83160,, "PIN, BRACKET 25X 65",1,1,1,1,,,,,  
17,1,,22242-000350,, "CIRCLIP 35",1,1,1,1,,,,,  
18,1,,24761-020000,, "NIPPLE PT1/8,GREASE",2,2,2,2,,,,,  
19,1,,26756-120002,, "LOCK NUT 12",2,2,2,2,,,,,  
20,1,,22217-100000,, "SPRING WASHER 10",1,1,1,1,,,,,  
21,1,,26116-100162,, "BOLT M10X 16 PLATED",1,1,1,1,,,,,  
22,1,,172156-81400,, "SHIM 25-45",4,4,4,4,,,,,  
23,1,,172183-81160,, "TREE  
CLIP",3,3,3,3,,,W,2,72170026,M/#03764,72170026,M/#03764,72170026,M/#03764,721700  
26,M/#03764,,,





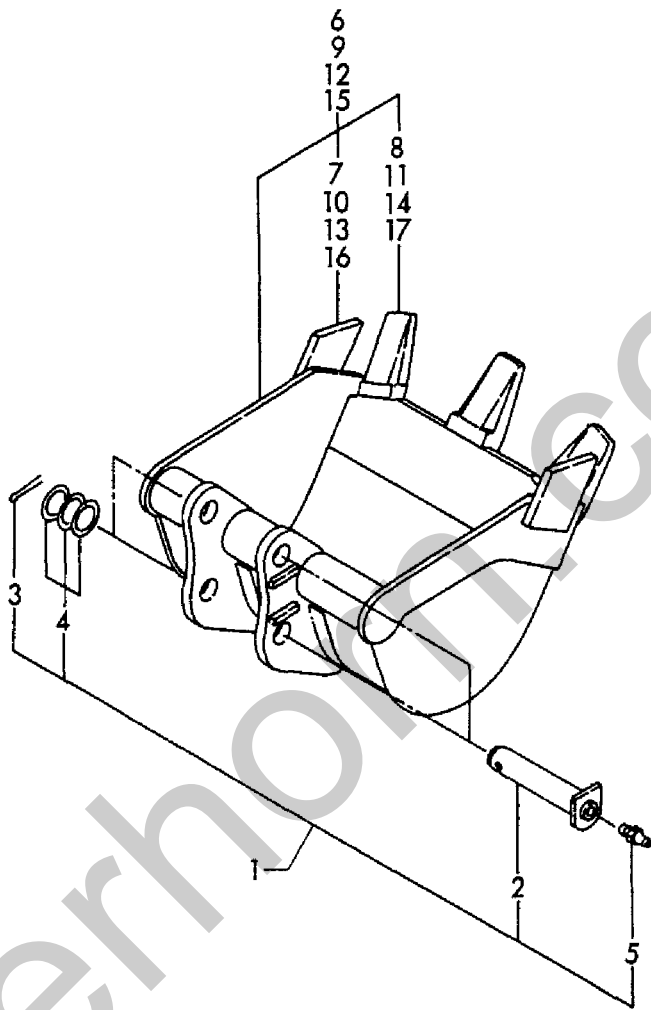
1A,1,,172157-81200,, "ARM W/BUSH",1,,1,1,,,,,2,,,,,,,,,,,,,  
1A-1,1,,172157-81200-3,, "ARM  
W/BUSH(GREEN:85)",1,,1,1,,,S,2,\*M/#01831,,,\*,M/#01831,\*M/#01831,,,  
1B,1,,172157-81200-1,, "ARM W/BUSH",,1,,,,,,,,,,,,,  
2,2,,172157-81360,, "BUSH 25 35 A, PIN",6,6,6,6,,,,,,,,,,,,,  
3,1,,172155-81390,, "COTTER PIN 6X 35",2,2,2,2,,,,,,,,,,,,,  
4,1,,172156-81400,, "SHIM 25-45",2,2,2,2,,,,,,,,,,,,,  
5,1,,172156-82200,, "PIN, ARM 25X 65",2,2,2,2,,,,,,,,,,,,,  
6,1,,24761-020000,, "NIPPLE PT1/8,GREASE",2,2,2,2,,,,,,,,,,,,,  
7,1,,172157-81300,, "LINK W/BUSH, BUCKET",1,1,1,1,,,,,,,,,,,,,  
7-1,1,,172157-  
81301,, "LINK,BUCKET(GREEN:85",1,1,1,1,,,R,,72186076,M/#03823,72186076,M/#03823,7  
2186076,M/#03823,72186076,M/#03823,,,  
8,2,,172157-81360,, "BUSH 25 35 A, PIN",2,2,2,2,,,,,,,,,,,,,  
9,2,,172157-81370,, "BUSH 25 35, PIN",2,2,2,2,,,,,,,,,,,,,  
10,1,,172157-81340,, "ARM(L), BUCKET",1,1,,,,,,,,,,,,,  
10-1,1,,172157-81341,, "ARM  
L,BUCKET(GREEN85",1,1,1,1,,,F,1,72157167,M/#03503,72157167,M/#03503,,,,,  
11,1,,172157-81350,, "ARM, BUCKET",1,1,,,,,,,,,,,,,  
11-1,1,,172157-  
81351,, "ARM,BUCKET(GREEN:85)",1,1,1,1,,,F,1,72157167,M/#03503,72157167,M/#03503,  
,,,,,  
12,1,,172156-99450,, "PIN KIT, BUCKET",2,2,2,2,,,W,\*M/#00501,\*M/#00501,,,,,  
13,2,,172156-81400,, "SHIM 25-45",2,2,2,2,,,,,,,,,,,,,  
14,2,,24761-020000,, "NIPPLE PT1/8,GREASE",2,2,2,2,,,,,,,,,,,,,  
15,2,,172156-81330,, "PIN, BOOM 25X124",2,2,2,2,,,,,,,,,,,,,  
16,2,,172155-81390,, "COTTER PIN 6X 35",2,2,2,2,,,,,,,,,,,,,  
17,1,,24761-020000,, "NIPPLE  
PT1/8,GREASE",2,2,2,2,,,W,\*M/#00501,\*M/#00501,\*M/#00501,\*M/#00501,,,  
18,1,,172453-81200,, "ARM,880 (GREEN:85)",1,,,,,3,,,,,,,,,,,,,  
19,2,,172157-81360,, "BUSH 25 35 A, PIN",6,,,,,,,,,,,,,  
20,1,,172157-84450,, "LINK",1,1,,,,,4,,,,,,,,,,,,,  
21,2,,172157-81360,, "BUSH 25 35 A, PIN",2,2,,,,,,,,,,,,,  
22,2,,172157-81370,, "BUSH 25 35, PIN",2,2,,,,,,,,,,,,,





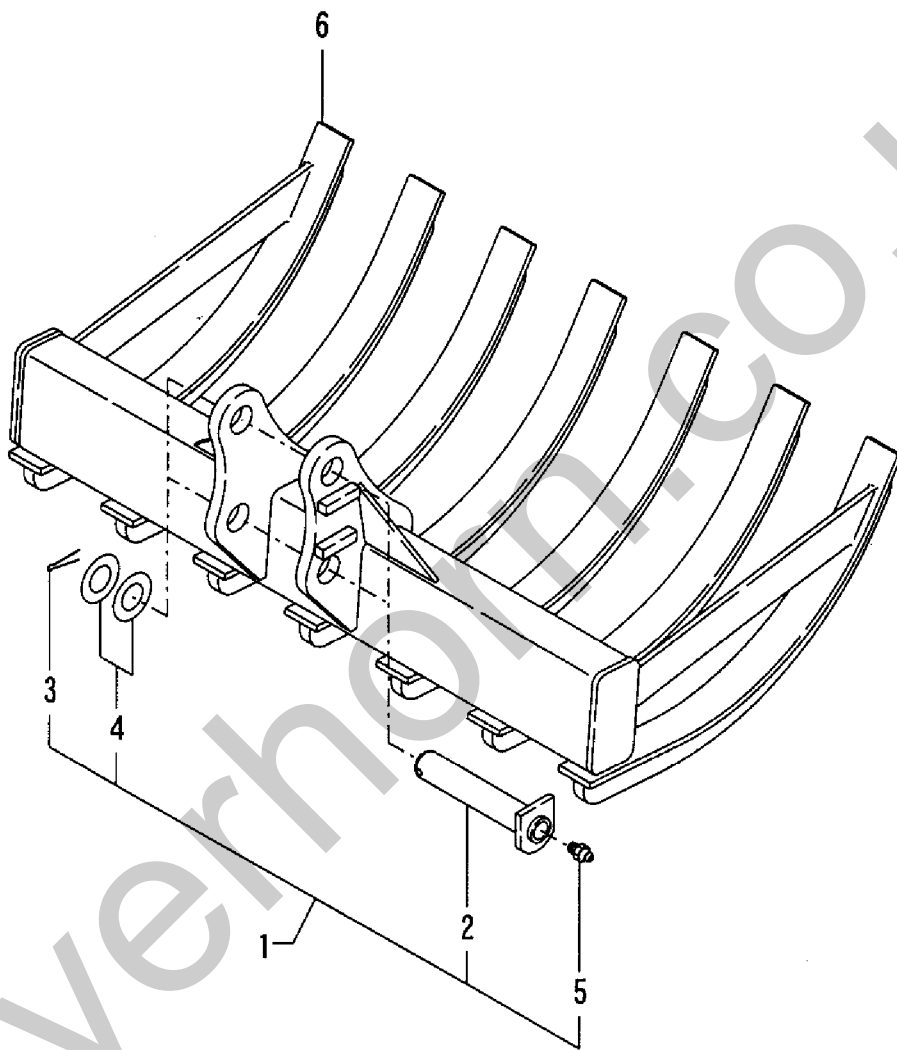
1,1,,172156-99450,, "PIN KIT, BUCKET",2,2,2,2,,,,,,,,,,,,,  
2,2,,172156-81330,, "PIN, BOOM 25X124",2,2,2,2,,,,,,,,,,,,,  
3,2,,172155-81390,, "COTTER PIN 6X 35",2,2,2,2,,,,,,,,,,,,,  
4,2,,172156-81400,, "SHIM 25-45",2,2,2,2,,,,,,,,,,,,,  
5,2,,24761-020000,, "NIPPLE PT1/8,GREASE",2,2,2,2,,,,,,,,,,,,,  
6,1,,172157-81400,, "BUCKET 350 (GRAY:83)",1,1,1,1,,,,,,,,,,,,,  
7,2,,172137-86240,, "TEETH, SIDE",2,2,2,2,,,,,,,,,,,,,  
8,2,,172110-89130,, "TEETH,3,3,3,3",,,,,,,,,,,,,,  
9,1,,172157-81510,, "BUCKET 250(GREEN:97)",1,1,,,,,1,,,,,,,,,,,,,  
10,2,,172137-86240,, "TEETH, SIDE",2,2,,,,,,,,,,,,,  
11,2,,172110-89130,, "TEETH,3,3",,,,,,,,,,,,,,  
12,1,,172157-81500,, "BUCKET 400(GREEN:97)",1,1,,,,,1,,,,,,,,,,,,,  
13,2,,172137-86240,, "TEETH, SIDE",2,2,,,,,,,,,,,,,  
14,2,,172110-89130,, "TEETH,3,3",,,,,,,,,,,,,,  
15,1,,172157-86500,, "BUCKET,1,1,,,,,1",,,,,,,,,,,,,,  
16,2,,172137-86240,, "TEETH, SIDE",2,2,,,,,,,,,,,,,  
17,2,,172110-89130,, "TEETH,2,2",,,,,,,,,,,,,,

Silverhorn.CO.UK



1,1,,172156-99450,, "PIN KIT, BUCKET",2,,,,,,,,,,,,,,,,,,,,,  
2,2,,172156-81330,, "PIN, BOOM 25X124",2,,,,,,,,,,,,,,,,,,,,,  
3,2,,172155-81390,, "COTTER PIN 6X 35",2,,,,,,,,,,,,,,,,,,,,,  
4,2,,172156-81400,, "SHIM 25-45",2,,,,,,,,,,,,,,,,,,,,,  
5,2,,24761-020000,, "NIPPLE PT1/8,GREASE",2,,,,,,,,,,,,,,,,,,,,,  
6,1,,172453-81400,, "BUCKET ASSY 700,FORK",1,,,,,,,,,,,,,,,,,,,,,

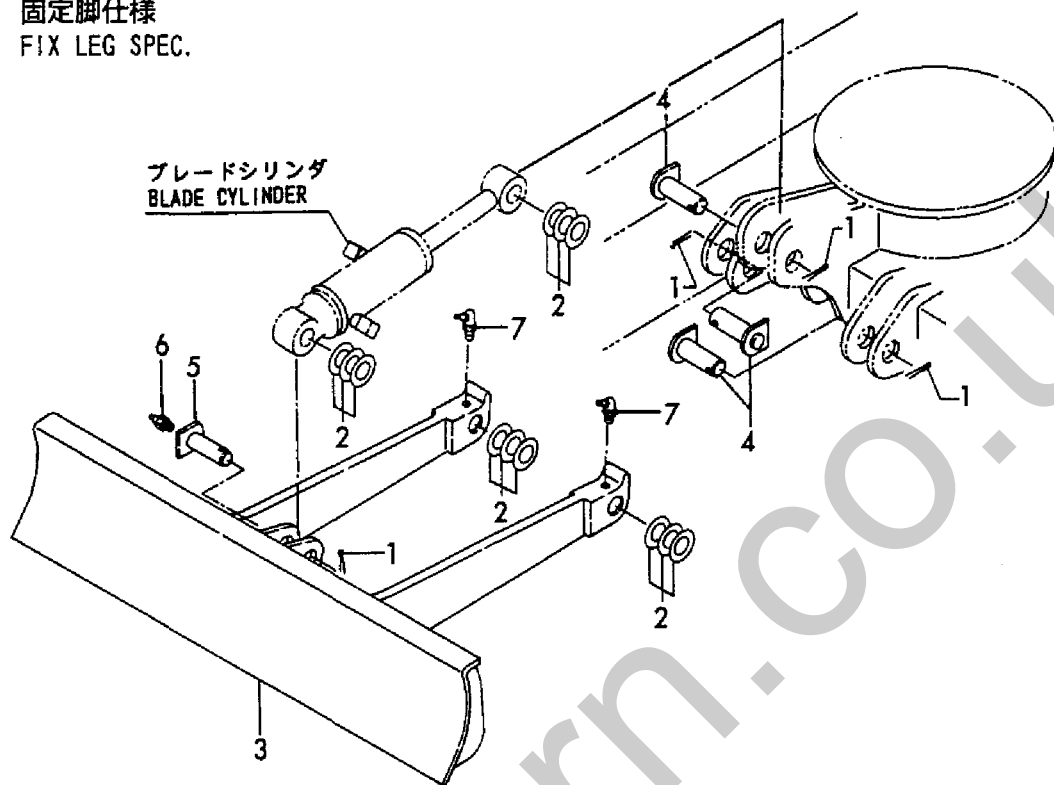
Silverhorn.CO.UK



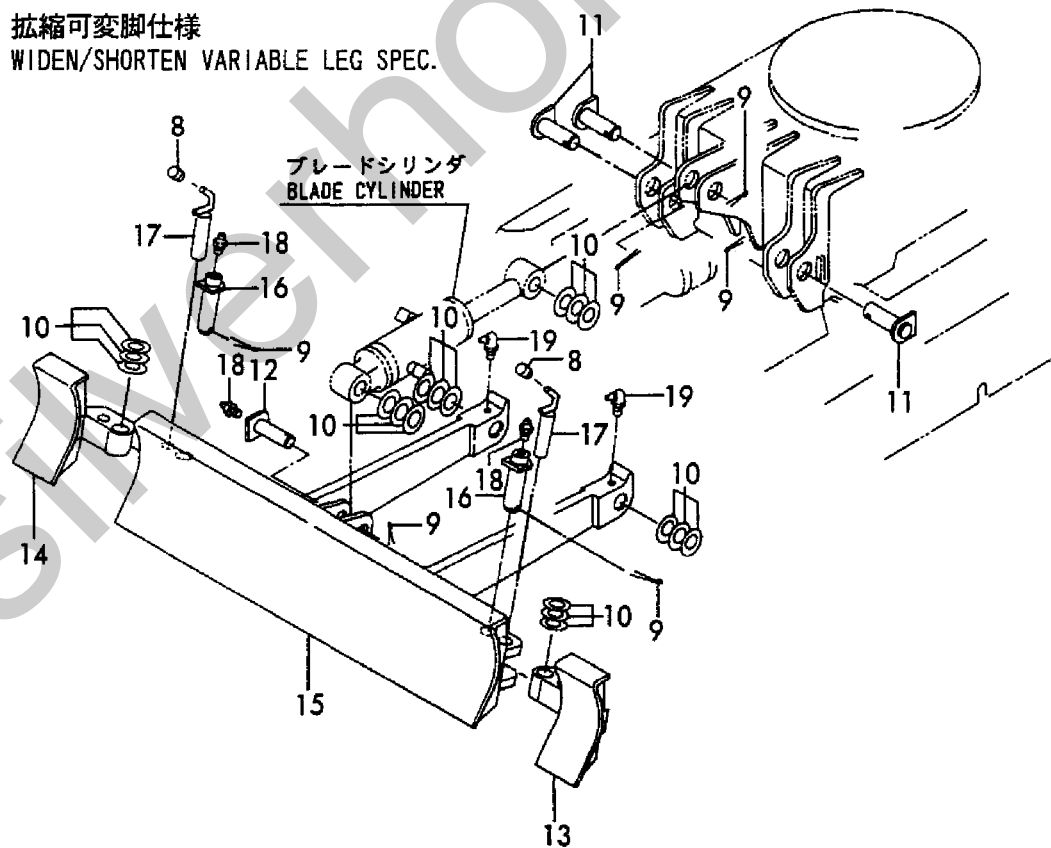
1,1,,172155-81390,,"COTTER PIN 6X 35",4,4,4,4,,,,,,,,,,,,,  
2,1,,172156-81400,,"SHIM 25-45",4,4,4,4,,,,,,,,,,,,,  
3,1,,172157-94100,,"BLADE ASSY",1,1,1,1,,,,,,,,,,,,,  
4,1,,172156-94250,,"PIN 25X 59A",3,3,3,3,,,,,,,,,,,,,  
5,1,,172156-94270,,"PIN 25X 59B",1,1,1,1,,,,,,,,,,,,,  
6,1,,24761-020000,,"NIPPLE PT1/8,GREASE",1,1,1,1,,,,,,,,,,,,,  
7,1,,24761-040000,,"NIPPLE B,GREASE",2,2,2,2,,,,,,,,,,,,,  
8,1,,172157-58830,,"KNOB 6.5X18X35",2,2,2,2,,,,,,,,,,,,,  
9,1,,172155-81390,,"COTTER PIN 6X 35",6,6,6,6,,,,,,,,,,,,,  
10,1,,172156-81400,,"SHIM 25-45",6,6,6,6,,,,,,,,,,,,,  
11,1,,172156-94250,,"PIN 25X 59A",3,3,3,3,,,,,,,,,,,,,  
12,1,,172156-94270,,"PIN 25X 59B",1,1,1,1,,,,,,,,,,,,,  
13,1,,172157-94500,,"BLADE(L)",1,1,1,1,,,,,,,,,,,,,  
14,1,,172157-94510,,"BLADE(R)",1,1,1,1,,,,,,,,,,,,,  
15,1,,172157-94600,,"BLADE ASSY",1,1,1,1,,,,,,,,,,,,,  
16,1,,172157-94720,,"PIN 25X 65",2,2,2,2,,,,,,,,,,,,,  
17,1,,172157-94760,,"PIN 20",2,2,2,2,,,,,,,,,,,,,  
18,1,,24761-020000,,"NIPPLE PT1/8,GREASE",3,3,3,3,,,,,,,,,,,,,  
19,1,,24761-040000,,"NIPPLE B,GREASE",2,2,2,2,,,,,,,,,,,,,

Silverhorn.CO.UK

固定脚仕様  
FIX LEG SPEC.



拡縮可変脚仕様  
WIDEN/SHORTEN VARIABLE LEG SPEC.



0,Y00K2693  
1,001,, "VEHICLE SECTION (B08)"  
2,1,, LABEL(JP), "B08 G", "B08 Y", "B08 EX", "B08 AY"  
2,2,, LABEL(EX), "B08 G", "B08 Y", "B08 EX", "B08 AY"  
2,3,, LABEL(AI), "B08 G", "B08 Y", "B08 EX", "B08 AY"  
2,4,, "SAFETY LABEL(JP)", "B08 G", "B08 Y", "B08 EX", "B08 AY"  
2,5,, "SAFETY LABEL(EX)", "B08 G", "B08 Y", "B08 EX", "B08 AY"  
2,6,, "SAFETY LABEL(AI)", "B08 G", "B08 Y", "B08 EX", "B08 AY"  
2,7,, TOOL, "B08 G", "B08 Y", "B08 EX", "B08 AY"  
2,8,, "SUC. PIPE & EXH. PIPE", "B08 G", "B08 Y", "B08 EX", "B08 AY"  
2,9,, ACCELERATOR, "B08 G", "B08 Y", "B08 EX", "B08 AY"  
2,10,, "ENGINE MOUNT", "B08 G", "B08 Y", "B08 EX", "B08 AY"  
2,11,, "RADIATOR & MOUNT", "B08 G", "B08 Y", "B08 EX", "B08 AY"  
2,12,, "FUEL TANK & FUEL LINE", "B08 G", "B08 Y", "B08 EX", "B08 AY"  
2,13,, BATTERY, "B08 G", "B08 Y", "B08 EX", "B08 AY"  
2,14,, "ELECTRIC PART", "B08 G", "B08 Y", "B08 EX", "B08 AY"  
2,15,, "ROLLER, IDLER & CRAWLER", "B08 G", "B08 Y", "B08 EX", "B08 AY"  
2,16,, "ROLLER, IDLER & CRAWLER (LOTUS ROOT SPEC.)", "B08 G", "B08 Y", "B08 EX", "B08 AY"  
2,17,, "CONTROL EQUIPMENT (LINK STAND & STOPPER)", "B08 G", "B08 Y", "B08 EX", "B08 AY"  
2,18,, "CONTROL EQUIPMENT (OPERATION)", "B08 G", "B08 Y", "B08 EX", "B08 AY"  
2,19,, "CONTROL EQUIPMENT (DRIVE & SWING)", "B08 G", "B08 Y", "B08 EX", "B08 AY"  
2,20,, "CONTROL EQUIPMENT (BLADE)", "B08 G", "B08 Y", "B08 EX", "B08 AY"  
2,21,, "CONTROL EQUIPMENT (P.T.O.)", "B08 G", "B08 Y", "B08 EX", "B08 AY"  
2,22,, "TRACK FRAME (FIX LEG SPEC.)", "B08 G", "B08 Y", "B08 EX", "B08 AY"  
2,23,, "TRACK FRAME (LOTUS ROOT SPEC.)", "B08 G", "B08 Y", "B08 EX", "B08 AY"  
2,24,, "TRACK FRAME (WIDEN/SHORTEN VARIABLE LEG : 1/2)", "B08 G", "B08 Y", "B08 EX", "B08 AY"  
2,25,, "TRACK FRAME (WIDEN/SHORTEN VARIABLE LEG : 2/2)", "B08 G", "B08 Y", "B08 EX", "B08 AY"  
2,26,, "TURNING FRAME", "B08 G", "B08 Y", "B08 EX", "B08 AY"  
2,27,, "FRAME COVER & INSTRUMENT PANEL", "B08 G", "B08 Y", "B08 EX", "B08 AY"  
2,28,, "SEAT & BONNET", "B08 G", "B08 Y", "B08 EX", "B08 AY"  
2,29,, "HYD.OIL PUMP & JOINT", "B08 G", "B08 Y", "B08 EX", "B08 AY"  
2,30,, "BOOM CYLINDER", "B08 G", "B08 Y", "B08 EX", "B08 AY"  
2,31,, "ARM CYLINDER", "B08 G", "B08 Y", "B08 EX", "B08 AY"  
2,32,, "BUCKET CYLINDER", "B08 G", "B08 Y", "B08 EX", "B08 AY"  
2,33,, "SWING CYLINDER", "B08 G", "B08 Y", "B08 EX", "B08 AY"  
2,34,, "BLADE CYLINDER", "B08 G", "B08 Y", "B08 EX", "B08 AY"  
2,35,, "WIDEN/SHORTEN CYLINDER", "B08 G", "B08 Y", "B08 EX", "B08 AY"  
2,36,, "DRIVING MOTOR", "B08 G", "B08 Y", "B08 EX", "B08 AY"  
2,37,, "TURNING MOTOR", "B08 G", "B08 Y", "B08 EX", "B08 AY"  
2,38,, "HYD.OIL TANK", "B08 G", "B08 Y", "B08 EX", "B08 AY"  
2,39,, "SWIVEL JOINT", "B08 G", "B08 Y", "B08 EX", "B08 AY"  
2,40,, "CONTROL VALVE (PUMP PORT)", "B08 G", "B08 Y", "B08 EX", "B08 AY"  
2,41,, "CONTROL VALVE (DRIVING & TURNING)", "B08 G", "B08 Y", "B08 EX", "B08 AY"  
2,42,, "CONTROL VALVE (SWING & BOOM)", "B08 G", "B08 Y", "B08 EX", "B08 AY"  
2,43,, "CONTROL VALVE (ARM & BUCKET)", "B08 G", "B08 Y", "B08 EX", "B08 AY"  
2,44,, "CONTROL VALVE (BLADE & P.T.O.)", "B08 G", "B08 Y", "B08 EX", "B08 AY"  
2,45,, "CONTROL VALVE (WIDEN/SHORTEN VARIABLE LRG)", "B08 G", "B08 Y", "B08 EX", "B08 AY"  
2,46,, "HYD.OIL PIPING (TANK - PUMP - VALVE)", "B08 G", "B08 Y", "B08 EX", "B08 AY"  
2,47,, "HYD.OIL PIPING (TURNING FRAME : FIX LEG SPEC.)", "B08 G", "B08 Y", "B08 EX", "B08 AY"  
2,48,, "HYD.OIL PIPING (TURNING FRAME : WIDEN/SHORTEN VARIABLE LEG SPEC.)", "B08 G", "B08 Y", "B08 EX", "B08 AY"  
2,49,, "HYD.OIL PIPING (RETURN)", "B08 G", "B08 Y", "B08 EX", "B08 AY"  
2,50,, "HYD.OIL PIPING (DRIVING FRAME : FIX LEG SPEC.)", "B08 G", "B08 Y", "B08 EX", "B08 AY"  
2,51,, "HYD.OIL PIPING (DRIVING FRAME : LOTUS ROOT SPEC.)", "B08 G", "B08 Y", "B08 EX", "B08 AY"  
2,52,, "HYD.OIL PIPING (DRIVING FRAME : WIDEN/SHORTEN VARIABLE LEG SPEC.)", "B08 G", "B08 Y", "B08 EX", "B08 AY"

2,53,, "HYD.OIL PIPING(BOOM)", "B08 G", "B08 Y", "B08 EX", "B08 AY"  
2,54,, "HYD.OIL PIPING(P.T.O.,FRAME END)(OPTIONAL)", "B08 G", "B08 Y", "B08 EX", "B08 AY"  
2,55,, "HYD.OIL PIPING(P.T.O.,BOOM END)(OPTIONAL)(PREVIOUS)", "B08 G", "B08 Y", "B08 EX", "B08 AY"  
2,56,, "HYD.OIL PIPING(P.T.O.,BOOM END)(OPTIONAL)(NEW)", "B08 G", "B08 Y", "B08 EX", "B08 AY"  
2,57,, GREASING, "B08 G", "B08 Y", "B08 EX", "B08 AY"  
2,58,, "BOOM & BOOM BRACKET", "B08 G", "B08 Y", "B08 EX", "B08 AY"  
2,59,, "ARM & BUCKET LINK", "B08 G", "B08 Y", "B08 EX", "B08 AY"  
2,60,, BUCKET, "B08 G", "B08 Y", "B08 EX", "B08 AY"  
2,61,, "BUCKET(LOTUS ROOT SPEC.)", "B08 G", "B08 Y", "B08 EX", "B08 AY"  
2,62,, BLADE, "B08 G", "B08 Y", "B08 EX", "B08 AY"

Silverhorn.CO.UK



[ Info ]  
PcNo=Y00K2693  
PcName=B08 (JP, EX, AY)  
JpnUse=1  
JpnSec1=㊦<@  
JpnSec2=f0fbfNfz [   
JpnSec3=B  
JpnPreface=1  
EngUse=1  
EngSec1=CONSTRUCTION  
EngSec2=EXCAVATOR (B)  
EngSec3=B  
EngPreface=1

Silverhorn.CO.UK